

Operation Manual

Infrared Heater (61986, 61987)



Illustration similar, may vary depending on model

Read and follow the operating instructions and safety information before using for the first time.

Technical changes reserved!

Due to further developments, illustrations, functioning steps and technical data can differ insignificantly.

Updating the documentation

If you have suggestions for improvement or have found any irregularities, please contact us.



The information contained in this document is subject to change without prior notice. No part of this document can be copied or duplicated in another form without the prior written consent of WilTec Wildanger Technik GmbH. The WilTec Wildanger Technik GmbH assumes no liability for any errors in this user manual or the connection diagram.

Although WilTec Wildanger Technik GmbH has made every effort to make sure that this user manual is complete, accurate and updated, errors cannot always be avoided. In the event of problems with this user manual please complete and send this form back to us.

FAX-notification (+++49 2403 55592-15),

from: _____

Name: _____

Firm: _____

Tel/Fax: _____

I would like to report the following mistakes:

Customer Service WilTec Wildanger Technik GmbH

e-mail: service@WilTec.info

Tel: ++49 2403 55592-0

Introduction

Thank you for purchasing this quality product. **To minimize the risk of injury we urge that our clients take some basic safety precautions when using this device. Please read the operation instructions carefully and make sure you have understood its content.**

Leave the maintenance, adjustment and repair to qualified technical personnel. In case of unauthorised intervention, the 2-year warranty is no longer valid! Keep these operation instructions safe.

© by WilTec Wildanger Technik GmbH

<http://www.WilTec.de>

<http://www.aoyue.eu>

<http://www.teichtip.de>

Seite 13

Safety Instructions (A+B)

A-Electrical Connection Safety

- Check whether your appliance and power cord are damaged before operating your appliance.
- Check whether there is any crack, disjoint or scratch on the filament (heating tube). If any, contact with your authorized technical service.
- If your appliance or power cord is damaged, do not operate your appliance and return it to your technical service.
- Make sure that the main electricity circuit is 220-240V and 110-120V, 50-60Hz and the connection is fused.
- Check the safety of the network. The fuse must be 25A.
- Do not use your infrared heater together with another appliance plugged to the same multiple sockets or connected to the same fuse.
- Use your appliance with a properly earthed plug.
- The earthed plug must fall outside heating field and hot surface.
- The power cord must not be left on or around the frame of your infrared appliance.
- Unplug your appliance when you won't operate it for a long term or will conduct cleaning or maintenance.
- The damaged heater glass must be exchanged.
- If the cable of the heater should be damaged, this may be replaced only by the authorized service.
- It has to be notified that the mounting in the bath must be so that the persons in the bath can not reach the controls.
- It has to be notified that the product has to be installed at a dry location and may not be wet.

B-Safe distances required for installation on the wall, high temperature and fire protection

- Attention! The appliance must only be operated in a horizontal position with $\max \pm 15^\circ$ slope. In case of operations in angles larger than 5° in horizontal position or of vertical operations, the heating loop wire may fall into disuse shortly.
- Never install your appliance on a combustible surface (carton etc.)
The distance of your appliance from the ground is to min 1.8 m (6 feet).
- The distance of your appliance from the ceiling is to be min 0.7 m (2.5 feet).
- The distance of your appliance from the living beings is to be min 1 m (3.5 feet).
- The distance of heating area of your appliance from the materials such as wood, carton, cloth etc., must be min 1 m (3.5 feet).
- Do not cover your appliance and do not hang any clothing over the heater or do not place any clothing on or near the appliance.
- Do not stick anything into the protective grid.
- Do not make use of your heater to light up cigarette or similar materials.
- Supervision is needed when this product is used anywhere near children. The appliance is not intended for use by children or other persons without assistance or supervision if their physical, sensory or mental capabilities prevent them from using it safely.
- Risk of Fire-keep combustible material such as furniture, papers, cloths, and curtains at least 0.9 m (3 feet) from the front of the heater and away from the sides and rear.

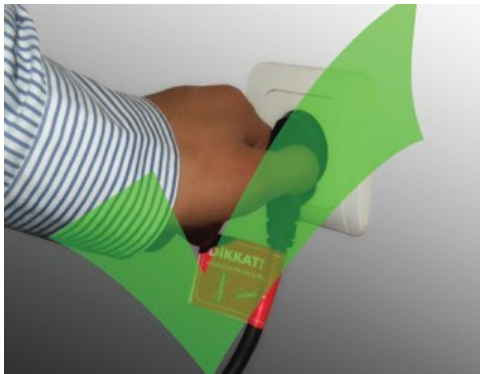
Warning-TO REDUCE THE RISK OF FIRE

- 1) Do not place any objects such as furniture, papers, cloths, and curtains at least 0.9m (3 feet) from the front of the heater and away from the sides and rear when the heater is plugged in.
- 2) Do not place the heater near a bed because objects such as pillows or blankets can fall off the bed and be ignited by the heater.
- 3) Always unplug the heater if it is not being used.

- 4) Avoid the use of an extension cord because the extension cord may overheat and cause a risk of fire. However, if you have to use an extension cord, the cord shall be 14 AWG minimum size and rated not less than 2000 watts.
- 5) Do not operate within 7.6 m (25 feet) of flammable material.
 - Never block the front grill of the heater.
 - The heater is not suitable for hazardous locations.
Never attempt to service the heater without disconnecting its power source.

C-Cleaning and Maintenance Instructions

- Unplug your heater first.



Unplug power cable



Never pull your power cable to
unplug your heater

- Take out the front grid to clean the reflector (reflecting mirror) and the filament and apply the instructions.

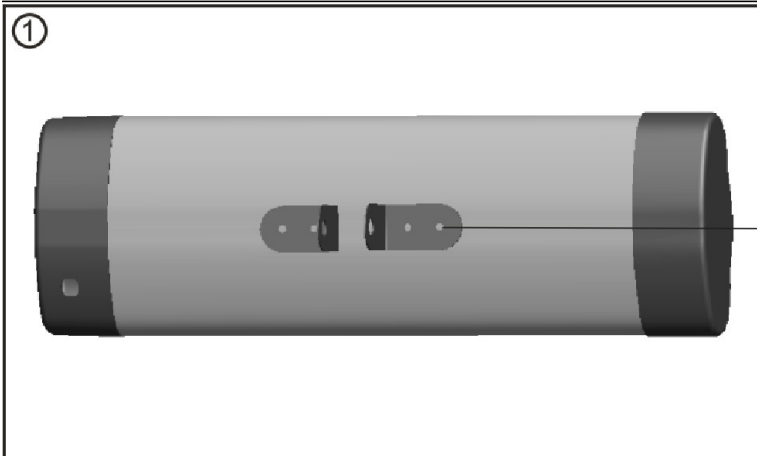
Repair and Service

- **Attention!** Only technical services and persons authorized may serve, repair and replace the parts of this heater.

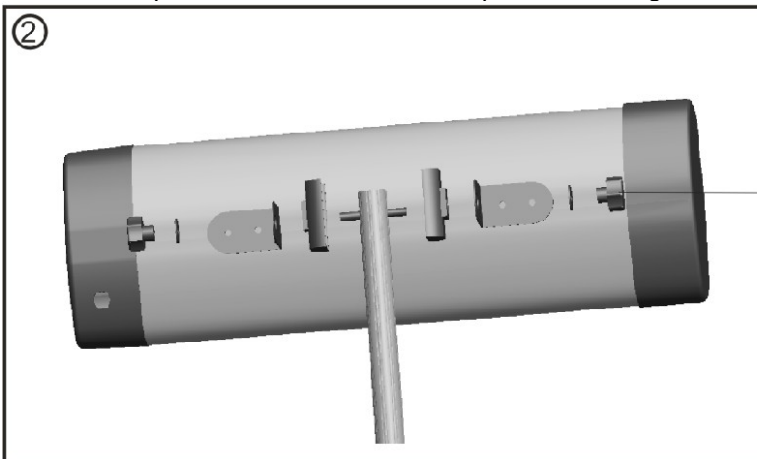
Distinguished Customer:
Please read safety instructions carefully for the security of you, your family and your belongings before operating your appliance.

Installation Installation Instructions

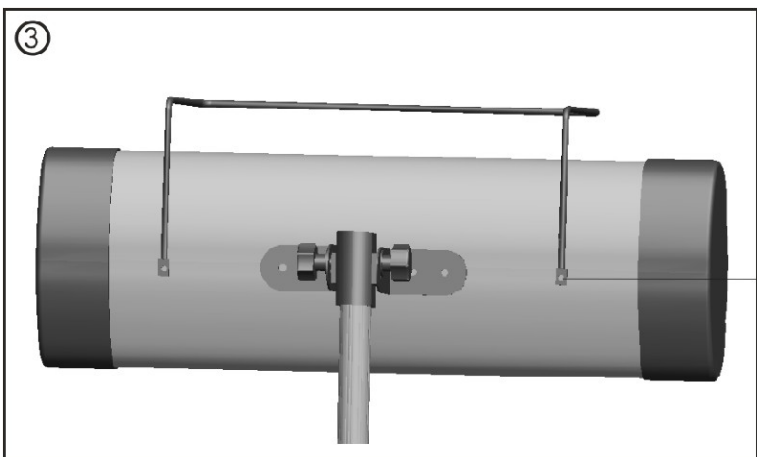
Installation on the wall: Attention! The appliance must be installed on the solid surfaces like concrete and metal.
Never install on flammable surfaces!



1. Install the product fixed bracket to the products, using four M5X10 screw fixed stent products.



2. Make the fixed knob on the pipe loosen, make the product holder according to the figure (2) sets on the pipe component



Make the handle match with aluminum alloy backboard hole site, take 2 * M5 screw to fix the handle

Using steps

Step 1 : Connect the power line and the power strip

Step 2 : Press Open/Close once, the digital screen shows P.0

Step 3 : Press Open/Close second, the digital screen shows P.1, the function of a file connected

Step 4 : Press Open/Close third, the digital screen shows P.2, the function of two file connected

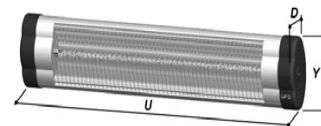
Step 5 : Press Open/Close forth, the digital screen shows P.3, the function of three file connected

Step 6 : After the function is on, 1-24 hours timing shutdown can be adjusted arbitrarily, the digital screen showing 0.1 indicates timing one hour, showing 0.2 indicates timing two hour.



5. Application Fields

Application fields of Infrared Line and Infrared Star models



Technical Information-Heating Area / Size

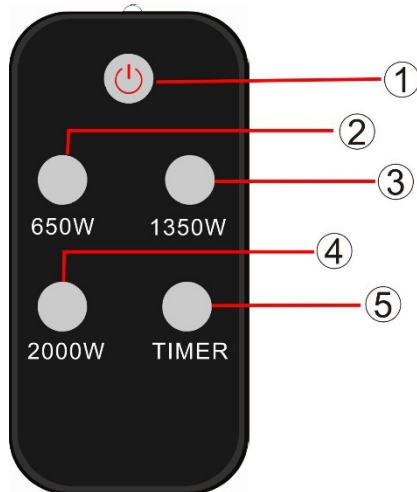
Product Name / Model / Volt / Watt / Heating Area / Size

Voltage	AC220V-240V~
Frequency	50Hz
Electric power(W)	2000W

Operating Instructions

Definitions of the Buttons on the Remote Control

The functions of the heater may be controlled via the buttons on your remote control and LED screen. You may also control some of the functions of your heater through the buttons on the front side of the heater.



Remote Control

1. On / Off
Switches on or off the heater or stands it by.
2. First gear
After turn on the heater, you can choose low heating.
3. Second gear
After turn on the heater, you can choose moderate heating.
4. Third gear
After turn on the heater, you can choose high heating.
5. Timer Off
Switches off the heater in present time and starts stand by mode.

Operation of the Remote Control

1. Turn on the power, the buzzer on the products will beep once, the digital screen and the indicator is no show. At this time, press On / Off button to make it in stand by mode.

2. Press the function button to choose the power level. P0 indicator appears on the screen, and the indicator flashes three times, indicating that the appliance is in stand by mode. P1 indicator appears on the screen, and the indicator flashes three times, indicating that the appliance is in low-grade mode.

Press the function button again to mid-grade, the buzzer will beep once, P2 indicator appears on the screen, and the indicator flashes three times, indicating that the appliance is in mid-grade mode. Press the function button again to high-grade, the beeper will beep once, P3 indicator appears on the screen, and the indicator flashes three times, indicating that the appliance is in high-grade mode.

Press the function button again, you can choose low, medium and high gear, P0 indicator appears on the screen, and the indicator flashes three times, indicating that the appliance is in stand by mode. Continuously press the function button, "P0 - P1 - P2 - P3 - P0" appears on the digital tube as a circulation, corresponding to the appliance mode is "Stand-by ---Low-grade---Mid-grade---High-grade---Stand-by".

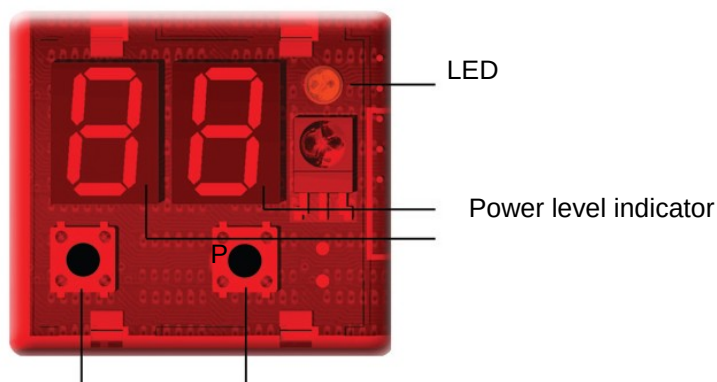
3. In stand by mode, press the timer button, the appliance can set time from 1 to 24 hours. After set the time, the indicator next to the digital tube will light up, it means that the appliance has been selected timer function. "0" indicates time not set.

4. When the appliance is on working, the digital screen always shows the power state (P1-P2-P3). The timer setting, when the indicator lights up, it means that the machine has been set a timer function from 1 to 24 hours. To view the regular time, press the timer button, the appearing time is the present setting time, at this time the indicator also flashes three times continuously, indicating that the appliance enters into the timer setting state.

Manual Operation

Control through the main module on the heater:

- P0 indicator appears on the screen when the heater is switched on and it is in stand by mode.
- The 1st digit on the screen illustrates P symbol while 2nd digit illustrates power level mode from 1 to 3.
- The button number 1 on the heater functions as ON / OFF. The heater starts operating at the power level mode at which it has been switched off.
- Press the button number timer on the heater to adjust power mode.
- P0 appears on the screen when pressed ON / OFF button and the power level mode (P1, P2, P3) can be adjusted through the buttons on the remote control.
- Press ON / OFF button on the remote control or the heater itself to switch off the heater.
- The heater starts functioning in stand by mode after electricity cut.
- LED keeps flashing in case of a program set by remote control.
- Buzzer signal is given following each command.



ON/OFF/Power mode button Timer button

Cleaning and Maintenance Instructions

Maintenance

Attention! Careful and regular maintenance of Infrared Heater considering our instructions assume great importance so as to attain a long and efficient operation of your appliance.

- 1- Check the filthiness of the Reflector and IR-Filament at least once a month. If necessary, apply cleaning and maintenance instructions.
- 2- The number of checks may be increased considering the amount of the dust in the environment.
- 3- Check the deformation of the Reflector, Wire and Frame visually while cleaning the appliance. In case of any deformation, consult to your technical service.
- 4- Check the power cord and plug visually while cleaning the appliance. In case of any deformation, consult to your technical services.
- 5- It is recommended to change the reflector every 2 years for the purpose of more efficient operation of your appliance.



Cleaning

Attention! Regular and careful cleaning helps your heater operate for longer years and more efficiently.

- 1- Unplug your power cord for your safety before cleaning your appliance.
- 2- Take out the front grid wire through the inlets on the frame using a slotted screwdriver.
- 3- Make sure that the power is off for your safety. Power cord plug must be unplugged.
- 4- The reflector and filament must be cleaned with a soft cloth, a smooth brush or cool or dry air. The cloth may be damp but never too wet and the cleaner should not include any chemical.
- 5- Refrain from using cleaning material likely to damage the reflector (cleanser etc.).
- 6- Insert the wire grid using a slotted screwdriver.

Technical Service

Attention! Only technical services and persons authorized may serve, repair and replace the spare parts of this heater.

Points to be considered before shipping the product to the technical service:

- 1- Make sure that the thermostat of your appliance is in "0" mode.
- 2- Make sure that the plug, to which the appliance is connected, has power, check the fuse and power cord. If the plug lacks power, consult to an electrician.
- 3- Make sure that the appliance has been installed in accordance with the instructions in the manual. If the installation is inaccurate, consult to technical service.

Disposal regulations

EU guidelines regarding the disposal of scrap electric appliances (WEEE, 2012/19/EU) were implemented in the law related to electrical and electronic equipment and appliances.

All WilTec electric devices that fall under the WEEE regulations are labelled with the crossed-out wheeled waste bin logo. This logo indicates that this electric equipment must not be disposed with the domestic waste.

The company WilTec Technik GmbH has been registered in the German registry EAR under the WEEE-registration number DE45283704.

Disposal of used electrical and electronic appliances (intended for use in the countries of the European Union and other European countries with a separate collection system for these appliances).

The logo on the article or on its packaging points out that this article must not be treated as normal household waste but must be disposed to a recycling collection point for electronic and electrical waste equipment. By contributing to the correct disposal of this article you protect the environment and the health of your fellow men. Environment and health are threatened by inappropriate disposal.



Materials' recycling helps reduce the consumption of raw materials.

Additional information on recycling this article can be provided by your local community, municipal waste disposal facilities or the store where you purchased the article.

Address:
WilTec Wildanger Technik GmbH
Königsbenden 12 / 28
D-52249 Eschweiler

Important notice:

The reprint or reproduction, even of excerpts, and any commercial use, even in part of this instructions manual require the written permission of WilTec Wildanger Technik GmbH.