

## Operation Manual

# QUARTZ PATIO HEATER

ARTICLE 61988



Read and follow the operating instructions and safety information before using for the first time.

Technical changes reserved!

Due to further developments, illustrations, functioning steps and technical data can differ insignificantly.

Updating the documentation

If you have suggestions for improvement or have found any irregularities please contact us.



The information contained in this document is subject to change without prior notice. No part of this document can be copied or duplicated in another form without the prior written consent of WilTec Wildanger Technik GmbH. The WilTec Wildanger Technik GmbH assumes no liability for any errors in this user manual or the connection diagram.

Although WilTec Wildanger Technik GmbH has made every effort to make sure that this user manual is complete, accurate and updated, errors cannot always be avoided. In the event of problems with this user manual please complete and send this form back to us.

**FAX-notification (+++49 2403 55592-15),**

**from:** \_\_\_\_\_

**Name:** \_\_\_\_\_

**Firm:** \_\_\_\_\_

**Tel/Fax:** \_\_\_\_\_

**I would like to report the following mistakes:**

---

Customer Service WilTec Wildanger Technik GmbH

e-mail: [service@WilTec.info](mailto:service@WilTec.info)

Tel:++ +49 2403 55592-0

#### **Introduction**

Thank you for purchasing this quality product. **To minimize the risk of injury by means of fire or electric shock we urge that our clients take some basic safety precautions when using this device. Please read the operation instructions carefully and make sure you have understood its content.**

Always use a grounded power connection with the appropriate mains voltage. You can find the corresponding mains voltage on the type plate. If you have any doubts about the connection being grounded, have it checked by a qualified professional. Never use a faulty electric cable.

Do not inspect the electrical part of the pressure pond filter in a wet or damp environment or when you are wet yourself and protect it from direct sunlight. Install this device in a safe location so that nobody can step on the cable, fall over or damage it. Disconnect the power plug before cleaning it and use only a damp cloth for cleaning. Avoid using cleaning agents and make sure that no liquid enters the electrical part of the pump.

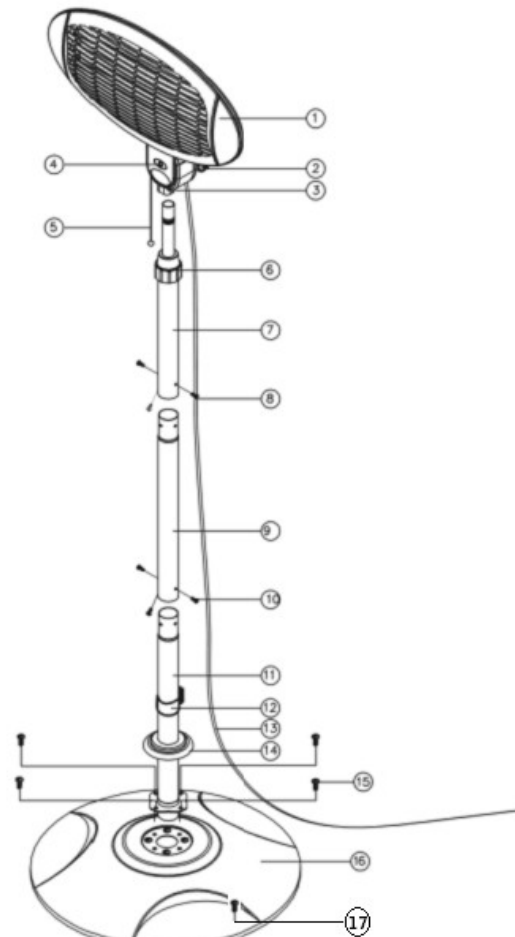
The electric part of the device contains no parts that can be inspected or serviced by the user. Leave the maintenance, adjustment and repair to qualified technical personnel. In case of unauthorised intervention the 2-year warranty is no longer valid! Keep these operation instructions safe.

## INSTRUCTION MANUAL

Thank you for purchasing this infrared heater. We hope you will be completely satisfied with this product. To ensure this, please read these instructions carefully before use and keep them in a safe place.

## PART DESCRIPTION

- 1) Heating Element Assembly
- 2) Knob
- 3) Body
- 4) Position Indication Plate  
0 = Off  
1 = Low (650W)  
2 = Medium (1300W)  
3 = High (2000W)
- 5) Pull switch
- 6) Tube Cover
- 7) Upper Post Assembly
- 8) 3-M5 X 6 Screw
- 9) Middle Post
- 10) 3-M5 X 6 Screw
- 11) Lower Post Assembly
- 12) Clamp
- 13) Power Cord
- 14) Base Cover
- 15) 4-M6 X 30 Screw
- 16) Base Assembly
- 17) Rubber base X 6pcs





## WARNINGS

- This electrical appliance complies with technical safety and electromagnetic compatibility standards.
- Never touch your heater when in operation (risk of burns).
- Never touch it with wet hands.
- Never rotate the heating part of the appliance during operation. To change the tilt angle of the heating part, we advise you to wait for 15 minutes after the appliance has been switched off.
- Never place anything on your heater's safety guard as this may cause overheating (e.g. towels)
- Never use your appliance to dry washing.
- Although the heating element has stopped glowing, it may still be live and potentially dangerous. Check that the selection indicator (5) is in position off before taking any action.
- Switch off your appliance:
  - After use
  - In the event of malfunction
  - Before cleaning it.
- Never operate your appliance if it has fallen over.
- Never dismantle your appliance. An incorrectly repaired appliance may be dangerous to the user. If you encounter any problems, please contact an authorized service partner.
- The warranty will be void in the event of damage arising from improper use.
- Do not use this heater in the immediate surrounding of a bath, a shower or a swimming pool.
- This movable appliance is designed for use in gardens, and can be used indoor and outdoor. The warranty will not apply to appliances used for professional usage. Although the heater may be used outdoors, the main plug must only be connected to the supply indoors.
- The heater is provided with an anti-tilt switch will switch off the heater if it is overturned, and will switch it on again automatically when it is restored to its upright position.

## VOLTAGE

Before using the appliance at the first time, ensure that your mains voltage corresponds to voltage indicated on the appliance. **It is a class I appliance and must be earthed.**



## SAFETY

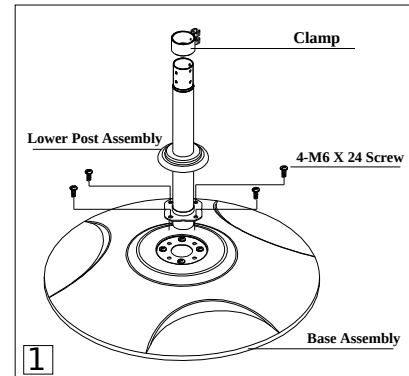
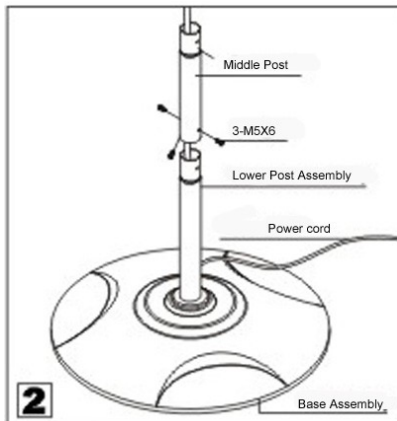
**CAUTION:** Before fitting or removing the appliance, ensure that the heater's power line supplying the heater is disconnected. Check that the power line is connected to a 30mA differential circuit breaker.

- This appliance is designed for use in gardens, and any room in your house. The installation and use of your appliance must comply with the applicable standards in your country.
- When it is switched on, an electrical heating appliance reaches very high temperature able to cause burns. Make sure that all other users are aware of the risks.
- If you have any doubts concerning installation possibilities for this heater, please consult a qualified electrician.
- Children, the elderly and the infirm may not always be aware of the danger involved in using electrical appliances. Never allow this appliance to be used without supervision.
- The appliance must be positioned so that the plug is accessible.
- If the supply cord is damaged, it must be replaced by the manufacturer or its service agent or similar qualified person in order to avoid a hazard.
- The heater must not be located immediately below a socket-outlet.
- Do not use this heater with a programmer, timer or any other device that switches the heater on automatically, since a fire risk exists if the heater is covered or positioned incorrectly.
- Do not place the appliance close to curtains and other combustible materials.

## HOW TO ASSEMBLE

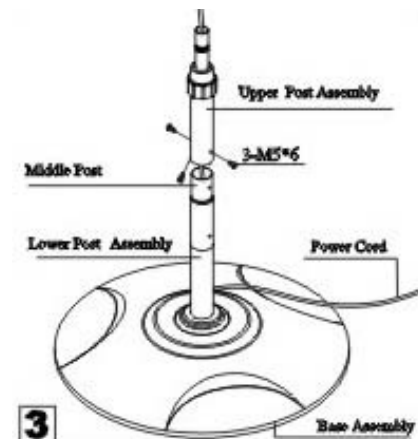
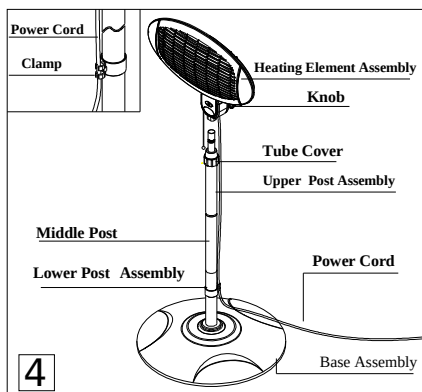
Before installing your appliance, you must disconnect the electrical supply at the circuit breaker.

- 1) Insert the lower post assembly (11) into the base assembly (16) and then fix it tightly by means of 4-M6X30 screw, and insert the clamp (12) into the lower post (11).



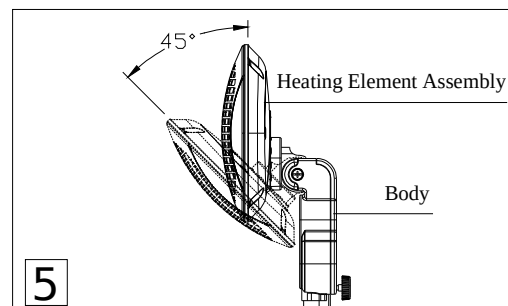
Join the Lower Post Assembly and the Middle Post (9) together with 3-M5X6 screw.

- 2) Join the Upper Post Assembly (7) and the Middle Post (9) together with 3-M5X6 screws.



- 3) Join the Heating Element Assembly (1) and the Upper Post Assembly (7) together, then fix them tightly by rotating the Knob, and put the power cord supply into the clamp.

- 4) According to the request of use angle, Heating Element Assembly can adjust Angle at 0°~45°.





## OPERATION

The appliance is switched on by means of the pull switch (5). The slight vibration noticeable when the appliance is switched on will stop after a few seconds.

## OUTPUT

- Position 0: Stop
- Position 1: 650W (lower power)
- Position 2: 1300W (medium power)
- Position 3: 2000W (high power)

## MAINTENANCE

Your appliance does not require any particular maintenance. However, in the event of a malfunction, **please consult an authorized service center.**

- 1) This appliance is not intended for use by persons (including children) with reduced physical, sensory or mental capabilities or lack of experience and knowledge, unless they have been given supervision or instruction concerning use of the appliance by a person responsible for their safety.
- 2) Children should be supervised to ensure that they do not play with the appliance.

## Disposal regulations

EU guidelines regarding the disposal of scrap electric appliances (WEEE, 2012/19/EU) were implemented in the law related to electrical and electronic equipment and appliances.

All WiITec electric devices that fall under the WEEE regulations are labelled with the crossed-out wheeled waste bin logo. This logo indicates that this electric equipment must not be disposed with the domestic waste.

The company WiITec Technik GmbH has been registered in the German registry EAR under the WEEE-registration number DE45283704.

Disposal of used electrical and electronic appliances (intended for use in the countries of the European Union and other European countries with a separate collection system for these appliances).

The logo on the article or on its packaging points out that this article must not be treated as normal household waste but must be disposed to a recycling collection point for electronic and electrical waste equipment. By contributing to the correct disposal of this article you protect the environment and the health of your fellow men. Environment and health are threatened by inappropriate disposal.



Materials' recycling helps reduce the consumption of raw materials.

Additional information on recycling this article can be provided by your local community, municipal waste disposal facilities or the store where you purchased the article.

Address:  
WiITec Wildanger Technik GmbH  
Königsbenden 12 / 28  
D-52249 Eschweiler

Important notice:

The reprint or reproduction, even of excerpts, and any commercial use, even in part of this instructions manual require the written permission of WiITec Wildanger Technik GmbH.