

# Operation Manual

## 500 kg/900 kg Pickup Crane

62021, 62023



Illustration similar, may vary depending on model

Read and follow the operating instructions and safety information before using for the first time.

Technical changes reserved!

Due to further developments, illustrations, functioning steps, and technical data can differ insignificantly.

Updating the documentation

If you have suggestions for improvement or have found any irregularities, please contact us.



The information contained in this document may alter at any time without previous notice. It is prohibited to copy or spread any parts of this document in any way without prior written allowance. All rights reserved.

The WilTec Wildanger Technik GmbH cannot be held accountable for any possible mistakes in this operating manual, nor in the diagrams and figures shown.

Even though, the WilTec Wildanger Technik GmbH has undergone biggest possible efforts to ensure that the operating manual is complete, faultless, and up to date, mistakes cannot be entirely avoided.

If you should find a mistake or wish to make a suggestion for improvement, we look forward to hearing from you.

Send an e-mail to:

[service@wiltec.info](mailto:service@wiltec.info)

or use our contact form:

<https://www.wiltec.de/contacts/>

The most recent version of this manual in various languages can be found in our online shop via:

<https://www.wiltec.de/docsearch>

Our postal address is:

WilTec Wildanger Technik GmbH  
Königsbenden 12  
52249 Eschweiler  
Germany

To return orders for exchange, repair, or other purposes, please use the following address. Attention! To allow for a smooth execution of your complaint or return, it is important to contact our customer service team before returning the goods.

Returns Department  
WilTec Wildanger Technik GmbH  
Königsbenden 28  
52249 Eschweiler

E-mail: **service@wiltec.info**

Tel: +49 2403 55592-0

Fax: +49 2403 55592-15



## Introduction

Thank you for purchasing this quality product. **To minimise the risk of injury we urge that our clients take some basic safety precautions when using this device. Please read the operation instructions carefully and make sure you have understood its content.**

Keep these operation instructions safe.

This engine crane is intended to be used to remove, install and transport automotive and light truck engines as well as engine assemblies in the lowered position within rated capacity. It must be used with an appropriately rated engine leveller, sling, and/or chains which are **NOT INCLUDED**. After removing, immediately transfer the lead to an appropriately rated work station such as an engine stand.

## Technical data

Item number		62021	62023
Max. capacity (kg)		500	900
Height (mm)	extended with max. capacity	1630	
	extended with quarter load	1860	1800
Length (mm)	loading arm with max. capacity	1010	930
	loading arm with quarter load	1380	1300
	chain and hook	260	
Material thickness of crane plate (mm)		6	7
Dimensions of plate (mm)		270×270	270×270
Drill holes of plate	Number	8	8
	Diameter	16	16
Weight (kg)		42	48

## Safety instructions

- **Keep work area clean.** Untidy work areas invite injuries.
- **Observe work area conditions.** Do not use machines in storage areas or wet locations. Do not expose to rain. Keep work area well lit.
- **Keep children away.** Children must never be allowed in the work area.
- **Store idle equipment.** When not in use, tools must be stored in a dry location to prevent rust from forming. Always lock up tools and keep them out of reach of children.
- **Use the right tool for the job to do.** This tool has been designed for certain applications. It will work better and more safely at the rate for which it was intended. Do not modify this tool and do not use it for a purpose other than that for which it is intended.
- **Dress properly.** Do not wear loose clothing or jewellery, as they can get caught in moving parts. Protective, electrically nonconductive clothes, and non-skid footwear are recommended when working. Wear long hair under an appropriate cover. Wear heavy work gloves when working. Always wear approved impact safety goggles.
- **Do not lean too far forward.** Always keep proper footing and balance.
- **Maintain tools with care.** Keep tools clean for a better and safer working. Follow instructions for lubricating and changing of accessories.
- **Stay alert.** Do not operate any tool when you are tired or under the influence of alcohol, drugs, and medicine.
- **Check for damaged parts.** Before using any tool, any part that appears damaged should be carefully checked to determine if it will operate properly and perform its intended function.



- **Spare parts and accessories.** When maintaining the device, only use identical and original spare parts. Only use accessories intended for use with this tool.
- **Never exceed the maximum lifting capacity. Beware of dynamic loading!** Swinging or jerking of the load suspended on the chain of the crane may create, for a brief instant, an excess load, which may result in damage to the product, damage to the load, **SERIOUS PERSONAL INJURY**, and/or **DEATH**.
- **Maintenance.** For your safety, maintenance and repair must be performed regularly by a qualified technician. In case of any questions contact the manufacturer or an authorized service partner.
- **Not to be used for aircraft purposes!**
- **Do not attempt to move the crane when under load.** The castors are not designed to be rolled when the crane is lifting a weight.

## Maintenance

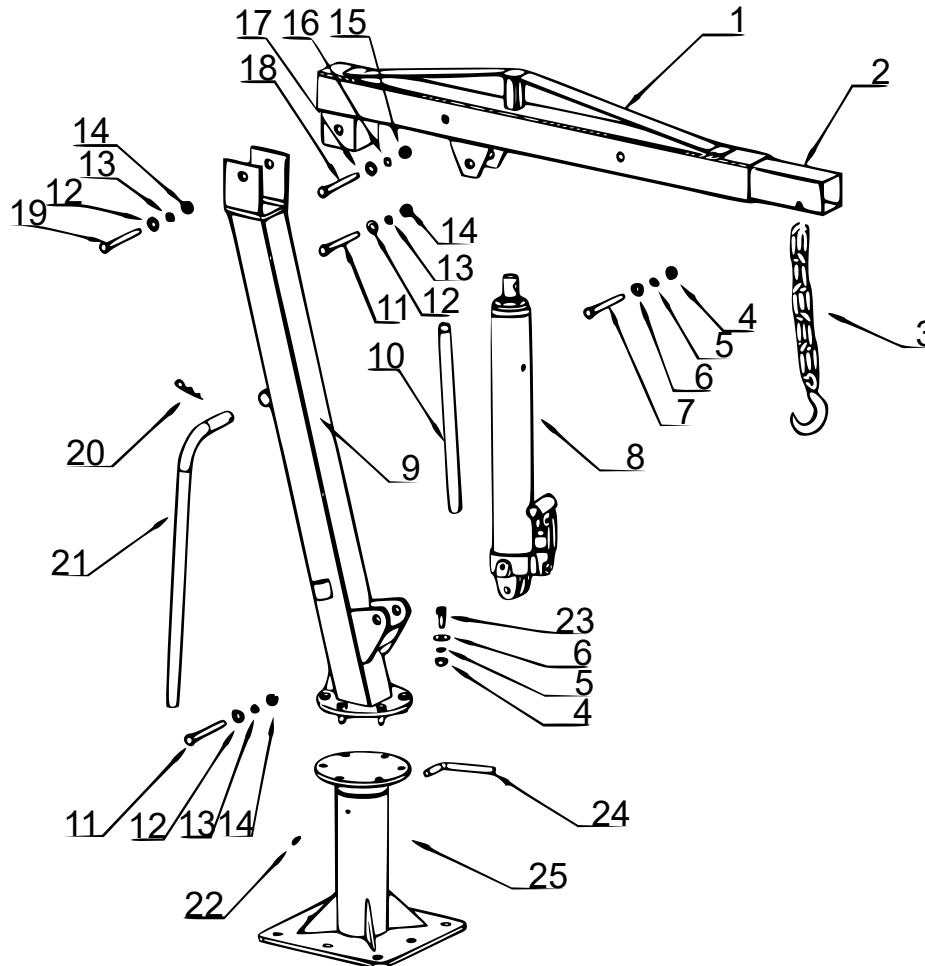
- Check all the mounting hardware before each use and make sure that the crane is safe to use.
- Make sure that the hook and chain are clean of dirt, grease, or debris.
- If the jack is not performing to satisfaction, there may be air in the hydraulic system. To purge the system of the air, proceed as follows:
  - Make sure that the ram is completely lowered.
  - Remove the oil fill plug and top up with hydraulic oil.
  - Raise the ram to maximum height.
  - Loosen the release valve and push the ram all the way down.
  - Top up with hydraulic oil, then re-place the plug. Repeat if necessary.
- To clean we recommend use of a damp cloth and mild detergent. Do not use solvents or flammable agents.
- If lifting performance of the foldable shop crane begins to diminish, check the hydraulic oil level in the oil tank. If necessary, top up with hydraulic oil.

## Operation

1. To raise the extension boom, close the release valve on the hydraulic ram. Pump the handle until the extension boom reaches the desired height.
2. To extend the length of the extension boom, remove bolt and nut. Pull out on the extension boom until the extension hole in the boom matching the desired length aligns with the hole in the extension boom. Then re-insert the bolt through the holes in the boom and extension boom and lock the bolt in place with the nut.
3. **WARNING! Do not exceed the maximum lifting capacities of this tool.** Exceeding the maximum lifting capacities could cause damage and/or injuries. **The longer the extension boom is extended, the lower is the lifting capacity of this foldable crane.**
4. Position the foldable crane so that the hook is directly above the object you wish to lift.
5. **WARNING!** Keep a safe distance to the foldable crane. Never go under an object lifted by the crane. It is possible for the hook to slip, causing an object to fall. This might result in serious damage and/or injury. Always monitor the object lifted lest it rock back and forth.
6. Open the release valve slightly to lower the hook. Attach the hook to the object to be lifted, making sure that the safety latch on the hook is fully closed. Then close the release valve and pump the handle to raise the object. Carefully move the crane to the location where you wish to lower the object, i.e., an engine stand, proper support, floor surface, etc. Then lower the object by opening the release valve slightly.
7. Once the object is fully lowered, disconnect the hook from the object. If the crane is not needed anymore, store it (in unfolded or folded condition) in a clean, dry, safe location and out of reach of children and other unauthorised people.

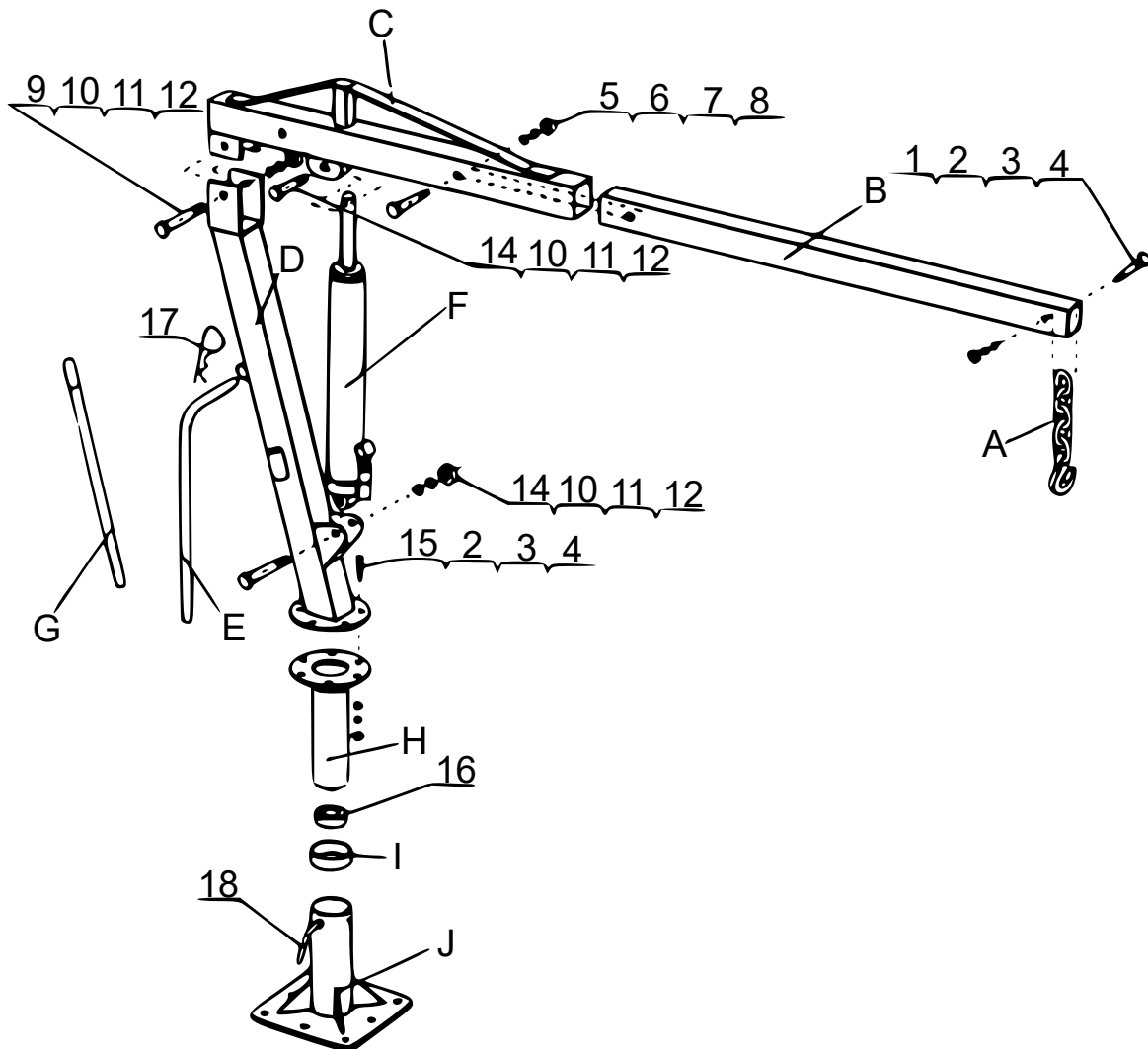
**Explosion drawing and parts list**

62021



Nº	Name	Qty.	Nº	Name	Qty.
1	Boom	1	14	Nut	3
2	Extension boom	1	15	Nut	3
3	Chain	1	16	Washer	1
4	Nut	1	17	Lock washer	1
5	Washer	1	18	Bolt	1
6	Lock washer	1	19	Bolt	1
7	Bolt	7	20	R pin	6
8	Cylinder	7	21	Handle	1
9	Support post	1	22	Grease fitting	1
10	Handle	2	23	Bolt	1
11	Bolt		24	Base	
12	Lock washer		25	Lock bolt	
13	Washer				

62023



Letter	Name	Qty.	Nº	Name	Qty.	Nº	Name	Qty.
A	Chain with hook	1	1	Bolt M12×75	1	11	Lock washer 16 mm	3
B	Extension boom	1	2	Washer 12 mm	7	12	Nut M16	3
C	Boom	1	3	Lock washer 12 mm	7	13	Bolt M16×80	1
D	Support post	1	4	Nut M12	7	14	Bolt M16×95	1
E	Handle	1	5	Bolt M14×90	1	15	Bolt M12×40	6
F	Cylinder	1	6	Washer 14 mm	1	16	Bearing	1
G	Lever	1	7	Lock washer 14 mm	1	17	“R” pin	1
H	Connection tube	1	8	Nut M14	1	18	Lock pin	1
I	Swivel-joint	1	9	Bolt M16×110	1			
J	Base	1	10	Washer 16 mm	3			

**Important notice:** The reprint or reproduction, even of excerpts, and any commercial use, even in part, of this instruction manual require the written permission of WilTec Wildanger Technik GmbH.