

Operation Manual

Pickup Truck Crane with Winch

62022, 62024



Illustration similar, may vary depending on model

Read and follow the operating instructions and safety information before using for the first time.

Technical changes reserved!

Due to further developments, illustrations, functioning steps, and technical data can differ insignificantly.

Updating the documentation

If you have suggestions for improvement or have found any irregularities, please contact us.



The information contained in this document may alter at any time without previous notice. It is prohibited to copy or spread any parts of this document in any way without prior written allowance. All rights reserved.

The WilTec Wildanger Technik GmbH cannot be held accountable for any possible mistakes in this operating manual, nor in the diagrams and figures shown.

Even though, the WilTec Wildanger Technik GmbH has undergone biggest possible efforts to ensure that the operating manual is complete, faultless, and up to date, mistakes cannot be entirely avoided.

If you should find a mistake or wish to make a suggestion for improvement, we look forward to hearing from you.

Send an e-mail to:

service@wiltec.info

or use our contact form:

<https://www.wiltec.de/contacts/>

The most recent version of this manual in various languages can be found in our online shop via:

<https://www.wiltec.de/docsearch>

Our postal address is:

WilTec Wildanger Technik GmbH
Königsbenden 12
52249 Eschweiler
Germany

To return orders for exchange, repair, or other purposes, please use the following address. Attention! To allow for a smooth execution of your complaint or return, it is important to contact our customer service team before returning the goods.

Returns Department
WilTec Wildanger Technik GmbH
Königsbenden 28
52249 Eschweiler

E-mail: **service@wiltec.info**

Tel: +49 2403 55592-0

Fax: +49 2403 55592-15



Introduction

Thank you for purchasing this quality product. **To minimise the risk of injury we urge that our clients take some basic safety precautions when using this device. Please read the operation instructions carefully and make sure you have understood its content.**

Keep these operation instructions safe.

IMPORTANT: Please read this operation manual carefully and adhere to the information and instructions found within.

This engine crane is intended for the installation, removal, and transport of automotive engines as well as light truck engines and other assemblies within its rated capacity in lowered position. It must be used with an appropriately rated engine leveller, a hoisting sling and/or chains, which are **NOT INCLUDED** in the scope of delivery. After removing an engine, immediately transfer the load to a workplace equipped with the means necessary to retain engines, such as an engine stand.

Technical specifications

Item number	Max. capacity (kg)	Lifting height (mm)	Boom range (mm)	Weight (kg)
62022	500	1380 (retracted) 1690 (with 500 kg) 1810 (with 125 kg)	680 (retracted) 890 (with 500 kg) 1220 (with 125 kg)	43.5
62024	900	0–1800	1070 (retracted) 1420 (fully extended)	48

Safety instructions

- **Keep the work area clean and well-lit.** Cluttered or dark work areas drastically increase the risk of accidents.
- **Consider the local work area conditions.** Do not use machines in storage zones or wet conditions. Do not expose the crane to rain or other sources of water.
- **Keep children away.** Always ensure that children stay away from the work area.
- **Store idle equipment.** When not in use, tools must be stored in a dry location to inhibit the development of rust. Always store tools within a safe, dry, and lockable environment inaccessible to children.
- **Always use tools intended for the task at hand.** This tool is designed for specific tasks and will always operate best when used for its intended purpose and at a pace it was designed for. This tool must not be modified or used for a purpose for which it was not intended.
- **Dress according to the task at hand.** Do not wear loose clothing or jewellery as they can get caught in moving parts. It is recommended to wear protective, electrically non-conductive clothes and non-skid footwear when working. Long hair must be tied up or contained by a snood-type cap. Additionally, make sure to wear safety gloves as well as appropriate safety goggles.
- **Do not overreach.** Always keep proper footing and balance.
- **Maintain tools with care.** Keep tools clean to ensure a better and safer performance. Follow instructions for lubricating and changing accessories.
- **Always stay alert.** Do not operate any tool when being tired or while under the influence of alcohol, drugs, or medicine.
- **Always check tools for damaged parts.** Before using a tool, any part that appears to be damaged should be carefully checked to determine if it will operate properly and be capable of serving its intended purpose.
- **Replacement parts and accessories.** When performing maintenance, only use identical and original spare parts. Only use accessories intended for use with this tool.
- **Never exceed the maximum lifting capacity. Beware of dynamic loading!** Swinging or sudden jerking of a load while being attached to the chain of the crane may lead to a temporary



excess load, which may cause damage to the device, its load as well as its surroundings and might further lead to severe injuries or even death.

- Maintenance. For your safety, service and maintenance work must be performed on regular basis and by a qualified technician. In case of any questions contact the manufacturer or an authorized service partner.
- **This crane is not intended for lifting aircraft parts!**

Maintenance

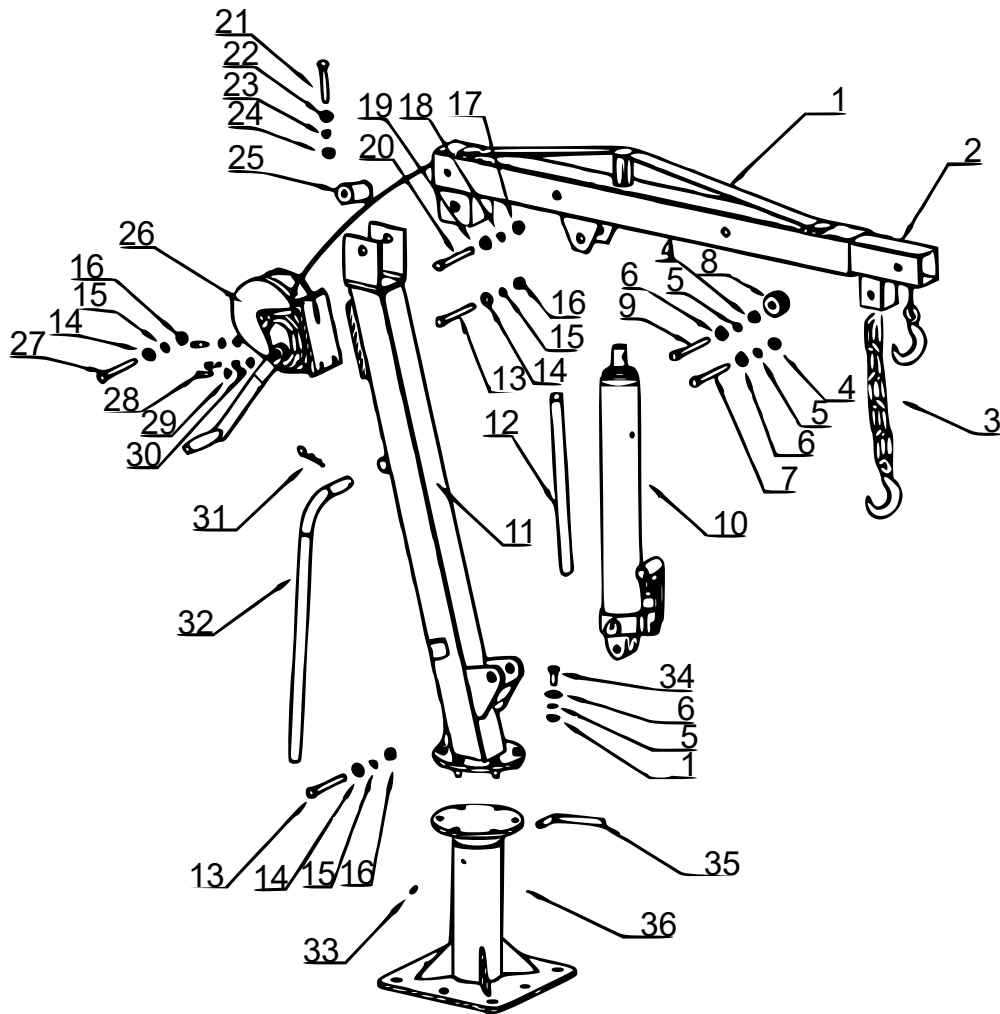
- Check all the components of the crane before each use and make sure the crane is in pristine condition and safe to use.
- Make sure the hook and chain are clean and thereby free from dirt, grease, or debris.
- If the crane is not performing in a satisfactory manner, air might have entered the hydraulic system. Follow the instructions below to purge the system of the air:
 - Make sure that the ram is completely lowered.
 - Remove the oil filling plug and refill the hydraulic fluid.
 - Raise the ram to its maximum height.
 - Loosen the release valve and push the ram all the way down.
 - Add further hydraulic fluid and reinsert the plug. Repeat if necessary.
- It is recommended to use a damp cloth and mild detergents for cleaning. Do not use solvents or any kind of flammable agent.
- If the lifting performance of the engine crane should start to decline, check the oil-level of the hydraulic oil tank. Refill hydraulic oil, if necessary.

Operation instructions

- To raise the boom, close the release valve of the hydraulic ram. Pump the handle until the boom reaches the desired height.
- To extend the length of the boom, remove the bolt and the nut. Pull the boom extension out until the desired length is reached. Make sure to align the holes of the boom and its extension and reinsert the bolt, locking it in place by properly attaching the nut.
- **WARNING! Do not exceed the maximum lifting capacities of this tool.** Exceeding the maximum lifting capacities may lead to personal injury and/or cause property damage. **The further the extension boom is extended, the lower is the lifting capacity of this crane.**
- When wishing to lift an object, position the crane in a way that places its hook right above the object.
- **WARNING!** Keep a safe distance to the foldable crane. Never move beneath an object that is being lifted by the it as it is possible for the hook to slip and cause the object to fall. This might result in severe injuries and/or property damage. Always monitor the object being lifted to ensure that it does not rock back and forth.
- To lower the hook, slightly open the release valve. Attach the hook to the object that you wish to lift and make sure to fully close the safety latch. Then close the release valve and use the handle to raise the object. Either securely place the object upon the platform of a truck and carefully move the crane to the location where you wish to unload the item or move the object by carefully turning the crane. Before unloading the object make sure that the area is equipped with the necessary equipment, i.e., an engine stand or appropriate support facilities and that its floor can withstand the weight.
- Once the object has been fully lowered, disconnect the hook. If not in use, store the crane (unfolded or folded) in a clean, dry, and safe location inaccessible to children and other unauthorized people.

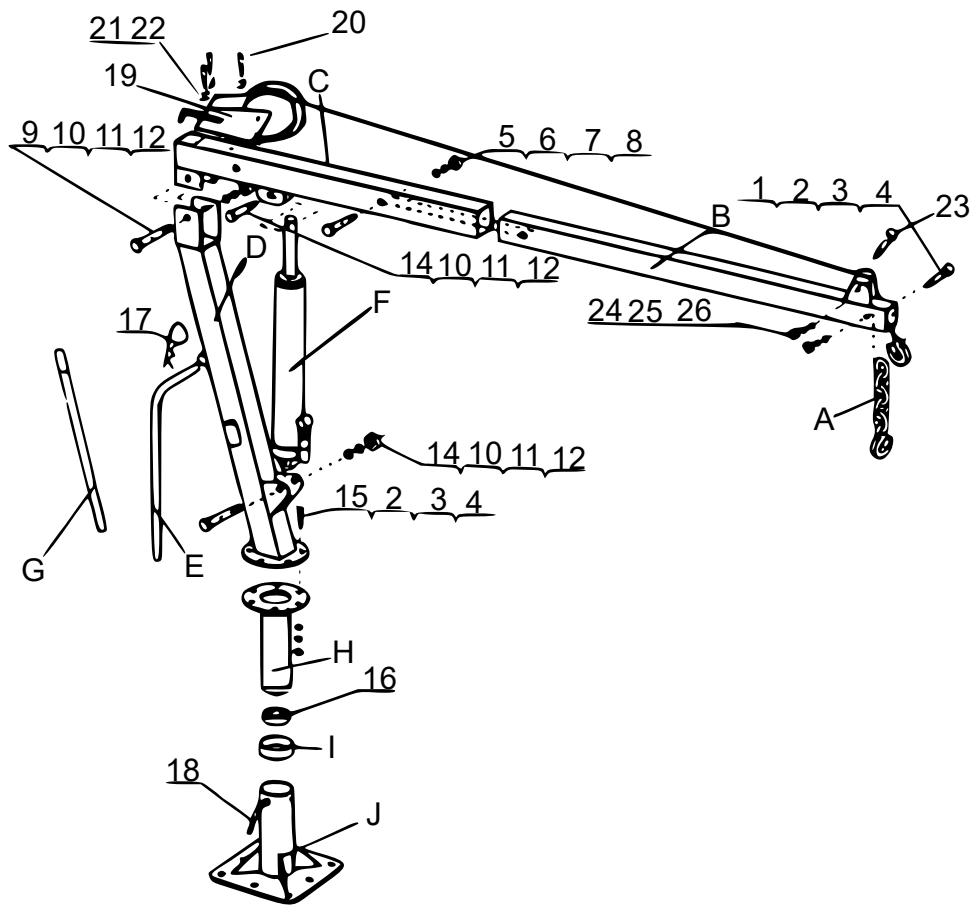
Exploded views and parts lists

62022



Nº	Name	Qty.	Nº	Name	Qty.	Nº	Name	Qty.
1	Boom	1	13	Bolt	2	25	Bushing	1
2	Boom extension	1	14	Washer	3	26	Winch	1
3	Chain with hook	1	15	Washer	3	27	Bolt	1
4	Nut	8	16	Nut	3	28	Bolt	3
5	Washer	8	17	Nut	1	29	Washer	3
6	Washer	8	18	Washer	1	30	Washer	3
7	Bolt	1	19	Washer	1	31	R pin	1
8	Wheel	1	20	Bolt	1	32	Handle	1
9	Bolt	1	21	Bolt	1	33	Grease fitting	1
10	Cylinder	1	22	Washer	1	34	Bolt	6
11	Support frame	1	23	Washer	1	35	Safety pin	1
12	Handle	1	24	Nut	1	36	Base	1

62024



Let- ter/№	Name	Qty.	№	Name	Qty.	№	Name	Qty.
A	Chain with hook	1	3	Lock washer 12 mm	7	15	Bolt M12×40	6
B	Boom extension	1	4	Nut M12	7	16	Bearing	1
C	Boom	1	5	Bolt M14×90	1	17	R pin	1
D	Frame	1	6	Washer 14 mm	1	18	Safety pin	1
E	Handle	1	7	Lock washer 14 mm	1	19	Winch	1
F	Cylinder	1	8	Nut M14	1	20	Bolt 8×20	3
G	Hydraulic handle	1	9	Bolt M16×110	1	21	Washer 8 mm	3
H	Swivel frame	1	10	Washer 16 mm	3	22	Lock washer 8 mm	3
I	Turning device	1	11	Lock washer 16 mm	1	23	Bolt 14×60	1
J	Base	1	12	Nut M16	3	24	Washer 14 mm	1
1	Bolt M12×75	1	13	Bolt M16×80	1	25	Lock washer	1
2	Washer 12 mm	7	14	Bolt M16×95	1	26	Nut M14	1

Important notice:

The reprint or reproduction, even of excerpts, and any commercial use, even in part, of this instruction manual require the written permission of WilTec Wildanger Technik GmbH.