

Operation Manual

Foldable 1-ton Workshop Crane

62025



Illustration similar, may vary depending on model

Read and follow the operating instructions and safety information before using for the first time.

Technical changes reserved!

Due to further developments, illustrations, functioning steps, and technical data can differ insignificantly.

Updating the documentation

If you have suggestions for improvement or have found any irregularities, please contact us.



The information contained in this document may alter at any time without previous notice. It is prohibited to copy or spread any parts of this document in any way without prior written allowance. All rights reserved.

The WilTec Wildanger Technik GmbH cannot be held accountable for any possible mistakes in this operating manual, nor in the diagrams and figures shown.

Even though, the WilTec Wildanger Technik GmbH has undergone biggest possible efforts to ensure that the operating manual is complete, faultless, and up to date, mistakes cannot be entirely avoided.

If you should find a mistake or wish to make a suggestion for improvement, we look forward to hearing from you.

Send an e-mail to:

service@wiltec.info

or use our contact form:

<https://www.wiltec.de/contacts/>

The most recent version of this manual in various languages can be found in our online shop via:

<https://www.wiltec.de/docsearch>

Our postal address is:

WilTec Wildanger Technik GmbH
Königsbenden 12
52249 Eschweiler
Germany

To return orders for exchange, repair, or other purposes, please use the following address. Attention! To allow for a smooth execution of your complaint or return, it is important to contact our customer service team before returning the goods.

Returns Department
WilTec Wildanger Technik GmbH
Königsbenden 28
52249 Eschweiler

E-mail: **service@wiltec.info**

Tel: +49 2403 55592-0

Fax: +49 2403 55592-15



Introduction

Thank you for purchasing this quality product. **To minimise the risk of injury we urge that our clients take some basic safety precautions when using this device. Please read the operation instructions carefully and make sure you have understood its content.**

Keep these operation instructions safe.

This foldable workshop crane possesses a maximum lifting capacity of 1 ton and has been designed for lifting and holding light truck and car engines. To be able to lift such weights the crane requires a leveller and/or chains. However, please be aware that neither leveller nor chains are included in the scope of delivery. After loading an engine onto the crane make sure to place it onto an adequate stand as quickly as possible.

Technical specifications

Lifting capacity (kg)	Length of stroke (mm)	Crane height (mm)	Boom length (mm)
1000	0–2000	1450	960–1240

Safety instructions

- Make sure to keep your work environment clean and ensure that it is well-lit. Working in untidy and poorly lit working areas increases the risk of injury.
- Pay attention to local standards as well as the conditions of your work place. Do not use the product within wet or storage areas and do not expose it to rain.
- Children are by no means allowed to enter the working area and must be supervised to guarantee that they do not play with the device.
- When not in use, store the product in a dry environment to avoid the formation of rust. Furthermore, ensure that the stored crane is inaccessible to children as well as unauthorised individuals.
- This item has been designed for a certain purpose and can therefore safely and quickly deal with the intended tasks if not diverted from its intended use. Do not modify the device, do not divert it from its intended use, and only use it with a speed appropriate for it.
- Do not wear loose clothing or jewellery, as they can get caught by the moving parts of the device and thereby cause severe injuries. It is recommended to wear protective, electrically non-conductive clothes as well as non-skid footwear equipped with steel toe caps.
- Do not lean too much forward and do not take any risks. Furthermore, ensure to always have a secure footing and to be able to always keep your balance.
- Keep your tools and devices clean to ensure a secure and correct functionality. Abide to the rules and guidelines within this manual.
- Do not operate tools or machines if you are tired or under the influence of alcohol, drugs, or medicine. Stay alert while using this product to minimise the risk of injury.
- Carefully check the product before every usage and make sure that it is undamaged to further minimise the risk of injury. Do not use this device if parts are damaged or not working correctly.
- Only use identical and original spare parts. Attachments and accessories used must be specifically intended for this device.
- Always make sure to properly secure the load in a way that it can neither shift nor slip off and never lift objects over people. Unsecured or badly secured loads can lead to severe injuries and even death.
- Never exceed the maximum lifting capacity of the crane and be aware of potential weight shifts due to moving load. A load swinging or suddenly jerking at the chain may lead to a temporary increase in weight. This in turn might cause the crane or load to be damaged and can even be the cause of severe injuries.
- Maintenance must be performed regularly to guarantee the secure and correct function of the device. It, however, should only be performed by specially trained personnel. In case of questions please contact the producer or an authorised service partner.
- Please note that this product is not suited for lifting aircraft engines or other aircraft parts.



- Do not try to move the crane while it is carrying weight with its boom in a raised position, as this shift in weight greatly increases risk of the crane tipping over.
- Only use the crane on even ground capable of withstanding the weight to avoid cave-ins and inadvertent rolling. At the same time, this minimises the swinging of the load, which in turn minimises the risk of injury.
- Make sure that no one else is standing in the path of the crane when moving the same.

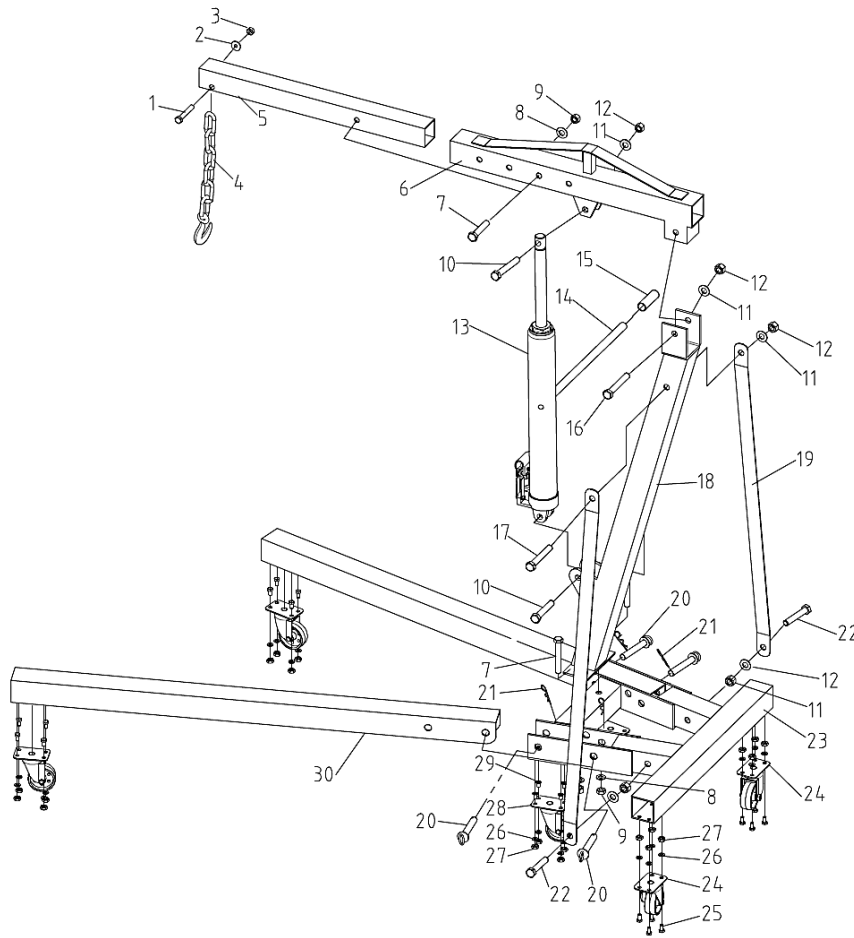
Application

- To raise the boom extension, close the release valve of the hydraulic cylinder. Then attach the lever to the hydraulic cylinder and pump it until the boom extension has reached the desired height.
- The boom length can be extended by removing the bolt and nut placed therein, before then pulling the boom extension out until the pre-drilled holes overlap. Now reinsert the bolt and secure it with the appropriate nut.
- **WARNING! The maximum lifting capacity of the crane must not be exceeded.** Infringement can lead to severe damage and injuries. **Please be aware that the maximum lifting capacity decreases with an increasing boom length.**
- Position the crane in a way that the object to be lifted is placed directly beneath the hook.
- By slightly opening the release valve the hook can be lowered, before the item you want to lift can then be attached to the hook. Once the item has been attached to the hook, make sure that the safety latch of the hook is completely closed. Then close the release valve and utilise the lever to raise the boom.
- **WARNING!** Be extreme cautious when lifting loads, ensure that they have been secured appropriately and make sure that they do not swing. Inappropriately secured or swinging loads carry an increased risk of falling off the hook.
- Once the item has been lifted out of its mount, lower the boom to be able to slowly and carefully transport the item.

Maintenance

- Always make sure to check the entire device before each use to ensure that the crane is in pristine condition.
- Make sure that the hook and chain are clean and thereby free from grease, dirt, and debris.
- In case the hydraulic system of the crane does not operate correctly, air might have entered the same. Please abide to the following steps to remove the air from the system:
 1. First make sure that the boom is in its home position (the boom is completely lowered).
 2. Remove the oil fill plug and pour some additional hydraulic oil into the tank.
 3. Now begin to pump until the boom has reached its maximum height.
 4. Open the release valve and press the boom down until the cylinder has been completely retracted.
 5. Add some more hydraulic oil and reinsert the oil fill plug.
 6. Repeat these steps if necessary.
- We advise the use of a wet towel in combination and a mild detergent for cleaning purposes.
- In case of a decrease of lifting capacity, please check the device's oil level and replenish it if necessary.

Exploded view and parts list



No	Name	Qty.	No	Name	Qty.
1	Outer hexagon bolt M12×75 (8.8)	1	16	Outer hexagon bolt M16×110	1
2	Flat washer ø12	1	17	Outer hexagon bolt M16×100	1
3	Outer hexagon nut M12	1	18	Support post	1
4	Hook	1	19	Support brace	2
5	Extension boom	1	20	Round pin	4
6	Boom	1	21	R pin	4
7	Outer hexagon bolt M14×90	3	22	Outer hexagon bolt M16×90	2
8	Flat washer ø14	3	23	Base	1
9	Outer hexagon nut M14	3	24	3.5" caster wheel	4
10	Outer hexagon bolt M16×90 (8.8)	2	25	Outer hexagon bolt M8×16	16
11	Flat washer ø16	6	26	Flat washer ø8	24
12	Outer hexagon nut M16	6	27	Outer hexagon nut M8	24
13	Long ram jack	1	28	3" caster wheel	2
14	Handle	1	29	Flat shoulder bolt M8×16	8
15	Handle socket	1	30	Leg	2

Important notice: The reprint or reproduction, even of excerpts, and any commercial use, even in part, of this instruction manual require the written permission of WilTec Wildanger Technik GmbH.