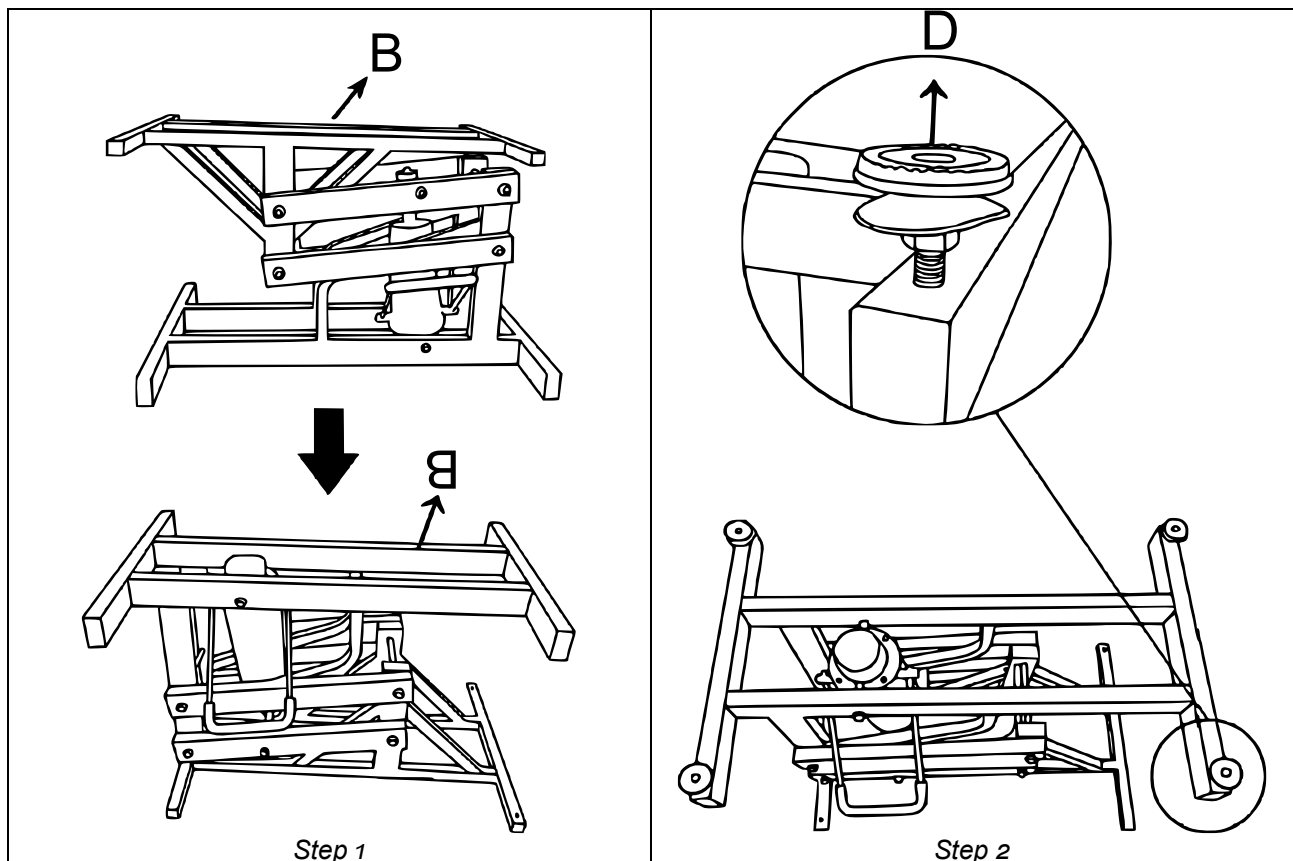
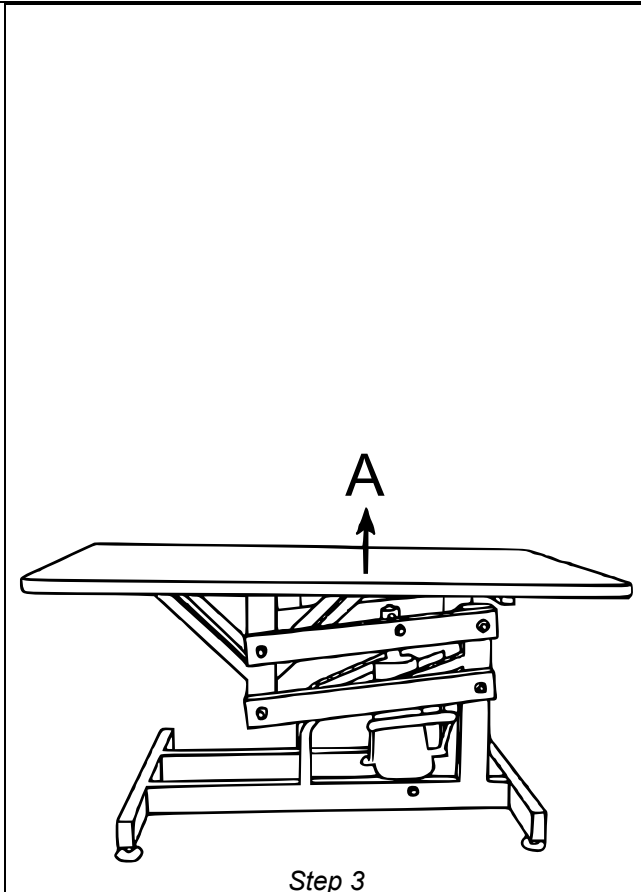


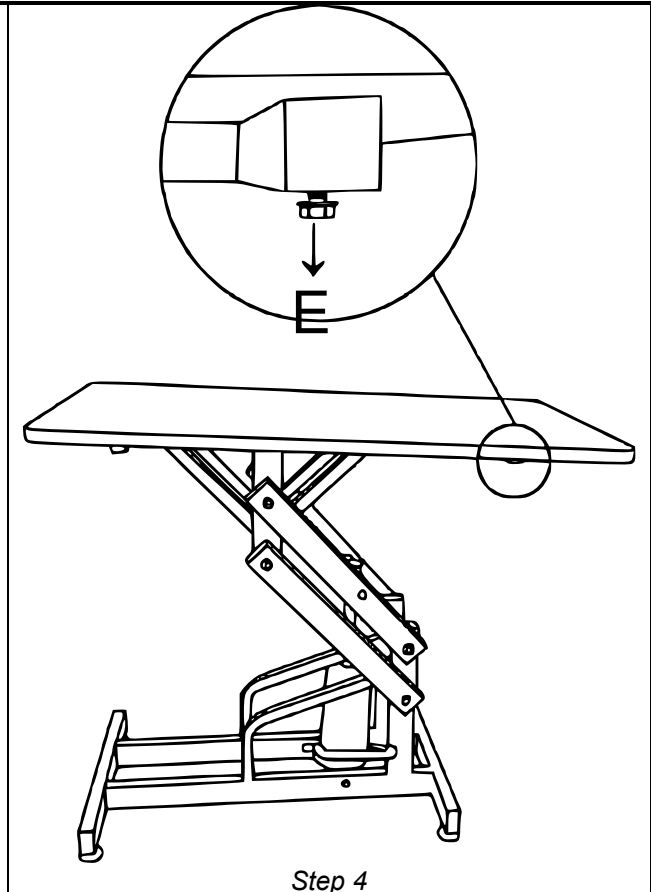


Letter	Figure	Qty.	Letter	Figure	Qty.
A		1	F		2
B		1	G		1
C		1	H		2
D		4	I		2
E		4	J		1

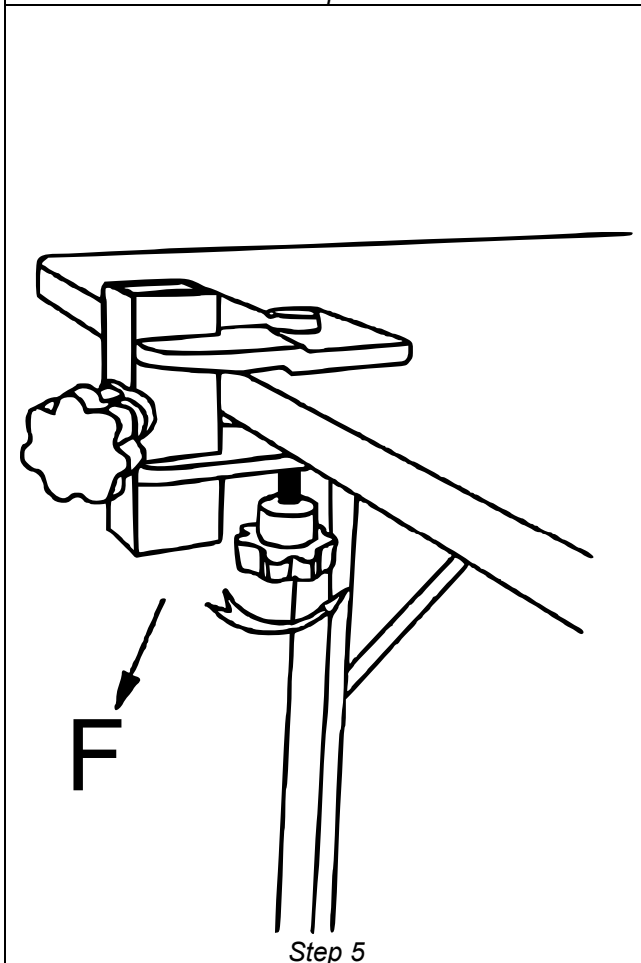




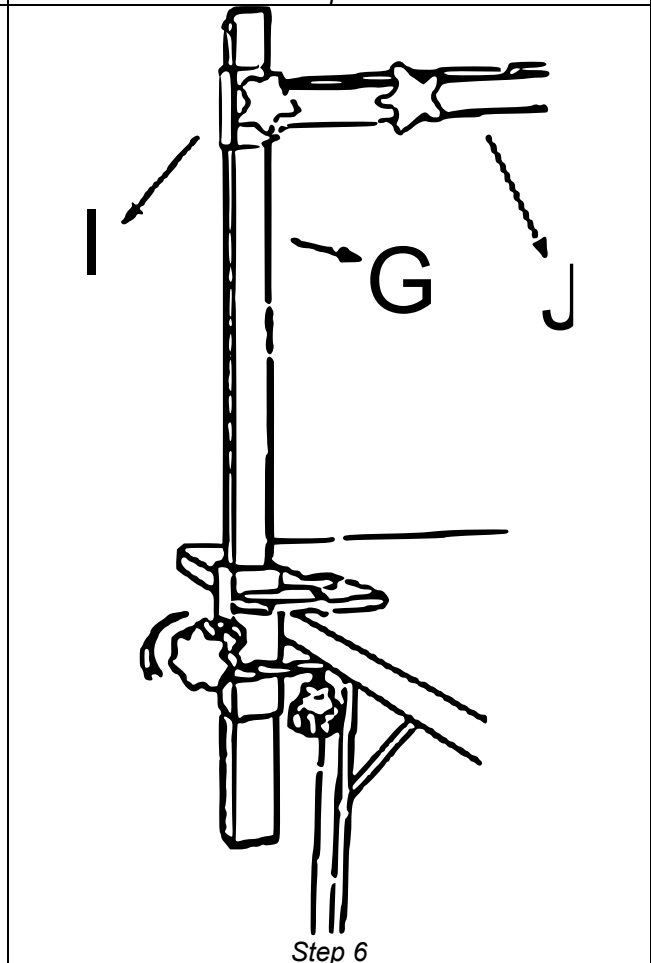
Step 3



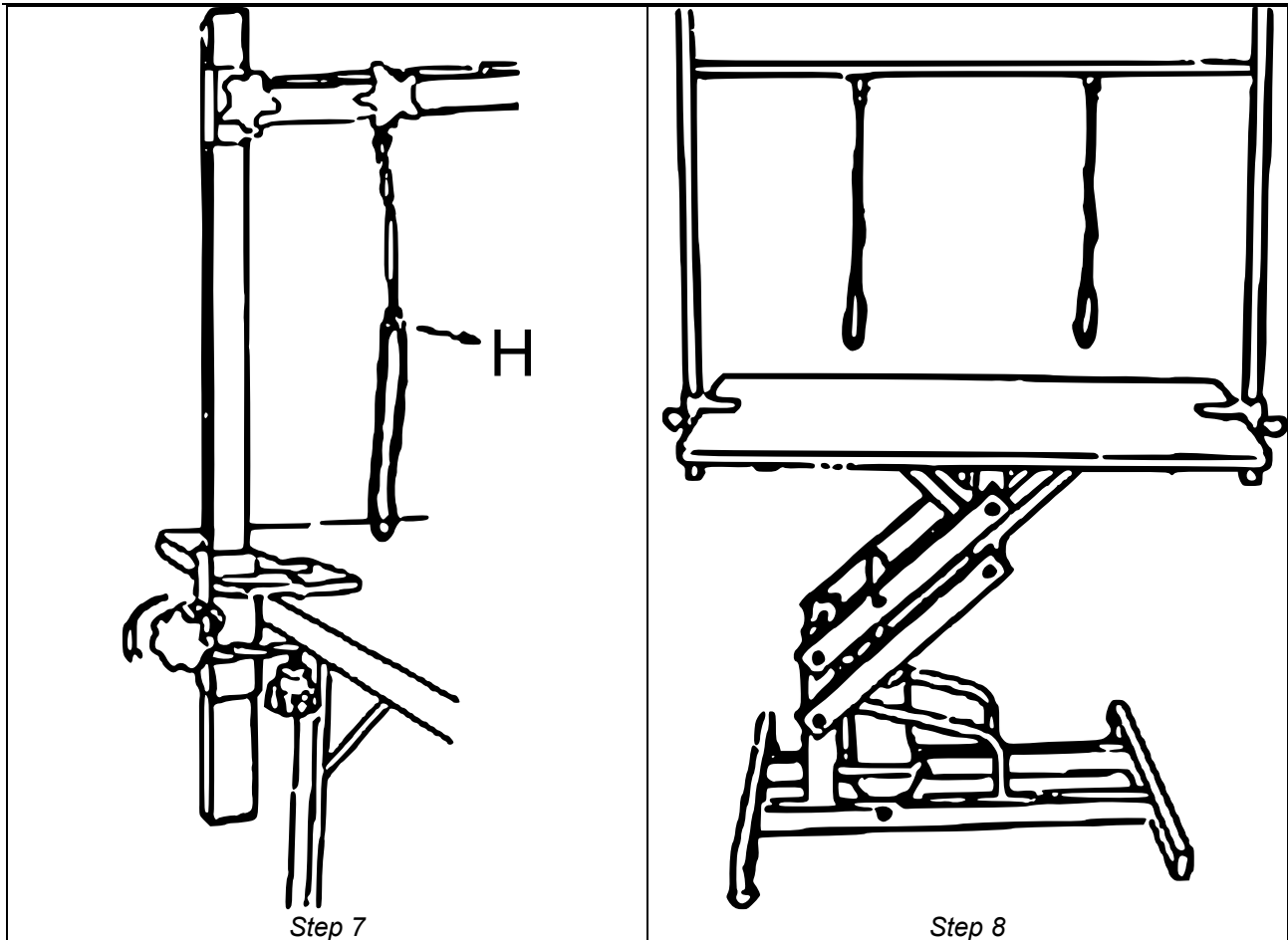
Step 4



Step 5



Step 6



**Important Note:**

Reproduction and any commercial use (of parts) of this operating manual, requires a written permission of WilTec Wildanger Technik GmbH.