

User's manual

PE Greenhouse

62298

toboli



Illustration similar, may vary depending on model

Please read and follow the operating instructions and safety information prior to initial operation.

Technical changes reserved!

Illustrations, functional steps, and technical data may deviate insignificantly due to continuous further developments.



The information contained in this document may alter at any time without prior notice. No part of this document may be copied or otherwise duplicated without prior written consent. All rights reserved.

WilTec Wildanger Technik GmbH cannot be held liable for any possible mistakes in this operating manual, nor in the diagrams and illustrations shown.

Although WilTec Wildanger Technik GmbH has made every possible effort to ensure that this operating manual is complete, accurate, and up-to-date, errors cannot be ruled out entirely.

If you have found an error or wish to suggest an improvement, we look forward to hearing from you.

Send us an e-mail to:

service@wiltec.info

or use our contact form:

<https://www.wiltec.de/contacts/>

The most recent version of this manual in several languages can be found in our online shop:

<https://www.wiltec.de/docsearch>

Our postal address is:

WilTec Wildanger Technik GmbH
Königsbenden 12
52249 Eschweiler Germany

To return your goods for exchange, repair, or other purposes, please use the following address. Attention! To allow for a trouble-free complaint or return, it is important to contact our customer service team before returning your goods.

Retourenabteilung
WilTec Wildanger Technik GmbH
Königsbenden 28
52249 Eschweiler Germany

E-mail: **service@wiltec.info**

Tel: +49 2403 55592-0

Fax: +49 2403 55592-15



Introduction

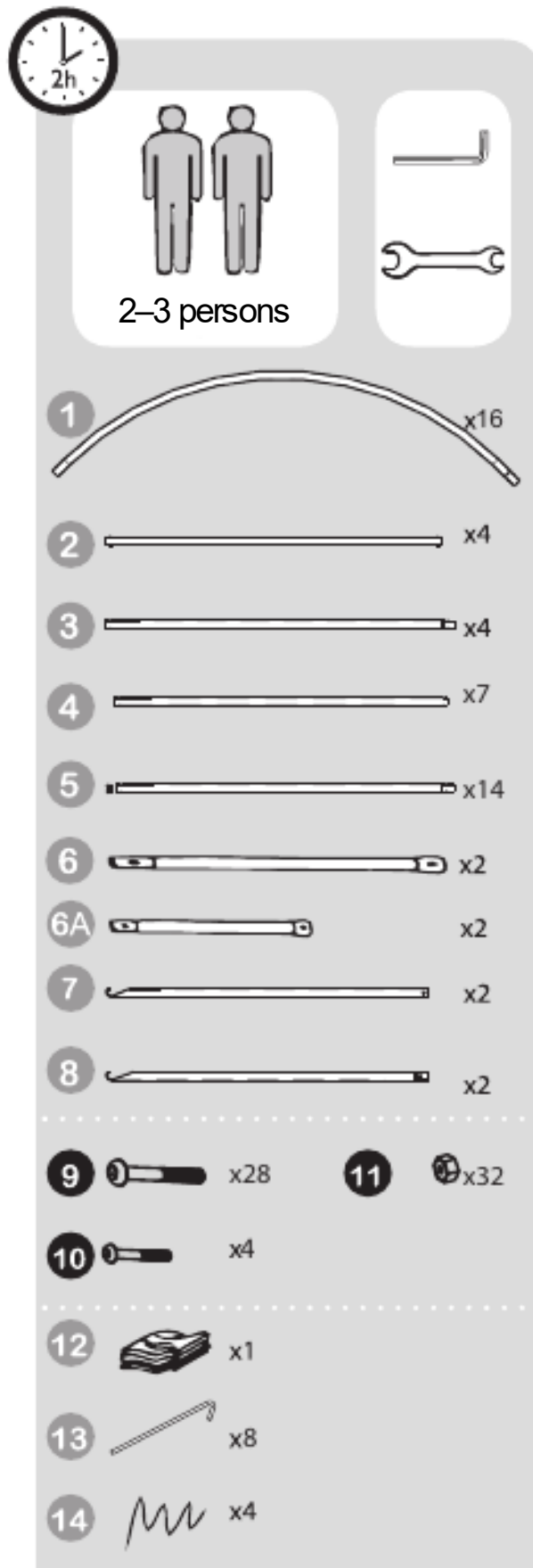
Thank you for choosing to purchase this quality product. To minimise the risk of injury, we ask you to always take some basic safety precautions when using this product. Please read this operating manual carefully and make sure that you understand it.

Keep these operation instructions in a safe place.

Safety instructions

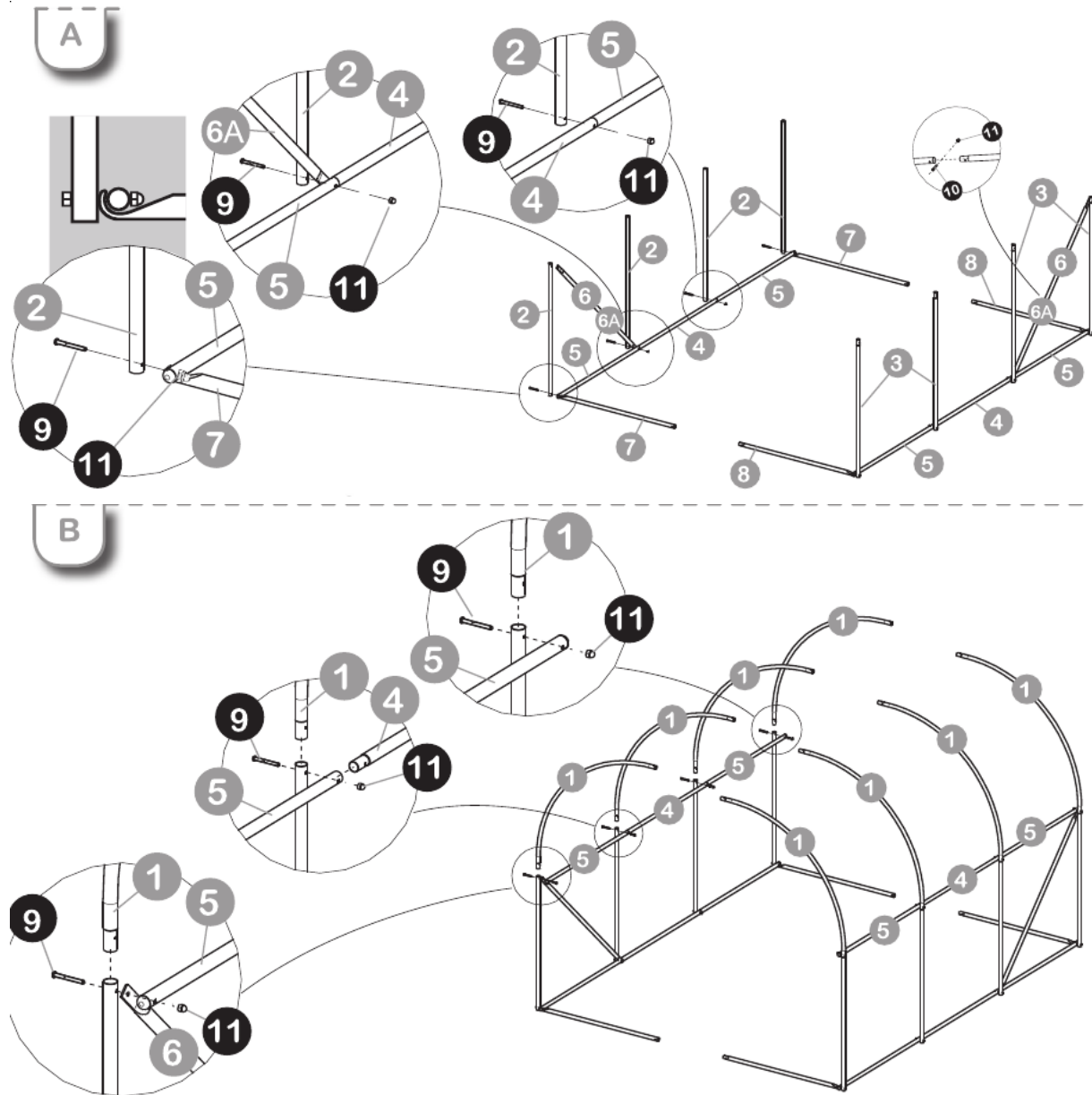
- Before assembling, make sure that all parts are present and undamaged.
- Assembling the greenhouse requires 2–3 persons.
- If possible, install the greenhouse to a wind-protected spot, e.g., under trees or in shadow zones of buildings.
- During assembly, all persons must wear appropriate protective clothing (protective gloves, safety shoes, etc.).
- After assembly, re-check all components for safe fixation and connection. All connections must be checked every 3–4 months and re-tightened if necessary.
- Do not use sources of ignition near the greenhouse.
- Guard the greenhouse against weather damages:
 - Remove rain water or snow accumulated on the greenhouse.
 - With strong wind, ensure additional fixation of the greenhouse or disassemble it.
- Wait for the greenhouse to dry entirely before storing it.
- With temperatures around freezing, canvasses must not be removed. They could be damaged otherwise.
- It is advisable to dig a 30 cm ditch around the greenhouse and to re-fill it with soil to ensure optimal stability of the greenhouse.

Components and tools

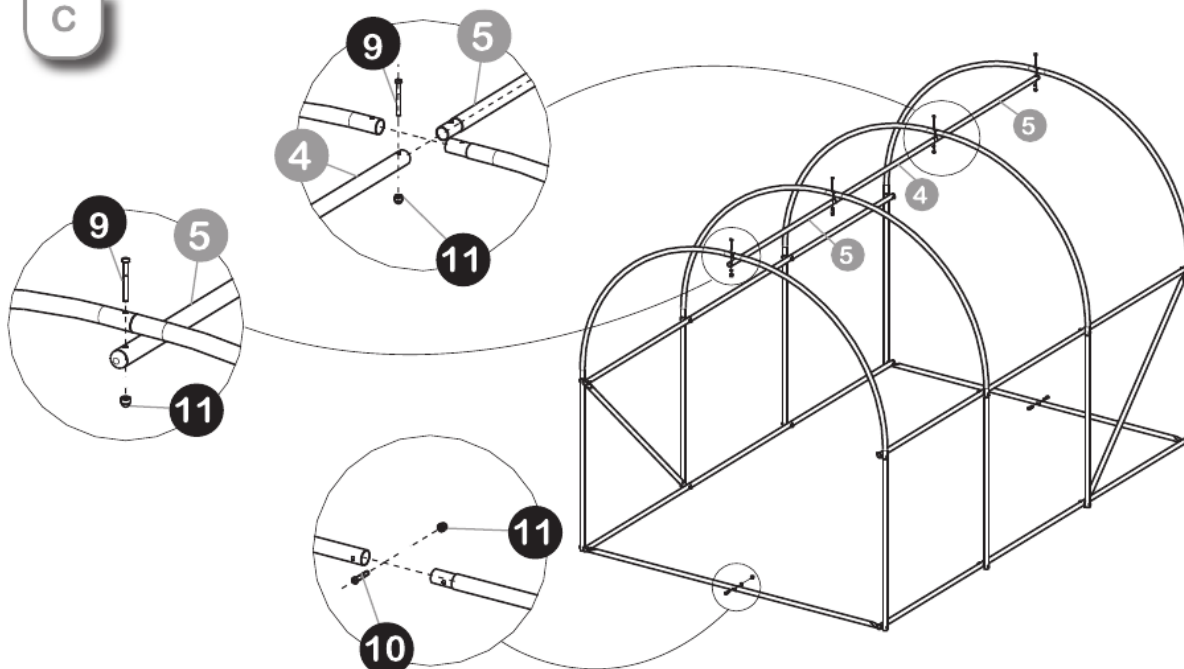


Assembly

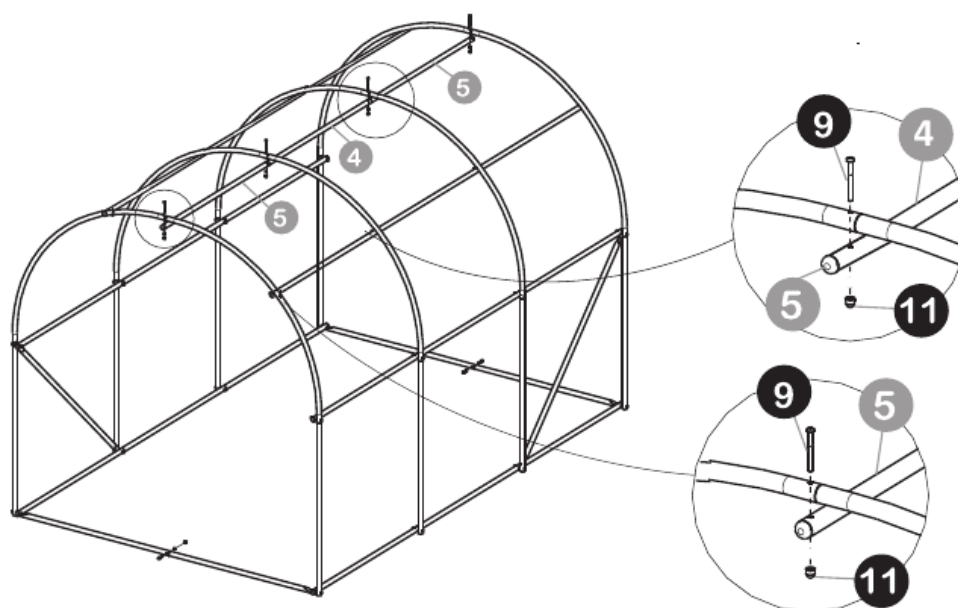
Assemble the frame completely, but let connections loose first; after completing assembly, tighten all screws.

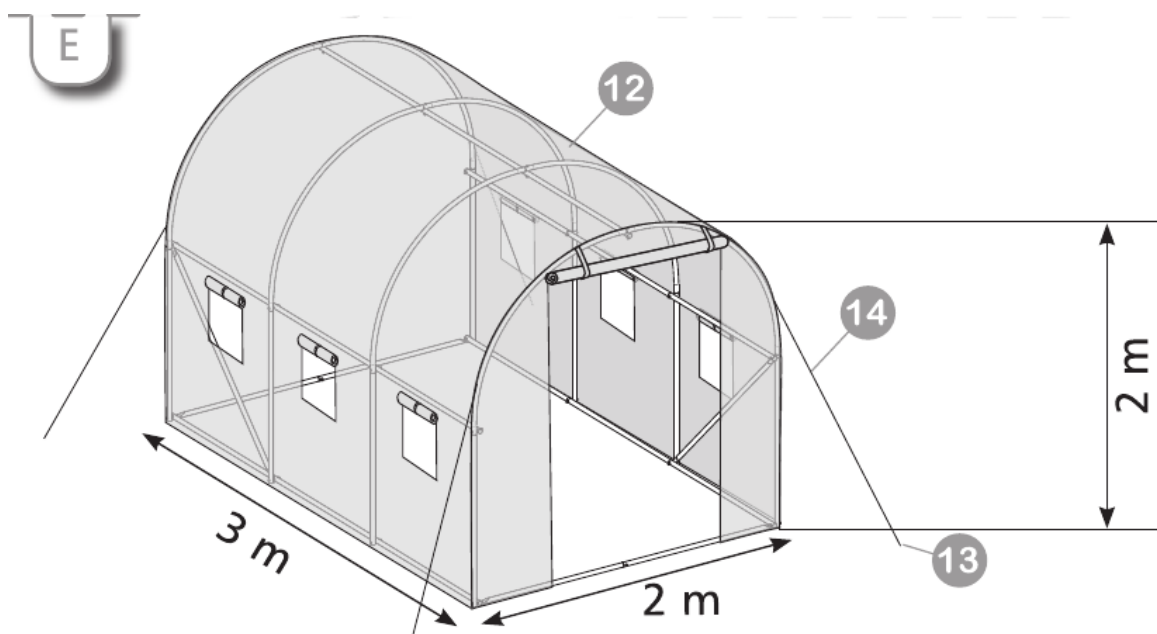


C



D





Important Note:

Reproduction and any commercial use (of parts) of this operating manual, requires a written permission of WilTec Wildanger Technik GmbH.