

User's manual

Workshop Tool Cart with 3 Trays

62316



Illustration similar, may vary depending on model

Please read and follow the operating instructions and safety information prior to initial operation.

Technical changes reserved!

Illustrations, functional steps, and technical data may deviate insignificantly due to continuous further developments.



The information contained in this document may alter at any time without prior notice. No part of this document may be copied or otherwise duplicated without prior written consent. All rights reserved. WilTec Wildanger Technik GmbH cannot be held liable for any possible mistakes in this operating manual, nor in the diagrams and illustrations shown.

Although WilTec Wildanger Technik GmbH has made every possible effort to ensure that this operating manual is complete, accurate, and up-to-date, errors cannot be ruled out entirely.

If you have found an error or wish to suggest an improvement, we look forward to hearing from you. Send us an e-mail to:

service@wiltec.info

or use our contact form:

<https://www.wiltec.de/contacts/>

The most recent version of this manual in several languages can be found in our online shop:

<https://www.wiltec.de/docsearch>

Our postal address is:

WilTec Wildanger Technik GmbH
Königsbenden 12
52249 Eschweiler Germany

To return your goods for exchange, repair, or other purposes, please use the following address. Attention! To allow for a trouble-free complaint or return, it is important to contact our customer service team before returning your goods.

Retourenabteilung
WilTec Wildanger Technik GmbH
Königsbenden 28
52249 Eschweiler Germany

E-mail: **service@wiltec.info**
Tel: +49 2403 55592-0
Fax: +49 2403 55592-15



Introduction

Thank you for choosing to purchase this quality product. To minimise the risk of injury, we ask you to always take some basic safety precautions when using this product. Please read this operating manual carefully and make sure that you understand it. Keep these operation instructions in a safe place.

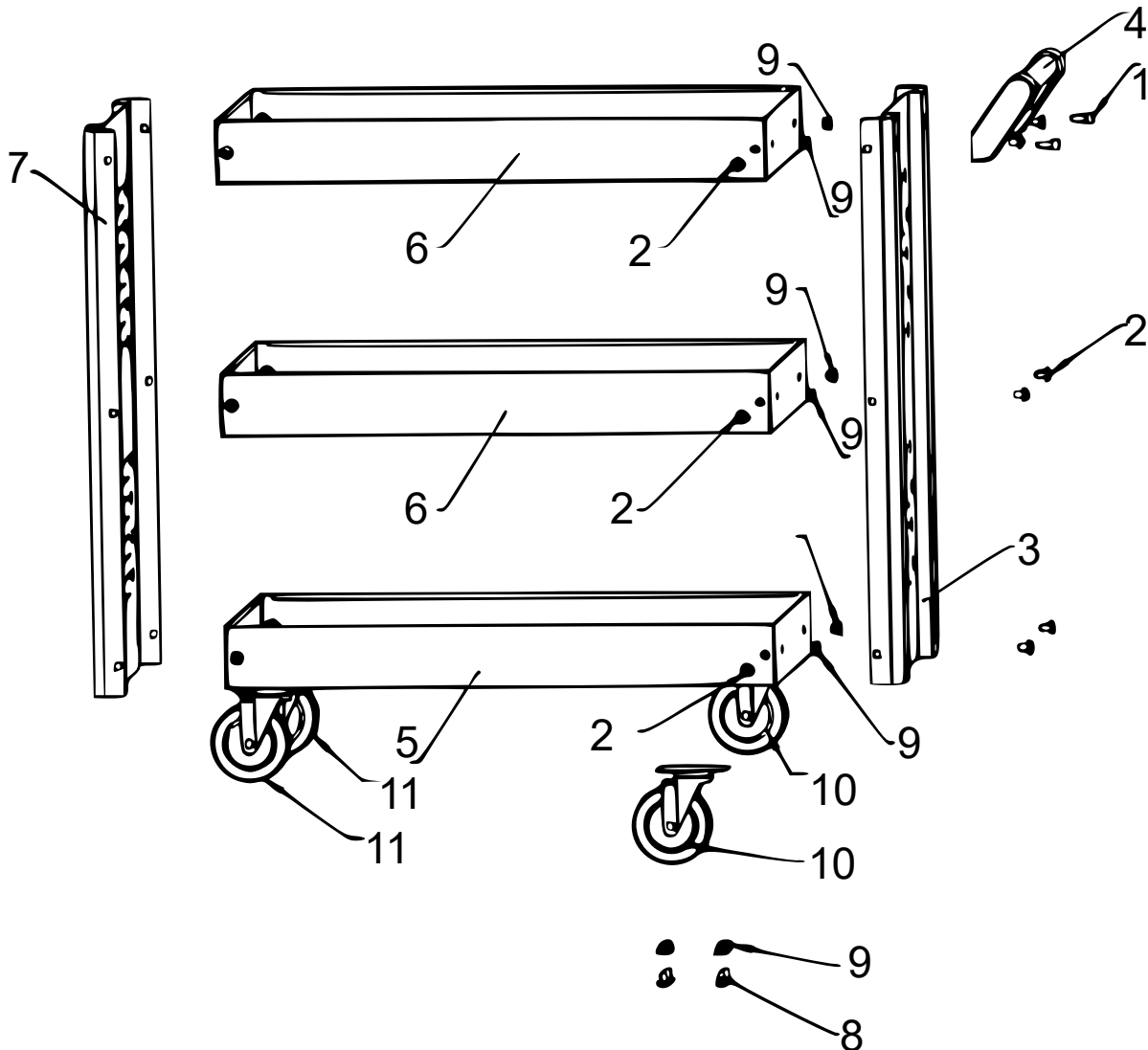
Safety instructions

- Only use the cart properly. Using the cart improperly increases the danger of injuries.
- Do not use the cart in case it is damaged.
- Do not exceed the maximum capacity (50 kg per tray, 150 kg in total).
- Do not climb or stand on the cart.
- Keep children away from the cart.
- Only place the cart onto a solid surface to avoid that it tips over.
- When parking the cart, make sure that its brakes are applied to avoid that it rolls away accidentally.
- Do not modify the cart in any way.
- Only use original spare parts.

Assembly

1. Fix the rolls to the base plate with the help of the screws and washers. Make sure that the rolls provided with brakes are fixed to the front part of the cart and the rolls without brakes to the rear part.
2. Attach the outer sides of the cart to the base plate.
3. Fix the other drawers to their appropriate spots.
4. At last, fix the handle to the right outer side.

Exploded view and parts list



Nº	Name	Qty.	Nº	Name	Qty.
1	Screw (M8×15)	2	7	Left outer side	1
2	Screw (M8×12)	24	8	Screw (M8×14)	16
3	Right outer side	1	9	Nut (M6)	40
4	Handle	1	10	Castors	2
5	Base plate	1	11	Fix rolls	2
6	Drawer	2			

Important Note:

Reproduction and any commercial use (of parts) of this operating manual, requires a written permission of WilTec Wildanger Technik GmbH.