

Operating instructions
Trailer Dolly for Caravans
62327

wiltec



Illustration similar, may vary depending on model

Please read and follow the operating instructions and safety information prior to initial operation.

Technical changes reserved!

Illustrations, functional steps, and technical data may deviate insignificantly due to continuous further developments.



The information contained in this document may alter at any time without prior notice. No part of this document may be copied or otherwise duplicated without prior written consent. All rights reserved. WilTec Wildanger Technik GmbH cannot be held liable for any possible mistakes in this operating manual, nor in the diagrams and illustrations shown.

Although WilTec Wildanger Technik GmbH has made every possible effort to ensure that this operating manual is complete, accurate, and up-to-date, errors cannot be ruled out entirely.

If you have found an error or wish to suggest an improvement, we look forward to hearing from you. Send us an e-mail to:

service@wiltec.info

or use our contact form:

<https://www.wiltec.de/contacts/>

The most recent version of this manual in several languages can be found in our online shop:

<https://www.wiltec.de/docsearch>

Our postal address is:

WilTec Wildanger Technik GmbH
Königsbenden 12
52249 Eschweiler – Germany

To return your goods for exchange, repair, or other purposes, please use the following address. Attention! To allow for a trouble-free complaint or return, it is important to contact our customer service team before returning your goods.

Retourenabteilung
WilTec Wildanger Technik GmbH
Königsbenden 28
52249 Eschweiler – Germany

E-mail: **service@wiltec.info**

Tel: +49 2403 55592-0

Fax: +49 2403 55592-15



Introduction

Thank you for choosing to purchase this quality product. To minimise the risk of injury, we ask you to always take some basic safety precautions when using this product. Please read this operating manual carefully and make sure that you understand it.

Keep these operation instructions in a safe place.

Safety instructions



Attention! Do not allow anybody to use or install the dolly before he or she has read the manual and understood how the dolly works.



Warning! The warnings, precautionary measures, and instructions of this operation manual cannot cover all possible conditions and situations. The user of this dolly must always use caution when handling the dolly.

- The dolly has been developed for specific purposes. Do not modify the dolly in any way. Unauthorised modifications might impair the functionality and/or safety of use and reduce the lifetime of the product.
- Before every use, check the dolly for intactness and wear or tear. Damaged parts interfere with the correct operation of this dolly. Damaged or worn parts need to be replaced immediately.
- When the dolly is not used, keep it at a safe place and out of children's reach. Before storing the dolly and before re-using it, check it for functionality.



Attention! When using the item, always observe general safety measures to reduce the risk of injuries or damages.

- The maximum capacity of the dolly is 453.6 kg. Make sure that this capacity is not exceeded.
- When coupling, uncoupling, or moving the dolly, always respect a safety distance between the trailer tongue and your hands, feet, and legs.
- Make sure that children keep a safety distance to the dolly.
- Always make sure that the trailer, when charged, is correctly blocked during the positioning of the dolly.
- Make sure that the trailer tongue is safely connected to the ball coupling of the trailer before trying to unblock it and to move the trailer.
- Take precautions against uncontrolled movements of the trailer connected to the dolly. Be aware of the difficulty of estimating the inclination of a street or paved area; small inclinations may already lead to dangerous situations.
- When the dolly is hitched to a trailer, that has been stocked over a longer period, make sure that both trailer and dolly are blocked in a safe way.
- Keep the dolly clean and free from road salt or dirt. Before every use, check the dolly to make sure that all components are at their correct position and in good condition.
- Regularly lubricate moving parts.

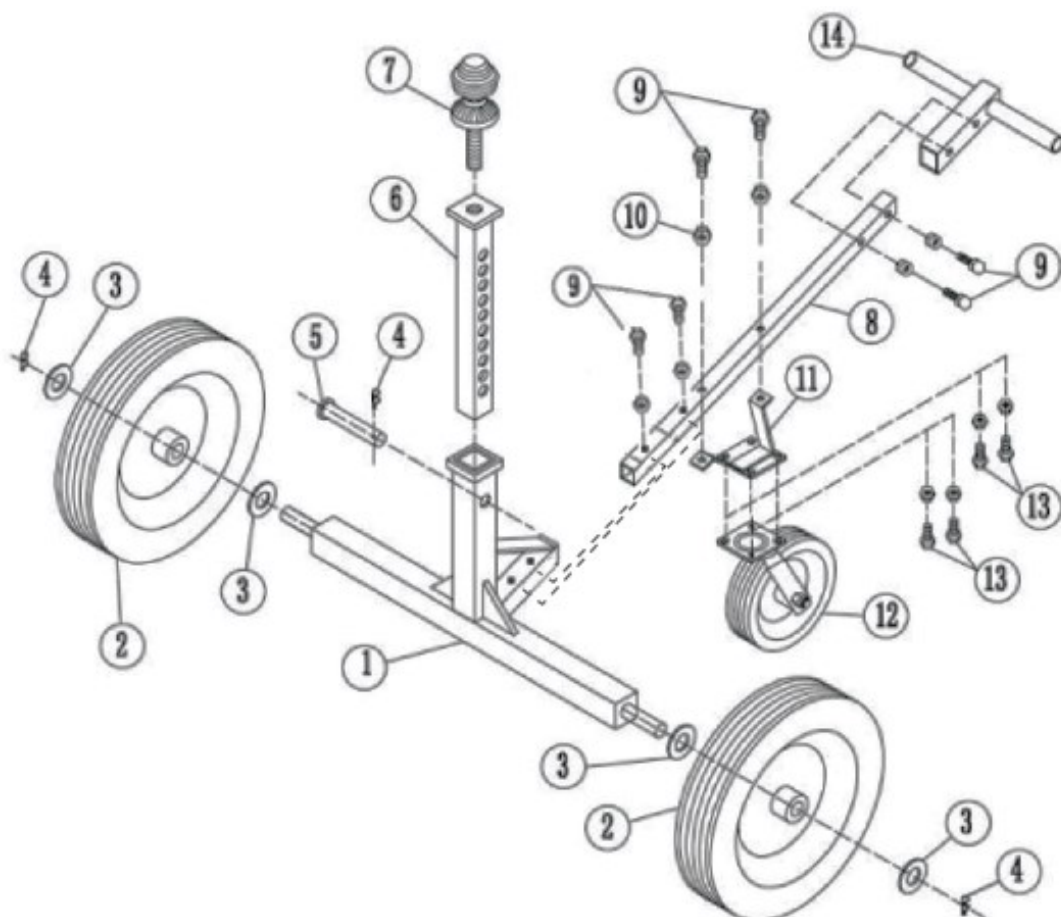
Installation

It is important to read the entire user's manual to familiarise with the product before assembling and using the dolly. Make sure that all parts stated in the parts list and assembly instruction (see below) are present before assembling and using the dolly.

See parts list for assembly

1. Fix one side of the middle handle (8) to the axle assembly (1) using the screw (9) and nut (10).
2. Connect the axle assembly (1), the upper handle (14), and middle handle (8) using the screw (9) and nut (10).
3. Now mount the castor (12) to the castor holder (11) using the screws (9, 13) and nut (10).
4. Mount the ball coupling (7) to the holder (6), then insert the ball holder (6) into the axle assembly (1), and secure it with the safety pin (4) and bolt (5).
5. Mount the two wheels (2) to the axle assembly (1) and secure them using washers (3) and safety pin (4).
6. Check all fixations and tighten them if necessary.

Exploded view and parts list





No	Name	Quantity
1	Axle assembly	1
2	Wheel	2
3	Washer	4
4	Safety pin	3
5	Bolt	1
6	Ball holder (50 mm)	1
7	Ball coupling (50 mm)	1
8	Middle handle	1
9	Screw M10×50	6
10	Nut M10	10
11	Wheel holder	1
12	Castor	1
13	Screw M10×25	4
14	Upper handle	1

Important note:

Reproduction and any commercial use (of parts) of this operating manual, requires a written permission of WilTec Wildanger Technik GmbH.