

# Operation Manual

## Fountain Pump

62547



Illustration similar, may vary depending on model

Read and follow the operating instructions and safety information before using for the first time.

Technical changes reserved!

Due to further developments, illustrations, functioning steps, and technical data can differ insignificantly.

Updating the documentation

If you have suggestions for improvement or have found any irregularities, please contact us.



The information contained in this document may alter at any time without previous notice. It is prohibited to copy or spread any parts of this document in any way without prior written allowance. All rights reserved.

The WilTec Wildanger Technik GmbH cannot be held accountable for any possible mistakes in this operating manual, nor in the diagrams and figures shown.

Even though, the WilTec Wildanger Technik GmbH has undergone biggest possible efforts to ensure that the operating manual is complete, faultless, and up to date, mistakes cannot be entirely avoided.

If you should find a mistake or wish to make a suggestion for improvement, we look forward to hearing from you.

Send an e-mail to:

[service@wiltec.info](mailto:service@wiltec.info)

or use our contact form:

<https://www.wiltec.de/contacts/>

The most recent version of this manual in various languages can be found in our online shop via:

<https://www.wiltec.de/docsearch>

Our postal address is:

WilTec Wildanger Technik GmbH  
Königsbenden 12  
52249 Eschweiler  
Germany

To return orders for exchange, repair, or other purposes, please use the following address. Attention! To allow for a smooth execution of your complaint or return, it is important to contact our customer service team before returning the goods.

Returns Department  
WilTec Wildanger Technik GmbH  
Königsbenden 28  
52249 Eschweiler

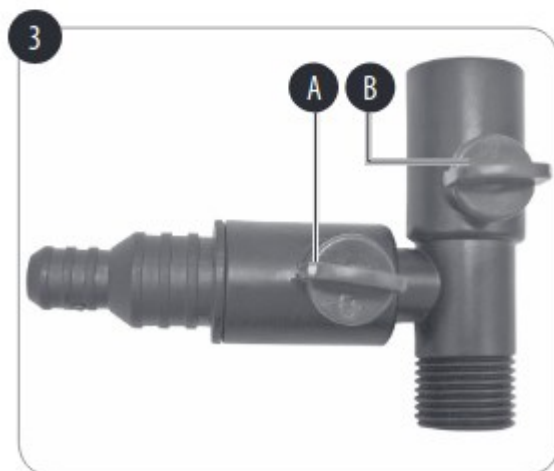
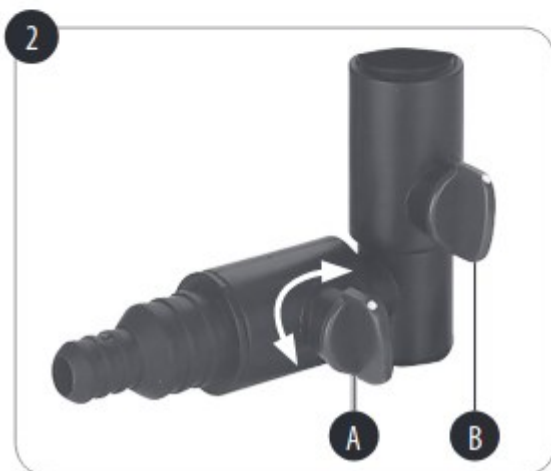
E-mail: **service@wiltec.info**

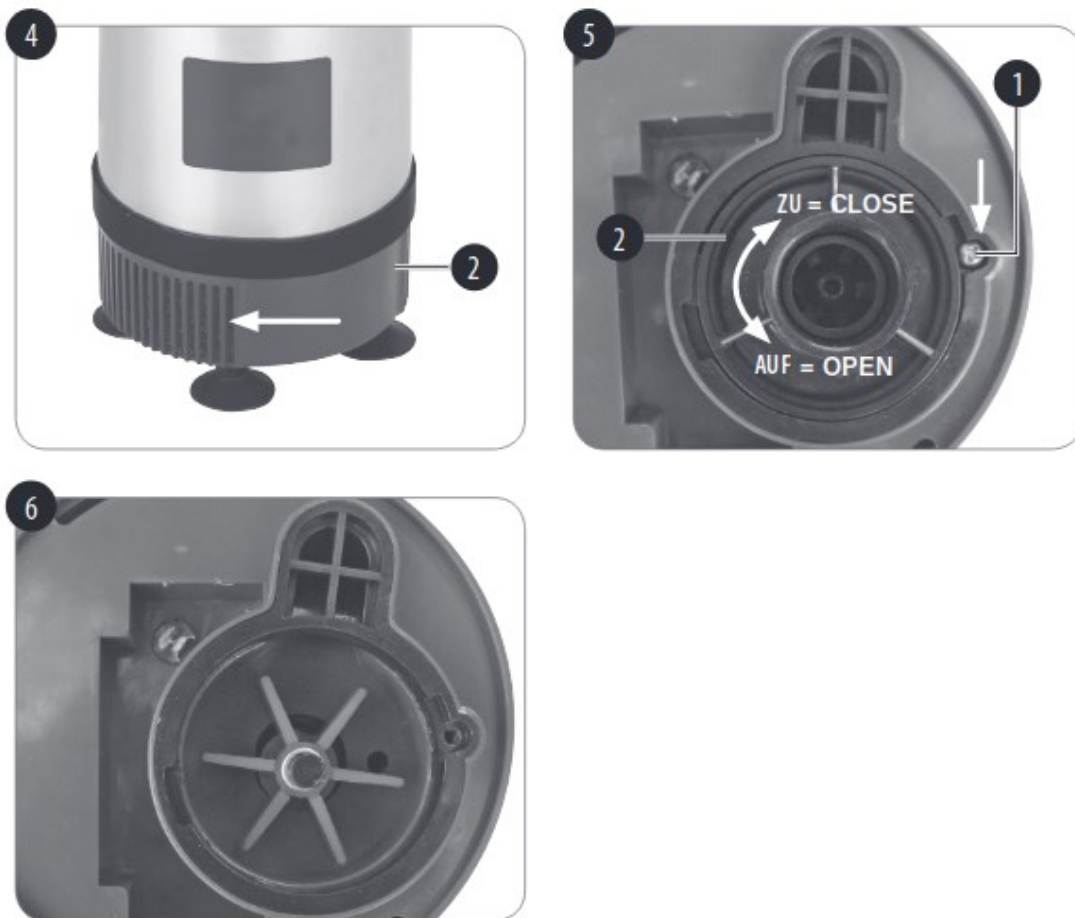
Tel: +49 2403 55592-0

Fax: +49 2403 55592-15

## Introduction

Thank you for purchasing this quality product. **To minimise the risk of injury we urge that our clients take some basic safety precautions when using this device. Please read the operation instructions carefully and make sure you have understood its content.** Keep these operation instructions safe.





**Warning!** When using devices, some safety precautions must be observed to prevent damages and injuries. Therefore, carefully read these operating instructions and the associated safety instructions. Keep them in a safe and dry place to be able to access them at any time. If you hand the device over to someone else, also hand over these instructions.

### Safety instructions

**Warning!** Read all safety instructions. Disobeying these instructions might lead to electric shock, fire and/or serious injuries.

**Warning!** The device must be supplied via a residual current circuit breaker with a triggering residual current of no more than 30 mA. If you are not sure whether such a device is available in the installation, we recommend using a PRCD-S intermediate switch (personal protection intermediate switch). To do this, contact a qualified electrician.

This device is not suitable for use in swimming pools, paddling pools of any kind or other water bodies with people's or animals' being present during operation. The device must not be operated while people or animals are in the danger zone. Ask your electrician.

This device can be used by children aged 8 years or older and by persons with limited physical, sensory, or mental capabilities or a lack of experience and specialist knowledge if they are supervised during use, have been instructed in how to use the device safely and understand the resulting dangers. Children are not allowed to play with the device. Cleaning and maintenance must not be carried out by children without supervision.

Obey the installation instructions of this manual.



Disconnect the device from the power supply and let it cool down before cleaning, maintaining, and storing it. The liquid could be contaminated due to leaking lubricants.

**Caution!** It is not possible to repair the electric parts of this pump. The power cord cannot be replaced. If the power cord or the plastic-encased and encapsulated motor piece is damaged, the entire device must be scrapped.

**Warning!** Electric shocks can be dangerous to life. Therefore, absolutely obey the following instructions:

- The pump can only be operated on a properly earthed and insulated socket.

**Caution!** On standing water, garden ponds, swimming ponds and near them, the pump can only be used with a fault current circuit breaker with a rated current of up to 30 mA. Observe local regulations for connection to power supply, too. The pump must not be operated in swimming pools, paddling pools of any kind or other water bodies with people's or animals' being present during operation. It is not permitted to operate the pump while people or animals are in the danger zone.

- Pumps equipped with a 10 m mains cable, min. H05RN-F, can only be operated outside of buildings.
- Pull the power plug before any maintenance work.
- Should the pump cable or the plug be damaged, the cable must not be repaired. In that case, the pump must not be operated any longer.
- The pump can only be used for pumping water.
- The pump must never be suspended from the pressure line or a live cable.
- The pump must be protected from frost.
- Children must not have access to the pump; take the appropriate preventive measures.
- Using power cords, extension cords, connection cords or adaptors without safety contact is not permitted.

## Main components and scope of delivery

*Main components (Fig. 1)*

No	Name	No	Name
1	Fountain pump	6	Fountain tube
2	Suction basket with BIOCELL insert	7	Stepped fountain
3	Transport handle	8	Bell-shaped fountain
4	Sleeve	9	Bubbles-forming fountain
5	Spout connection		

*Scope of delivery*

- Open the packaging to carefully take out the device.
- Remove the packaging material as well as all packaging and transport locks (if present).
- Check the delivery for completeness.
- Check the device and its accessories for transport damages.
- If possible, keep the packaging until the expiration of the warranty period.

**Warning!** The device and its packaging material are not children's toys! Children must not play with plastic bags, foils, and small parts! There is a risk of swallowing and suffocation!



The delivery is complete with the following pieces being present:

- fountain pump
- sleeve
- spout connection
- fountain tube
- stepped fountain
- bell-shaped fountain
- bubbles-forming fountain
- operation manual

### Intended use

- Powerful universal fountain pump for continuous use in garden ponds
- Oil-free motor
- Stator hermetically resin-encapsulated
- Permanent magnet rotor surrounded by water

**Note:** Even if this product is intended for continuous use, it must be protected from frost. Therefore, it is recommended to decommission the pump if there is a risk of frost.

The device can only be used for its intended use. Any other use is to be considered as improper. In that case, it is the user, not the manufacturer, who is liable for any damage or injuries.

### Technical specifications

<b>Voltage (V)</b>	220–240	
<b>Frequency (Hz)</b>	50	
<b>Power absorption (W)</b>	50	
<b>Max. flow rate (<math>\frac{l}{h}</math>)</b>	1750	
<b>Max. head (m)</b>	–	1.6
	<b>with stepped fountain</b>	1.1
	<b>with bubbles-forming fountain</b>	0.32
<b>Max. immersion depth (m)</b>	3	
<b>Max. bell-forming fountain diameter (m)</b>	0.45	
<b>Protection type</b>	IPX8 (waterproof)	
<b>Max. water temperature (°C)</b>	35	

### Before commissioning

Make sure before connecting the pump that the data on the nameplate match the mains data.

### BIOCELL suction filter

The suction filter of the fountain pump works with a BIOCELL filter insert. BIOCELL, a special material, allows a natural, biological cleaning of the water. Normal mechanical filters only can hold back dirt particles such as plant residues, dead insect, etc.; but it is during biological filtering that dirt and turbid substances are disintegrated as well. This is done by nitrifying bacteria. BIOCELL, a porous material



specially developed for biological filtering, offers these bacteria ideal reproduction conditions. Inside the BIOCELL filter, toxic organic substances are transformed into natural plant food – a natural process particularly contributing to the biological balance of your garden pond.

### Assembly (Fig. 1)

- Attach the spout connector **(5)** to the fountain pump **(1)** using the sleeve **(4)**.
- Then attach the fountain tube **(6)** by screwing it onto the spout connection **(5)**. The flange-and-seal side must point upwards.
- Finally, you can choose whether to attach the stepped fountain **(7)**, the bell-shaped fountain **(8)** or the bubbles-forming fountain **(9)** to the fountain tube **(6)**.

### Power connection

The device that you have purchased is already provided with a safety plug. The device is intended for connection to a safety socket with 230 V ~ 50 Hz. Make sure that the socket outlet is adequately fused (min. 6 A) and is in perfect working order. Insert the power plug into the socket – the device is then immediately ready for use.

### Commissioning

- When commissioning the pump, obey the above security instructions.
- Place the pump on a horizontal surface that is slightly above the pool/pond floor, which prevents the device from being excessively contaminated from the bottom sludge
- Make sure that the inlets on the suction basket are not blocked.
- Make sure that the pump is entirely covered with water. Do not operate the pump if it is outside the water or if it protrudes above the water surface.

### Operation

The pump has 3 operation modes:

- only as fountain (stepped fountain, bell-shaped fountain, or bubbles-forming fountain)
- together with the spout connection to operate a water game
- only with the spout connection to operate a water game

#### *Operation with fountain only (see Fig. 2)*

When placing the pump in the pond/pool, make sure that the fountain head protrudes above the water surface. If only using the fountain, you must close the stopcock **(A)** of the spout connection by turning it a quarter turn clockwise. The stopcock **(B)** must be open (see Fig. 2).

#### *Operation of fountain and spout connection (see Fig. 2)*

Mounting the pump is done as described above. You can connect additional water game with an inner tube diameter of 13 mm or 20 mm to the spout connection. The spout connection is opened by turning the stopcock **(A)** counter-clockwise.

#### *Operation with spout connection only (see Fig. 3)*

Therefore, the stopcock **(B)** must be turned 90°. The stopcock **(A)** must be open. Thus, all the water flows through the spout connection, no water flows through the fountain.



## After commissioning

In case you do not need the pump any longer, pull out the plug. Then let the device cool down to ambient temperature and disassemble it. Maintain the parts. Finally, you may store the fountain pump in a place designated therefore.

## Replacing the power cord

**Warning!** The power cord of this device cannot be replaced. With the power cord being damaged, the entire device must be scrapped.

## Cleaning and maintaining the pump

**Warning!** Before maintaining the device, always pull the power plug.

### *Cleaning*

- Cleaning the device is recommended after every use.
- Regularly clean the device using a damp cloth and a small quantity of soft soap. Do not use detergents or solvents, for these substances might attack the plastic parts. Make sure that the power cord and other electrical components are not damaged.
- Water penetrating an electric device increases the risk of electric shock.

### *Maintenance*

- For the device to work during a long service life and for its operation to be uninterrupted, it is advisable to regularly control and maintain the pump.
- In case the head or flow rate drops, the filter must be cleaned with lukewarm water.
- In case of hard water, regularly clean the rotating parts of the pump.
- Before prolonged periods of non-use and before winter storage, the pump must thoroughly be rinsed with water and completely emptied. Allow the pump to be stored in a dry place.
- In case of risk of frost, the pump must entirely be emptied.
- After prolonged periods of non-use, check by briefly switching on and off the device if the motor turns freely.

To disassemble the pump, proceed as follows:

### **Always pull the plug beforehand!**

1. Loosen the suction basket **(2)** by turning it the direction of the arrow (see Fig. 4).
2. Unscrew the screw counter-clockwise (Fig. 5, 1).
3. **Caution!** There are two washers at either end of the rotor that might fall out when you remove the cover and rotor. Be careful not to lose them and put them back when re-assembling the device.
4. Turn the rotor cover on the underside of the pump counter-clockwise (Fig. 5, 2), then remove the rotor (Fig. 6).
5. Clean the rotor and pump with clear water, re-assemble the device in reverse order.

## Storing

Store the device and its accessories in a dark, dry, and frost-free place. The best storing temperature is between 5 °C and 30 °C. Store the device in its original packaging.





## Troubleshooting

Problem	Possible cause	Solutions
The device does not start.	No voltage	Check voltage.
The device does not pump.	Blocked inlet sieve	Clean inlet sieve with water jet.
	Bent pressure tube	Unbend.
The flow rate is insufficient.	Blocked inlet sieve	Clean inlet sieve with water jet.
	Reduced performance by heavily contaminated water and abrasive components in the water	Clean device, replace wearing parts.

**Caution!**  
**The pump must not run dry!**

## Disposal regulations

EU guidelines regarding the disposal of scrap electric appliances (WEEE, 2012/19/EU) were implemented in the law related to electrical and electronic equipment and appliances.

All WiTec electric devices that fall under the WEEE regulations are labelled with the crossed-out wheeled waste bin logo. This logo indicates that this electric equipment must not be disposed with the domestic waste.

The company WiTec Technik GmbH has been registered in the German registry EAR under the WEEE-registration number DE45283704.

Disposal of used electrical and electronic appliances (intended for use in the countries of the European Union and other European countries with a separate collection system for these appliances).

The logo on the article or on its packaging points out that this article must not be treated as normal household waste but must be disposed to a recycling collection point for electronic and electrical waste equipment. By contributing to the correct disposal of this article you protect the environment and the health of your fellow men. Environment and health are threatened by inappropriate disposal.



Material recycling helps reduce the consumption of raw materials.

Additional information on recycling this article can be provided by your local community, municipal waste disposal facilities, or the store where you purchased the article.

Address:  
WiTec Wildanger Technik GmbH  
Königsbenden 12 / 28  
D-52249 Eschweiler

Important notice:

The reprint or reproduction, even of excerpts, and any commercial use, even in part, of this instruction manual require the written permission of WiTec Wildanger Technik GmbH.