

User's manual

Forestial Pulley

62568, 62569, 62570



Illustration similar, may vary depending on model

Please read and follow the operating instructions and safety information prior to initial operation.

Technical changes reserved!

Illustrations, functional steps, and technical data may deviate insignificantly due to continuous further developments.



The information contained in this document may alter at any time without prior notice. No part of this document may be copied or otherwise duplicated without prior written consent. All rights reserved. WilTec Wildanger Technik GmbH cannot be held liable for any possible mistakes in this operating manual, nor in the diagrams and illustrations shown.

Although WilTec Wildanger Technik GmbH has made every possible effort to ensure that this operating manual is complete, accurate, and up-to-date, errors cannot be ruled out entirely.

If you have found an error or wish to suggest an improvement, we look forward to hearing from you. Send us an e-mail to:

service@wiltec.info

or use our contact form:

<https://www.wiltec.de/contacts/>

The most recent version of this manual in several languages can be found in our online shop:

<https://www.wiltec.de/docsearch>

Our postal address is:

WilTec Wildanger Technik GmbH
Königsbenden 12
52249 Eschweiler Germany

To return your goods for exchange, repair, or other purposes, please use the following address. Attention! To allow for a trouble-free complaint or return, it is important to contact our customer service team before returning your goods.

Retourenabteilung
WilTec Wildanger Technik GmbH
Königsbenden 28
52249 Eschweiler Germany

E-mail: **service@wiltec.info**
Tel: +49 2403 55592-0
Fax: +49 2403 55592-15



Introduction


Thank you for choosing to purchase this quality product. To minimise the risk of injury, we ask you to always take some basic safety precautions when using this product. Please read this operating manual carefully and make sure that you understand it.

Keep these operation instructions in a safe place.

General safety instructions

Read the entire user's manual for your proper safety before mounting the device. Keep the user's manual in a dry, safe, and light-protected spot.

The correct use of the pulley is securely pulling a charge – depending on the weight indications. Do not use the pulley for any other purpose.

- Remove all packaging material.
- Check the device for possible damage.
- Keep the packaging material as long as possible.
-  **Warning!** Packaging material is not a toy! Keep all packaging parts out of children's reach.
Danger of suffocation!

Safety instructions

Attention! Before using the device, read the user's manual thoroughly to minimise the risk of damages and injuries.

- Before using the device, check the cable pull for completeness, functionality, tightness of all screws, and proper condition of the clippers.
- Never use a damaged cable pull. Should the cable pull or cable be broken or damaged, the cable pull needs to be replaced.
- The device may only be used for pulling a charge that does not exceed the weight specified by the manufacturer.
- Never dispose the cable around the object in a loop.
- Never dispose the cable around a corner.
- Make sure that the hooks are properly fixed to the object before tightening the pulley.
- Never use the device as towing rope.
- Never allow children near the cable pull.
- Make sure that no part of your body can come near parts turning or tightened.
- Always wear suitable safety/work clothing.
- Never pull both levers at the same time.
- Never apply excessive force when using the device.
- Never push the locking lever down with the cable being tightened.
- Do not use other extension bars.
- Never work on a charge.
- Never insert the rope on the side with the anchor bolt, otherwise it will not be properly clamped and proper working cannot be guaranteed.
- Make sure that no dirt impairs the proper function of the device.
- If possible, do not work alone; in event of an accident, the person who is not injured can call for help.
- Keep your work zone clean. Any untidy work zone invites accidents.
- Always keep your working area well illuminated.
- Keep children and bystanders away from your work zone.
- Do not stoop down too far. Always ensure a safe stand and keep your balance.
- Always stay vigilant and concentrate on all individual steps.

- Before using the device, check its condition to know if it is proper. The slightest deformation or damage can endanger the safety of use.
- Do not use the device when being tired or under the influence of alcohol, drugs, or medicine.
- Have a qualified person check the device if it is damaged.
- Keep your hands away from spots where they could be squeezed.

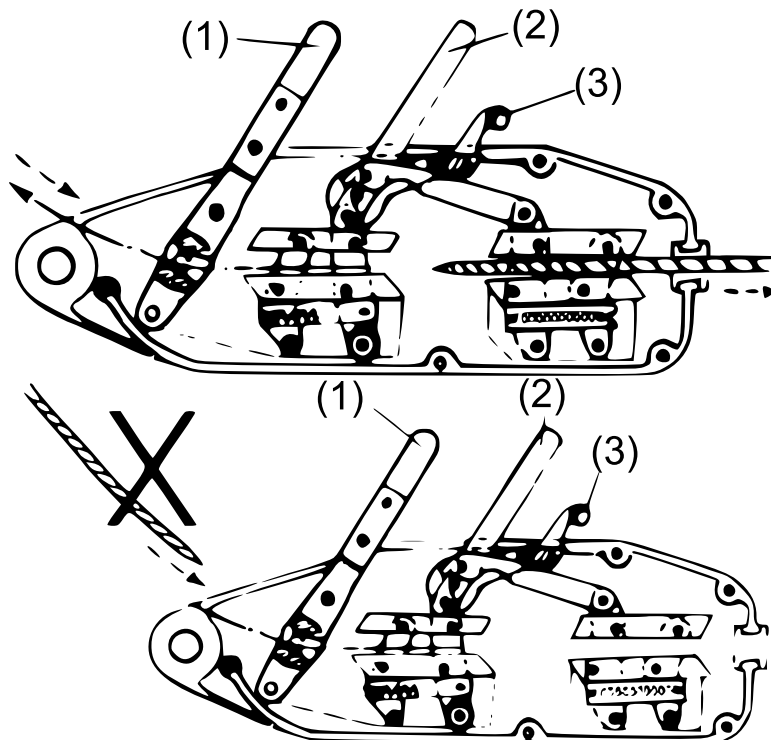
Operation



Warning! NEVER exceed the maximum charge of the device. NEVER use the device to lift objects. ONLY use it for pulling.

Inserting the cable

1. Press the locking lever down and push it towards the reverse lever until the locking lever clicks into place.
2. Slide the rope into the opening through the entire winch and pull it through as far as possible.
3. Press the locking lever down and pull it forward to tighten the cable.
4. By pulling the forward or reverse lever, you can move in or tighten the cable.



| Nº | Name | Nº | Name |
|----|---------------|----|---------------|
| 1 | Forward lever | 3 | Locking lever |
| 2 | Reverse lever | | |



Attention! Never insert the cable on the anchor side, as it cannot be properly clamped otherwise.

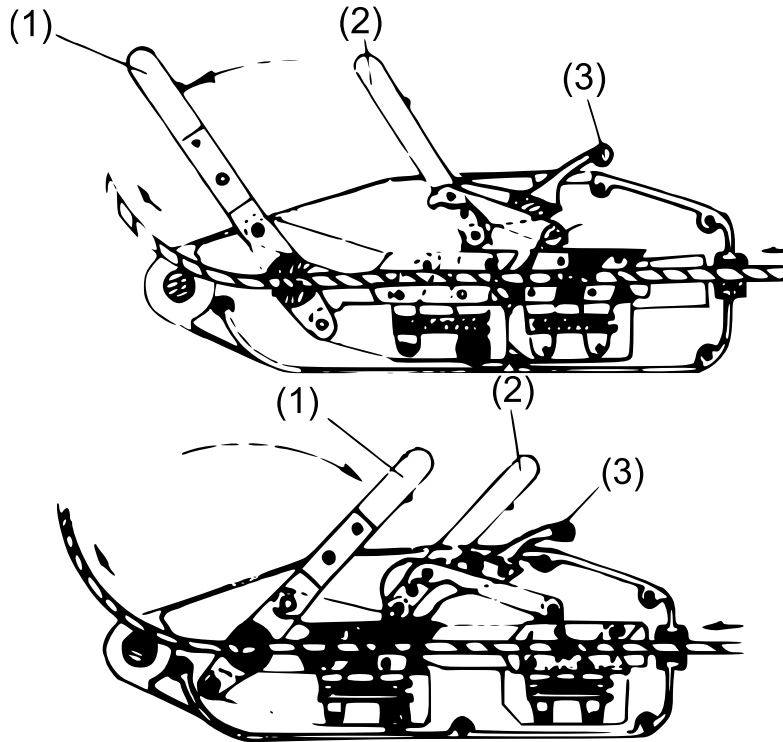
Anchor bolt

1. The anchor bolt is to fix the winch.
2. To insert the anchor, the bolt needs to be turned twice to pass the bolt notch past the screw.
3. Fix the cable or hook to the anchor and secure the winch.
4. Fix the cable of the winch to the charge.

5. Insert the cable into the winch.
6. **Attention!** Insert the cable above the anchor bolt to ensure free running.

Retracting the cable

1. To retract the cable, move the forward lever forward and backward.
2. The extension bars will help you to increase the leverage when retracting or untightening the cable.



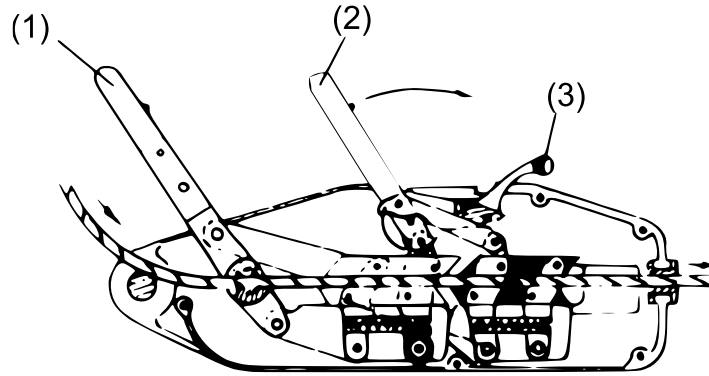
| Nº | Name | Nº | Name |
|----|---------------|----|---------------|
| 1 | Forward lever | 3 | Locking lever |
| 2 | Reverse lever | | |

Untightening the cable

1. To untighten the cable, move the reverse lever forward and backward.
2. As soon as you stop moving the levers, the cable is clamped by the clamping jaws.
3. To untighten the cable, press the locking lever down and towards the reverse lever until it clicks in place. You will now be able to retract the cable.

Attention!

- Never push the locking lever down with the cable being tightened. Push the reverse lever instead to untighten the cable.
- After work, clean the cable and check it for damages.
- After retracting the cable, untighten the locking lever to bring the clamping jaws to their initial position.



| No | Name | No | Name |
|----|---------------|----|---------------|
| 1 | Forward lever | 3 | Locking lever |
| 2 | Reverse lever | | |

Technical specifications

| Item number | 62568 | 62569 | 62570 |
|------------------------------|----------------------|---------------|------------|
| Max. capacity (kg) | 800 | 1600 | 3200 |
| Total dimensions (cm) | 42.8×6.4×23.5 | 54.5×9.7×28.6 | 66×11.6×35 |
| Cable | Length (m) | 20 | 20 |
| | Diameter (mm) | 8.3 | 11 |
| Weight (kg) | 6 | 12 | 23 |

Important Note:

Reproduction and any commercial use (of parts) of this operating manual, requires a written permission of WilTec Wildanger Technik GmbH.