

Operation Manual

Pressure Washer

62571



Illustration similar, may vary depending on model

Read and follow the operating instructions and safety information before using for the first time.

Technical changes reserved!

Due to further developments, illustrations, functioning steps and technical data can differ insignificantly.

Updating the documentation

If you have suggestions for improvement or have found any irregularities, please contact us.



The information contained in this document may alter at any time without previous notice. It is prohibited to copy or spread any parts of this document in any way without prior written allowance. All rights reserved.

The WilTec Wildanger Technik GmbH cannot be held accountable for any possible mistakes in this operating manual, nor in the diagrams and figures shown.

Even though, the WilTec Wildanger Technik GmbH has undergone biggest possible efforts to ensure that the operating manual is complete, faultless and up to date, mistakes cannot be entirely avoided.

If you should find a mistake or wish to make a suggestion for improvement, we look forward to hearing from you.

Send an e-mail to:

service@wiltec.info

or use our contact form:

<https://www.wiltec.de/contacts/>

The most recent version of this manual in various languages can be found in our online shop via:

<https://www.wiltec.de/docsearch>

Our postal address is:

WilTec Wildanger Technik GmbH
Königsbenden 12
52249 Eschweiler
Germany

Do you wish to pick goods up? Our pick-up address is:

WilTec Wildanger Technik GmbH
Königsbenden 28
52249 Eschweiler
Germany

To shorten the waiting time and allow for a rapid on-site transaction, we ask you to call us previously or placing your order via the webshop.

E-mail: service@wiltec.info

Tel: +49 2403 55592-0

Fax: +49 2403 55592-15

To return orders for exchange, repair or for other purposes, please use the following address. Attention! To allow for a smooth execution of your complaint or return, it is important to contact our customer service team before returning the goods.

Returns Department
WilTec Wildanger Technik GmbH
Königsbenden 28
52249 Eschweiler

E-mail: service@wiltec.info

Tel: +49 2403 55592-0

Fax: +49 2403 55592-15

Introduction

Thank you for purchasing this quality product. **To minimize the risk of injury we urge that our clients take some basic safety precautions when using this device. Please read the operation instructions carefully and make sure you have understood its content.**

Keep these operation instructions safe.

Safety instructions

- This pressure washer has exclusively been designed for private outdoor use and is therefore not suitable for commercial use. Keep this device away from heat, direct sunlight, moisture, rain, ice as well as sharp edges in order to prevent it from being damaged.
- This device must not be used unless the user has carefully read this instruction manual and familiarised himself with the device and its functions.
Warning! The pressure washer must not be used by children or individuals with reduced physical, sensory or mental capabilities, or lack of experience and/or knowledge. Children have to be supervised at all times in order to ensure that they do not play with the device.
- Before starting the pressure washer, thoroughly check it for possible faults. The device must not be started if damaged or showing signs of wear, and should instead be handed to a qualified expert for repairs to be performed.
- Ensure to carefully check the power cord insulation and make sure that it is in perfect condition. If the power cord should be damaged, do not try to repair it. A damaged power cord must not be repaired and has to be replaced by a qualified electrician.
- **Warning!** This device can be dangerous if used inappropriately. Never direct the high-pressure water jet towards people, animals, fragile items, objects connected to the mains supply or the device itself.



- **Warning!** Do not use the device while people are present in the work area, unless they are equipped with adequate safety equipment capable of protecting them from the high-pressure water jets. Do not abuse the high-pressure water jets in order to clean shoes or clothings.
- Always stay attentive when using the device and make sure to firmly hold the pressure washer sprayer. Do not use this device if you are tired or exhausted or under the influence of alcohol, drugs or medication.
- The user as well as all individuals within the work area and its vicinity have to take all necessary measures in order to protect themselves from fragments that might possibly chip and be hurled across the work area.
- Always wear protective gloves, protective goggles and other adequate protective gear when using the pressure washer.
- **Warning!** This device has been designed to be used with a cleaning agent provided or recommended by the manufacturer of the device. The use of other cleaning agents or chemicals may impair the safety of the device or even damage the device.



- Before performing any kind of cleaning or maintenance work on the device, always make sure to turn the device off and to disconnect it from the mains supply.
- Only use authorised spare parts of equal quality in order to guarantee the safe and proper function of the device.
- Do not use the device if its power cord or other important components, such as security devices, the hose or the sprayer, are damaged.
- Do not expose the device to moisture or high levels of humidity and immediately disconnect it from the mains supply if it should have got wet. Do not operate the device with wet hands and do not place it next to or inside a water body.
- Be aware that tyre valves can be damaged by the high-pressure water jet, which may cause the tyre to burst.
- Never use the device within an explosive environment.
- Asbestos-containing material or surfaces must not be cleaned or worked on with this device. High-pressure water or air directed at materials containing asbestos will release toxic particles that can be lethal.
- This device must not be used in environments with temperatures below 0°C.
- **Attention!** The hoses, couplings and accessories are important for the integrity and safety of the device. Only use hoses, couplings and accessories of equal quality authorised by the manufacturer.
- **Warning!** Inappropriately secured, damaged or insufficiently long extension cords can be dangerous. Cables and cable reels always have to be unwound completely in order to prevent the cable from overheating.
- If the device stops to function, do not try to perform repairs by yourself and instead entrust qualified personnel with the task of performing the necessary repairs.

Power supply

When connecting the pressure washer to the mains supply, make sure to consider to the following information:

- The socket-outlet which the pressure washer is supposed to be connected to must have been installed by a qualified electrician.
- It is recommended to connect the device to a power supply equipped with a residual current-operated protective device with a rating of 30 mA. This device will automatically halt the power supply if the operating current should exceed 30 mA for more than 30 ms.

Water supply

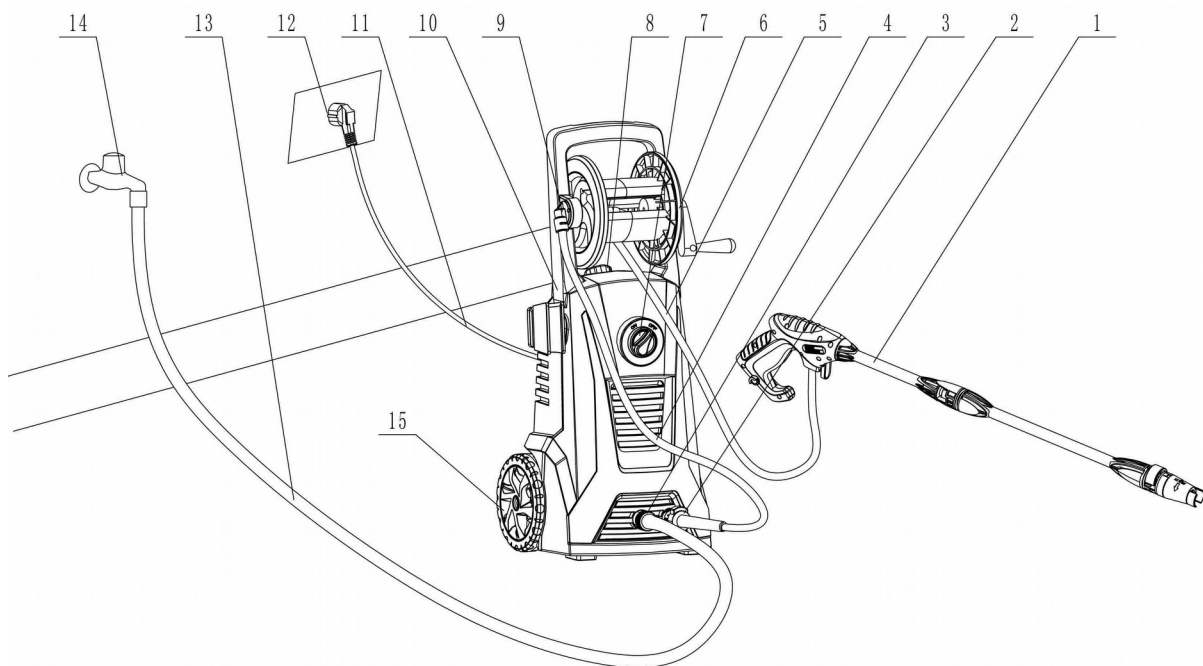


In accordance with the effective guidelines, the device must not be connected to the drinking water supply without the use of a device preventing the backflow of the water. Water flowing through a backflow preventer is not considered drinkable.

Warning! Always connect the backflow preventer to the water supply and not directly to the pressure washer.

Technical Specifications

Rated pressure	110 bar
Maximum pressure	165 bar
Flow rate	5.5 l/min
Output	2200 W
Voltage	220-240 V, 60 Hz
Sprayer vibration	Max. 2.25 m/s ²



N ^o	Name	N ^o	Name
1	Sprayer	9	Pressure hose connector
2	Pressure hose intake	10	Machine frame
3	Water hose connector	11	Power cord
4	Short pressure hose	12	Power plug
5	Pressure hose	13	Water supply hose
6	Hose reel	14	Water tap
7	Power switch	15	Wheels
8	Integrated tank for cleaning agents		

First application

This section contains detailed information on how the pressure washer is readied for use.

Safety appliances

The unloading valve reduces the pressure, if it should exceed the previously set values.

The pressure washer is equipped with a lock function that blocks the trigger when used and thereby ensures that the device cannot be used unintentionally.

Thermic sensor

The internal thermic sensor of the pressure washer efficiently protects the motor from overheating by automatically turning it off if a certain temperature is exceeded. Once the motor and sensor have cooled down, the pressure washer will restart and can be operated again. The cooling process should thereby only take a few minutes.

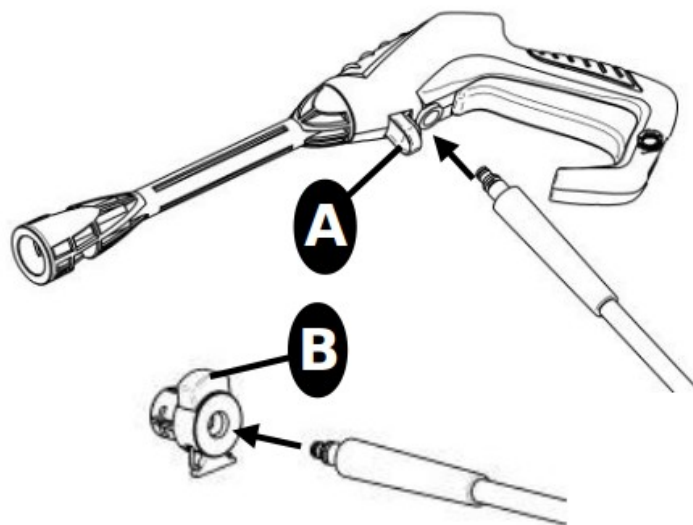
Operation

Water hose connection

- Screw the water inlet coupling to the water inlet.
Note: Always place the inlet filter inside the inlet before the coupling is attached. This is necessary in order to protect the pump valves of the device from damage caused by sand, limestone and other pollutants.
- Properly attach the hose to the water hose coupling of the device and then connect it to the water tap.

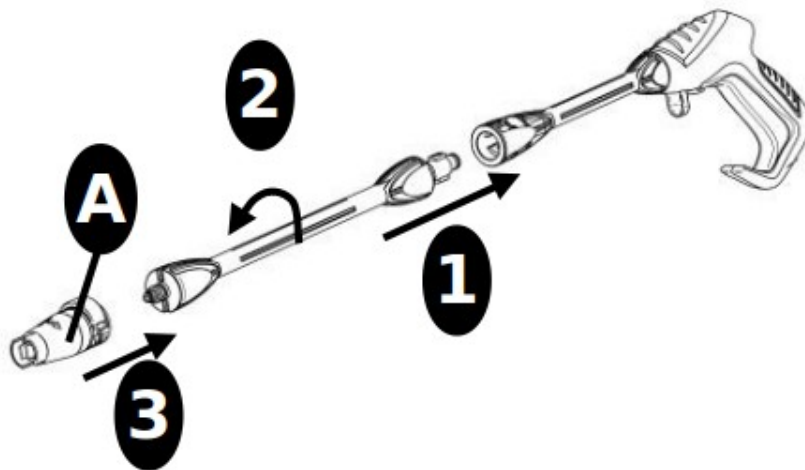
Pressure hose connection

First connect the pressure hose to the sprayer and then to the device frame. The pressure hose can be removed again by pressing the safety catch (A) located on the sprayer and the button (B) located on the inlet coupling of the frame.



Sprayer assembly

- Assemble the sprayer by connecting the jet pipe and the spray gun.
- Once connected, turn the jet pipe in order to lock it in place. **Attention:** Before connecting the sprayer to the pressure cleaner, make sure that the jet pipe is firmly and correctly attached to the spray gun.
- Place the nozzle on the free end of the jet pipe. **Attention:** When attaching the nozzle, the lock indicator button (A) located on the nozzle should pop out. Before connecting the sprayer to the pressure washer, check the nozzle in order to ensure that it has been connected correctly.



Water supply

Follow the instructions of your water supplier. Information concerning the supply line can be found on the nameplate/in the technical specifications. Always use an enhanced hose (not included in the scope of delivery) with a standard connection (outer diameter: 16 mm, inner diameter: 12 mm) and a maximum length of 25 m.

Important! Only use clean water without pollutants. If the water is for example obtained from a well, an additional filter has to be used in order to prevent sand particles and other pollutants from damaging the device. Let the water run through the hose before connecting the same to the device in order to prevent sand and dirt from entering the device.

Note: Always check if the filter has been placed within the water inlet of the device and make sure it is not clogged. Connect the water hose to the water supply via coupling (max. pressure: 10 bar, max. temperature: 60°C).



Starting and turning off the device

The sprayer (1) and its jet pipe are under pressure during operation and have to be wielded with both hands. **Important:** Direct the nozzle at the ground and check if the pressure washer is placed in an upright position before starting the device. **Note:** Do not place the device in high grass!

1. Unlock the lock of the trigger.
2. Pull the trigger of the sprayer (1) and let water flow until the remaining air has escaped from the hose.
3. Use the power switch (7) and set it to the "I" position in order to start the device.
4. Pull the trigger of the sprayer (1).
5. Always adjust the distance and pressure to the surface that is supposed to be cleaned.

Note: The pressure cleaner must not be covered during operation and must not be operated within a room without sufficient ventilation. If the pressure washer is not in use for 5 or more minutes, the device has to be turned off.

1. Use the power switch (7) and set it to the "0" position in order to stop the device.
2. Disconnect the device from the mains supply by carefully removing the power plug (12) from the socket-outlet.
3. Close the water supply and pull the sprayer trigger (1) in order to release the pressure from the device.
4. Use the trigger lock in order to lock the sprayer and prevent an unintentional activation.

Note: If the trigger is not being pulled, the device will automatically stop its operation and will restart as soon as the trigger is being pulled again.

Multiple nozzle

The pressure of the water released by the nozzle can be adjusted. **Warning:** Never try to adjust the pressure while the device is operating in order to prevent severe injuries from your hand being hit by the high-pressure water jet.

Setup

Fig. 1

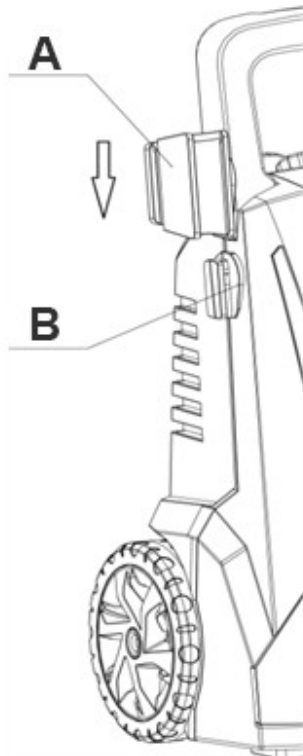


Fig. 2

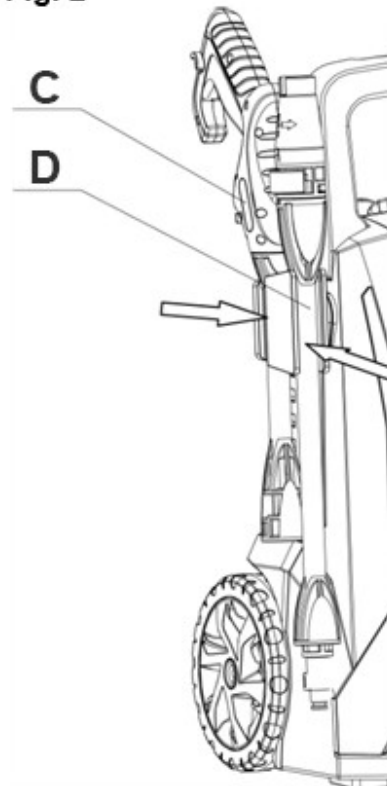


Fig. 3

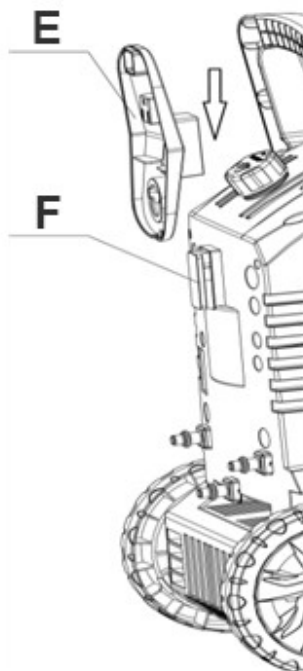
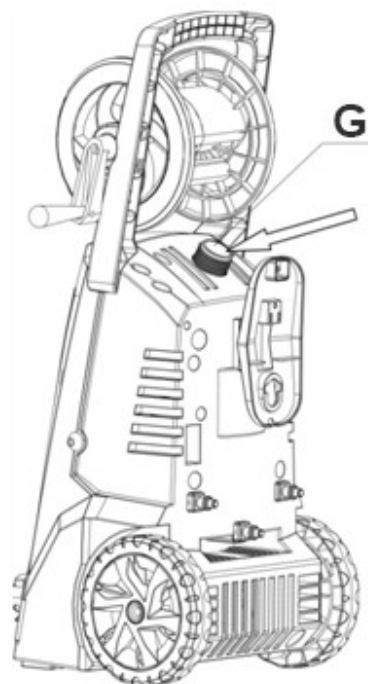


Fig. 4





1. Mount the sprayer fixture (Fig. 1, A) as well as the guide bar (Fig. 1, B) to the side of the pressure washer frame.
2. Place the sprayer (Fig. 2, C) on the fixture (Fig. 1, A) and attach the jet pipe (Fig. 2, D) to the guide bar (Fig. 1, B)
3. Attach the cable bracket (Fig. 3, E) to the device by sliding it into the mounting rail (Fig. 3, F) located at the back of the device.
4. Remove the locking cap of the cleaning agent tank (Fig. 4, G) and insert appropriate cleaning agents. Close the tank after filling it and make sure that it is closed properly and that liquids do not leak from it.

Storage

The device should always be stored in a frost-protected environment!

The pump, hose and accessories should always be freed from residual water before the device is being stored. Abide by the following steps in order to successfully free the device of residual water:

- Stop the operation by setting the power switch into the "0" position and carefully remove the pressure and water supply hoses from the device, as well as the nozzle from the sprayer.
- Restart the device and pull the sprayer trigger. Keep it pulled until water stops flowing through the sprayer.
- Stop the device, disconnect it from the mains supply and carefully roll up the cable and hose.
- Clean all the accessories and properly dry them.
- Store them in their respective holders.

Warning: Never use the device in a freezing environment or after it has been exposed to such an environment and low temperatures before. In this case allow the device to acclimatise properly before putting it to use.

Maintenance

Warning! Always make sure to disconnect the device from the mains supply before performing cleaning, repairs or maintenance work.

Consider the following notes in order to ensure the functionality of the device and to prolong its service life:

- Rinse the pressure and water hoses as well as the jet pipe and other accessories with clear water before assembling the device.
- Clean the nozzle as well as all junctions in order to remove dust and sand. It is further advised to rinse the hoses with clean water after every use.
- Repairs should only be performed by qualified experts and spare parts should be authorised parts of equal quality.

Cleaning the internal filter

1. Make sure to clean the filter at least once a month and more often if the device is used frequently.
2. Carefully remove the filter with help of a screw driver and clean it. Make sure to check its integrity before reinserting it.
3. The filter always has to be installed when the device is being used in order to protect the pump valves from sand particles and other pollutants.



Cleaning the air valves

The device should be kept clean in order to allow the air valves to cool the device and its motor.

Lubricating the connections

In order to ensure smooth and proper junctions and to keep o-rings from drying out, the junctions should be lubricated regularly.

Troubleshooting

Problem	Possible cause	Potential solution
The device does not start	<ul style="list-style-type: none"> • Device is not connected to the mains supply • Malfunctioning socket-outlet • Fuse has blown • Damaged extension cord 	<ul style="list-style-type: none"> • Connect the device • Try another socket-outlet • Replace the fuse • Disconnect other devices • Replace the extension cord or try operate the device without
Pressure fluctuations	<ul style="list-style-type: none"> • Pump draws air • Valves are dirty, blocked or worn • Insufficient water supply • Pump seal is worn 	<ul style="list-style-type: none"> • Check impermeability of hoses and connections • Increase the water pressure, check for blockage and/or exchange the hose • Consult a qualified expert
The device stops its operation	<ul style="list-style-type: none"> • Fuse has blown • Incorrect line voltage • Overheating protection is active • Partially clogged nozzle 	<ul style="list-style-type: none"> • Replace the fuse • Disconnect other devices • Check if voltage conforms to the nameplate of the device • Device needs to cool down for 5 minutes • Clean the nozzle with a needle
Fuse has blown	<ul style="list-style-type: none"> • Fuse is too small • Increase of amperage 	<ul style="list-style-type: none"> • Replace with a sufficient fuse • Try operating without extension cord
Device sputters	<ul style="list-style-type: none"> • Air inside the hose/pump • Insufficient water supply • Partially blocked water jet • Water filter is clogged • Buckled hose 	<ul style="list-style-type: none"> • Pull the trigger to release air until the air has been drained • Increase the water pressure, check for blockage and/or exchange the hose • Clean the nozzle with a needle • Clean the filter • Unfold the hose
Device turns on and off on its own	<ul style="list-style-type: none"> • Fuse or pump control malfunctions • Insufficient water supply 	<ul style="list-style-type: none"> • Consult a qualified expert • Connect to sufficient water supply
Device is running, but no water is released	<ul style="list-style-type: none"> • Dirty or clogged water filter • Blocked nozzle 	<ul style="list-style-type: none"> • Clean the water filter • Clean the nozzle with a needle

EG-Konformitätserklärung

Declaration of Conformity / Declaration de Conformity

(gemäß den Richtlinien 2006/42/EC Maschinenrichtlinie)

Reference Nummer: AM 50378916 0001, 15066600 008

Firma / Company / Société	WilTec Wildanger Technik GmbH Königsbenden 12 52249 Eschweiler, Deutschland
erklärt, dass das Produkt:	Hochdruckreiniger
Type:	BY02-VBP-BWTR, BY02-VBP-B-WT 2200 W Artikel 62571
Verwendungszweck:	Reinigung von Flächen, Schutzklasse II, Schutzart IPX5, 220-240 V ~ 50 Hz

mit den folgenden EG-Rats-Richtlinien übereinstimmt:
This appliance is in conformity with the following european directives:
Cet appareil est conform aux diirectives européennes:

2006/42/EC

Es ist nach folgenden harmonisierten Normen geprüft worden:
It has been tested with the following harmonised standards:
Il a été testé à partir des norms harmonisées suivantes:

EN 60335-1 :2012+A11, EN 60335-2-79 :2012, EN 62233 :2008

Bevollmächtigter für die Zusammenstellung der technischen Unterlagen:

Bernd Wildanger, Geschäftsführer WilTec Wildanger Technik GmbH
Königsbenden 12
52249 Eschweiler
Deutschland

Eschweiler, 22.Mai 2017, Gültig bis 21. Mai 2022



Bernd Wildanger

Geschäftsführer

Das Produkt kann in allen EU-Staaten ohne Einschränkungen eingesetzt werden (sowie in anderen Staaten, die den EU-Richtlinien folgen).

Disposal regulations

EU guidelines regarding the disposal of scrap electric appliances (WEEE, 2012/19/EU) were implemented in the law related to electrical and electronic equipment and appliances.

All WiITec electric devices that fall under the WEEE regulations are labelled with the crossed-out wheeled waste bin logo. This logo indicates that this electric equipment must not be disposed with the domestic waste.

The company WiITec Technik GmbH has been registered in the German registry EAR under the WEEE-registration number DE45283704.

Disposal of used electrical and electronic appliances (intended for use in the countries of the European Union and other European countries with a separate collection system for these appliances).

The logo on the article or on its packaging points out that this article must not be treated as normal household waste but must be disposed to a recycling collection point for electronic and electrical waste equipment. By contributing to the correct disposal of this article you protect the environment and the health of your fellow men. Environment and health are threatened by inappropriate disposal.



Materials' recycling helps reduce the consumption of raw materials.

Additional information on recycling this article can be provided by your local community, municipal waste disposal facilities or the store where you purchased the article.

Address:
WiITec Wildanger Technik GmbH
Königsbenden 12 / 28
D-52249 Eschweiler

Important notice:

The reprint or reproduction, even of excerpts, and any commercial use, even in part of this instructions manual require the written permission of WiITec Wildanger Technik GmbH.