

Operation Manual

Workshop Crane 500 kg 62599



Illustration similar, may vary depending on model

Please read and follow the operating instructions and safety information prior to initial operation.

Technical changes reserved!

Illustrations, functional steps, and technical data may deviate insignificantly due to continuous further developments.



The information contained in this document may alter at any time without prior notice. No part of this document may be copied or otherwise duplicated without prior written consent. All rights reserved. WilTec Wildanger Technik GmbH cannot be held liable for any possible mistakes in this operating manual, nor in the diagrams and illustrations shown.

Although WilTec Wildanger Technik GmbH has made every possible effort to ensure that this operating manual is complete, accurate, and up-to-date, errors cannot be ruled out entirely.

If you have found an error or wish to suggest an improvement, we look forward to hearing from you. Send us an e-mail to:

service@wiltec.info

or use our contact form:

<https://www.wiltec.de/contacts/>

The most recent version of this manual in several languages can be found in our online shop:

<https://www.wiltec.de/docsearch>

Our postal address is:

WilTec Wildanger Technik GmbH
Königsbenden 12
52249 Eschweiler Germany

To return your goods for exchange, repair, or other purposes, please use the following address. Attention! To allow for a trouble-free complaint or return, it is important to contact our customer service team before returning your goods.

Retourenabteilung
WilTec Wildanger Technik GmbH
Königsbenden 28
52249 Eschweiler Germany

E-mail: **service@wiltec.info**
Tel: +49 2403 55592-0
Fax: (+49 2403 55592-15)



Introduction

Thank you for choosing to purchase this quality product. To minimise the risk of injury, we ask you to always take some basic safety precautions when using this product. Please read this operating manual carefully and make sure that you understand it.

Keep these operation instructions in a safe place.

Technical specifications

Max. charge capacity (kg)	500
Lifting height (mm)	340–2130
Capacity of lifting arm (kg)	500 / 375 / 250 / 125
Length of lifting arm (mm)	755–1215

Safety instructions

- Keep your work area tidy and make sure that it is well lit. Working in untidy and badly lit areas increases the risk of injuries.
- Respect the local working regulations and conditions of your working area. Do not use the product in a humid environment or in storing areas. Do not expose it to rain.
- Children must not enter the working area and must be supervised to be sure that they do not play with the device.
- If not in use, the product needs to be stored in a dry location to prevent rust from forming. Make sure as well that the crane stored is inaccessible to children and other unauthorised persons.
- Use the tool that matches the respective job to do. Never use the crane for a purpose that it is not intended to. Do not modify the crane in any way. Only use the device for the purpose intended and at an appropriate speed.
- Wear appropriate clothing. Do not wear loose clothing or jewellery, as they could be caught in moving parts.
- Do not lean too much forward and do not take unnecessary risks. Ensure a safe stand and keep your balance.
- Keep your tools and devices clean to ensure optimal and safe operation and performance. While doing so, respect the instructions of the manual.
- Do not use the device when being tired or under the influence of alcohol, drugs, or medicine. Stay alert when using the device to reduce the risk of injuries.
- Before every use, thoroughly check the product to find damages. Do not use it if parts are damaged or cannot be used properly.
- Only use identical spare parts for maintenance. Only use accessories designed for use with this device.
- Make sure that the charge is secured in such a way that it cannot shift or slip off. **NEVER LIFT CHARGES ABOVE PERSONS' HEADS!** Charges not secured or badly secured can lead to serious or even fatal injuries.
- Maintenance must be regular to ensure safe and correct operation of the crane. Nevertheless, it should only be performed by qualified persons.
- Never exceed the maximum capacity of the crane and keep in mind that the charge moving shifts its weight. A swinging charge suspended on the chain or a charge being dragged might cause a momentary overcharge. This can lead to damage of the crane, charge, or to serious injuries.
- Note that this product must not be used to lift engines or other parts of airplanes.
- Do not try to move the crane with a charge being lifted; otherwise, there is a risk of the crane tipping over. Therefore, only move the crane when the lifting arm is in the lowest position.



- Only use the crane on a firm and solid surface that can bear the charges specified; thus, you will avoid collapses and unintentional rolling away. Thus, you will also minimise the risk of the charge swinging and risk of injuries.
- Make sure that no nobody stands in the way of the crane when you move it.

Intended use

This workshop crane has been designed for lifting and maintaining light lorry and automobile engines. To be able to lift these charges, the crane requires a balancer and/or chains. Note that neither a balancer nor chains are included in the scope of delivery. After charging the engine, place it as quickly as possible on an appropriate workplace.

Operation

1. To lift the arm, close the drain valve of the hydraulic cylinder. Now, with the help of the lever, pump the arm to the height where you wish it to be.
2. To extend the length of the lifting arm, remove the bolt and nut of the arm when the crane is uncharged. Pull the extension rod out until the holes of the arm and extension are on top of each other. Fix the arm extension in its new position by inserting the bolt. Secure the bolt with the help of the nut.

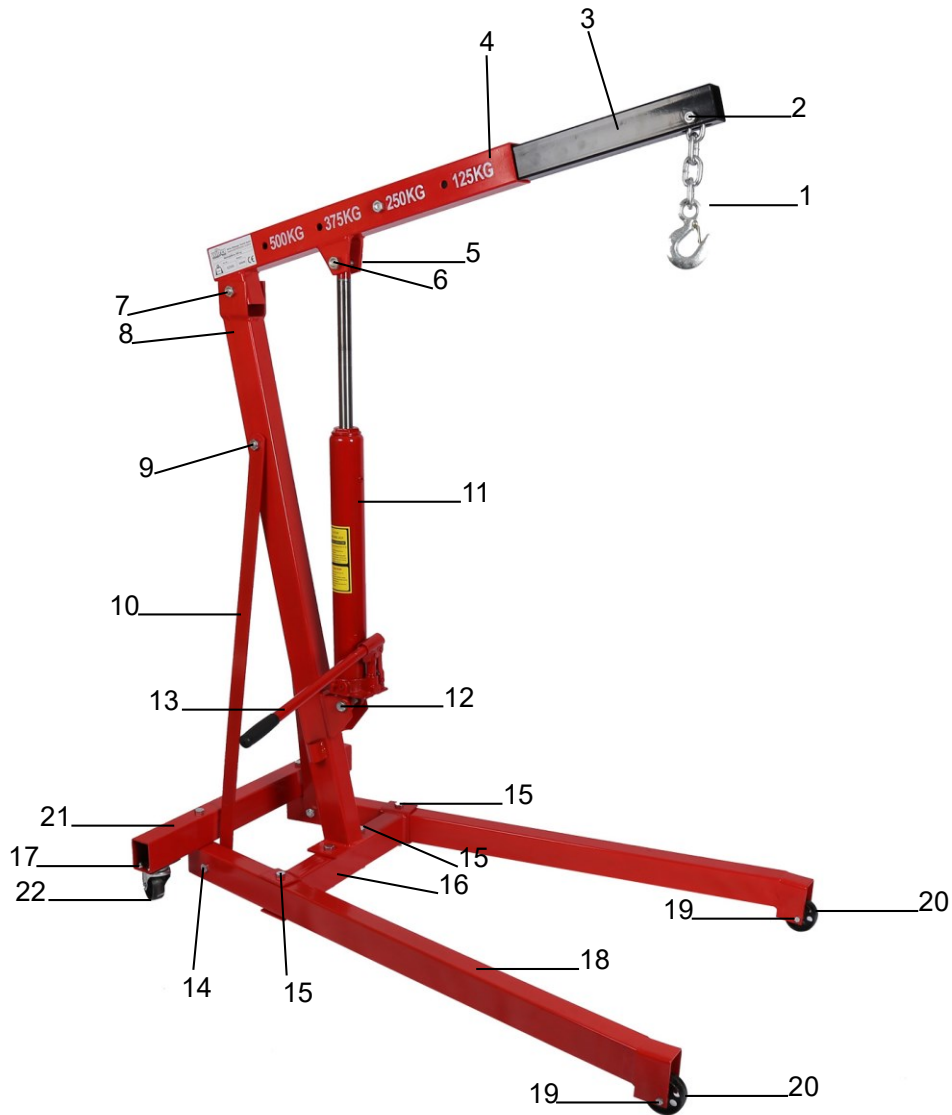
Warning! The maximum capacity of the crane must not be exceeded. Exceeding the maximum capacity might lead to serious injuries and damages. Note that, the more the arm is extended, the more the maximum capacity is reduced.

3. Place the crane so that the object to be lifted is directly beneath the hook.
4. By slightly opening the drain valve, the hook can be lowered. Then attach the hook to the object to be lifted. Make sure that the safety lock of the hook is entirely closed. To lift the object, close the drain valve and, with the lever, pump the arm to the desired height.

Caution! Be utterly careful when lifting a charge. Make sure that the charge is properly secured and cannot swing. Badly secured or swinging objects can slide off the hook.

5. Lower the charge again to transport it carefully with the crane.

Components and component list



Nº	Name	Qty.	Nº	Name	Qty.
1	Hook	1	12	16×80 mm screw	1
2	12×50 mm bolt	1	13	Lever	1
3	Arm extension	1	14	14×70 mm bolt	2
4	Lifting arm	1	15	14×90 mm bolt	4
5	14×60 mm bolt	1	16	Base frame	1
6	16×60 mm bolt	1	17	8×16 mm bolt	8
7	14×70 mm bolt	1	18	Support	2
8	Support column	1	19	8×60 mm bolt	2
9	14×80 mm bolt	1	20	∅ 70 mm steel roll	2
10	Back brace	2	21	Base frame	1
11	Hydraulic cylinder	1	22	∅ 70 mm castor	2

Assembly pictures



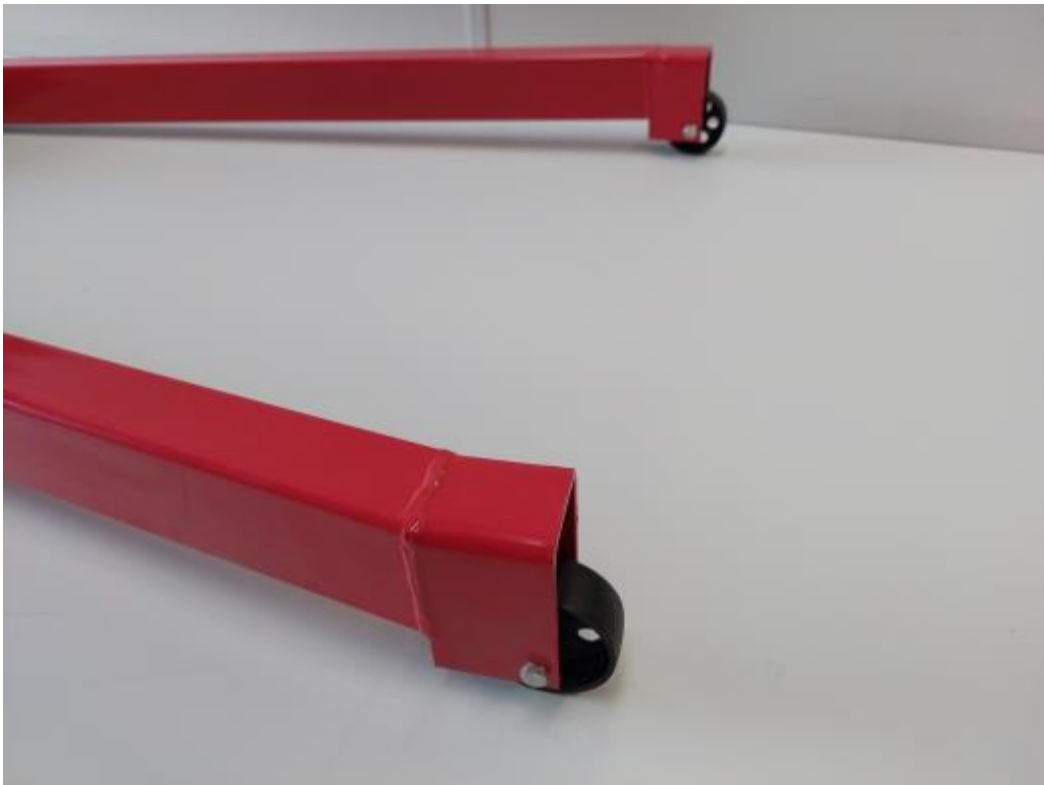
Step 1



Step 2



Step 3



Step 4



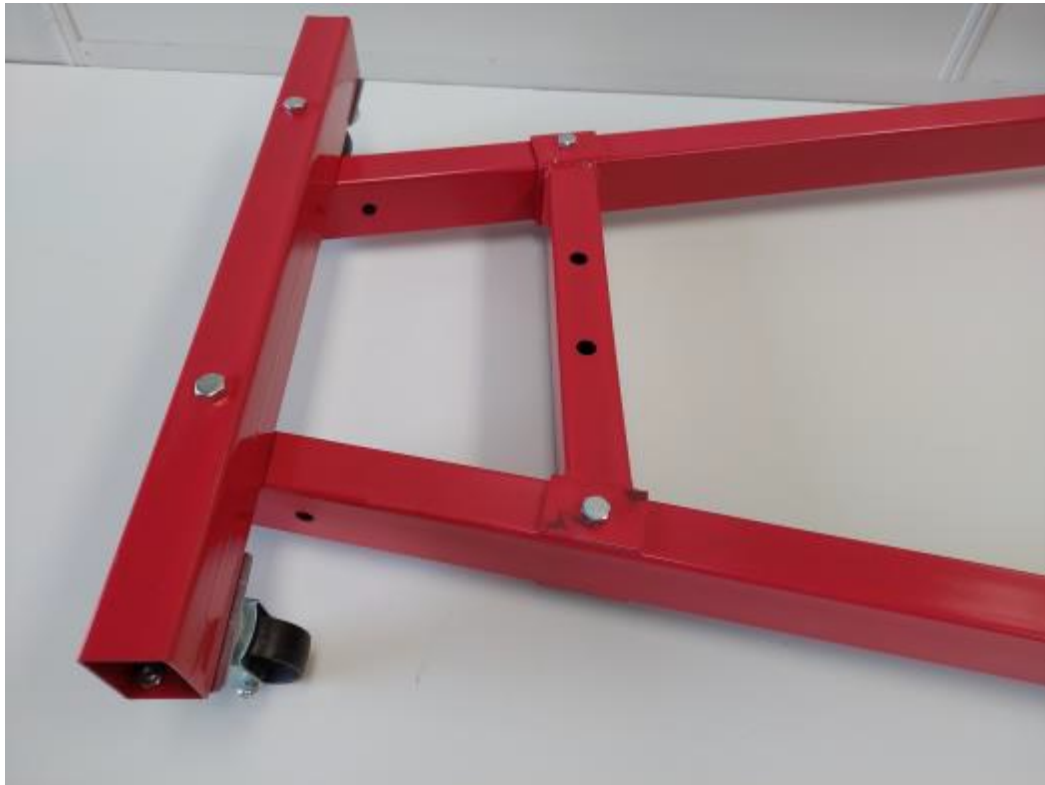
Step 5



Step 6



Step 7



Step 9



Step 10



Step 11



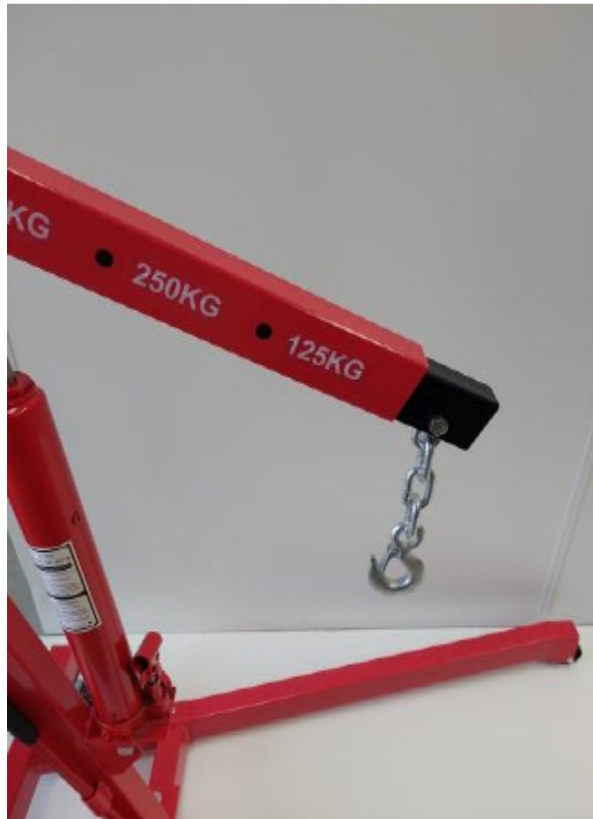
Step 12



Step 13



Step 14



Step 15

Maintenance

- Before every single use, check the entire installation to make sure that the crane is in a proper operating condition.
- Make sure that both the hook and chain are proper and free from grease, dirt, and deposits.
- Should the crane not operate properly, a presence of air inside the system is probable. Follow the steps below to remove the air from the system:
 1. First, make sure that the hydraulic cylinder is in its initial position (its piston rod being fully lowered).
 2. Then, remove the oil plug and top up with hydraulic oil.
 3. Now, begin to pump until the lifting arm has reached its maximum height.
 4. Open the drain valve and press the lifting arm down until the cylinder is fully retracted.
 5. Add some more hydraulic oil and re-install the oil plug.
 6. Repeat the step above if necessary.
- To clean the crane, it is recommended to use a damp cloth and a mild detergent.
- Should the lifting force be reduced, check the oil level inside the tank and top up with hydraulic oil if necessary.

Important Note:

Reproduction and any commercial use (of parts) of this operating manual, requires a written permission of WilTec Wildanger Technik GmbH.