

Operation Manual

Trolley

62680, 62681, 62682



Illustration similar, may vary depending on model

Read and follow the operating instructions and safety information before using for the first time.

Technical changes reserved!

Due to further developments, illustrations, functioning steps, and technical data can differ insignificantly.

Updating the documentation

If you have suggestions for improvement or have found any irregularities, please contact us.



The information contained in this document may alter at any time without previous notice. It is prohibited to copy or spread any parts of this document in any way without prior written allowance. All rights reserved.

The WilTec Wildanger Technik GmbH cannot be held accountable for any possible mistakes in this operating manual, nor in the diagrams and figures shown.

Even though, the WilTec Wildanger Technik GmbH has undergone biggest possible efforts to ensure that the operating manual is complete, faultless, and up to date, mistakes cannot be entirely avoided.

If you should find a mistake or wish to make a suggestion for improvement, we look forward to hearing from you.

Send an e-mail to:

service@wiltec.info

or use our contact form:

<https://www.wiltec.de/contacts/>

The most recent version of this manual in various languages can be found in our online shop via:

<https://www.wiltec.de/docsearch>

Our postal address is:

WilTec Wildanger Technik GmbH
Königsbenden 12
52249 Eschweiler
Germany

To return orders for exchange, repair, or other purposes, please use the following address. Attention! To allow for a smooth execution of your complaint or return, it is important to contact our customer service team before returning the goods.

Returns Department
WilTec Wildanger Technik GmbH
Königsbenden 28
52249 Eschweiler

E-mail: **service@wiltec.info**

Tel: +49 2403 55592-0

Fax: +49 2403 55592-15



Introduction

Thank you for purchasing this quality product. **To minimise the risk of injury we urge that our clients take some basic safety precautions when using this device. Please read the operation instructions carefully and make sure you have understood its content.**

Keep these operation instructions safe.

Safety instructions

Certain tasks and operations must not be performed with this trolley as they might lead to personal injury or property damage.

- The transport of persons is not allowed.
- Do not transport objects above persons' heads.
- Loads must be lifted vertically. Diagonal pull must not be performed.
- Do not attempt to free jammed loads by tearing at them.
- Do not leave lifted loads unobserved.
- Do not reach into the moving parts.
- It is prohibited to use the trolley to tear objects off, loosen, or pull them horizontally.
- The maximum load capacity of the trolley must not be exceeded.
- Check the trolley for damage and signs of wear before using it. A damaged trolley must not be used and must be repaired by qualified personnel before it can be used again.
- Always make sure the trolley is properly and securely connected to the beam before using it.
- Check the rollers of the trolley before every use. It is important to inspect the side clearance between the rollers and the beam.
- Before using the trolley, always check the screw retention as well as the fastening of the traverse.
- The personnel intended to operate the trolley must have read and understood the information and instructions stated within this operation manual and must be familiar with the device before operating it.
- Do not wear loose clothing, jewellery or accessories and make sure to keep long hair tied up or covered by snood-type cap. Loose accessories, clothing, or long hair might get caught in moving parts and cause severe injuries.
- Labels and signs depicting safety instructions must not be removed or garbled. All security instructions located on the trolley must be kept in readable condition.



Important! The trolley was designed for manual operation and must not be operated with a motor or other means such as a drill.

Assembly

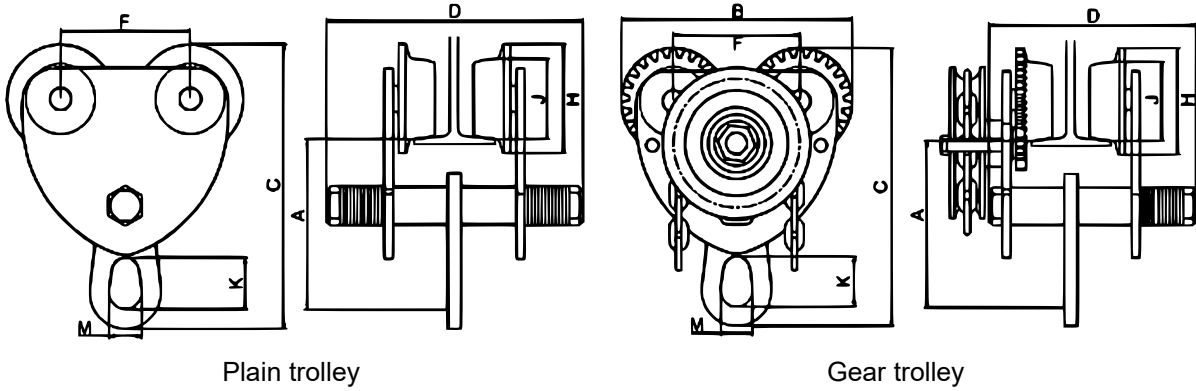
1. Accurately measure the width of the beam, to which the trolley is supposed to be attached to.
2. Equally attach a number of spacers to the inside of the trolley that causes the wheel flanges of the rollers to be 6 mm wider than the width of the beam.
3. Mount the remaining spacers to the outside of the plate assemblies and attach matching nuts to the suspension bolt.
4. A minimum of 1 spacer must be placed on the inside as well as on the outside of every lateral plate (Fig. N).
5. Loosen the nuts of the suspension pin and straddle the lateral plates to enable the rollers to effortlessly slide along the beam.
6. Tighten the previously loosened nuts and make sure they securely rest against the spacers before attaching a light weight to the trolley to confirm that all the rollers contact the beam. Once again tighten the nuts and secure them with the help of locking devices.



Attention! The nuts must be securely fastened before the trolley can be put to use!

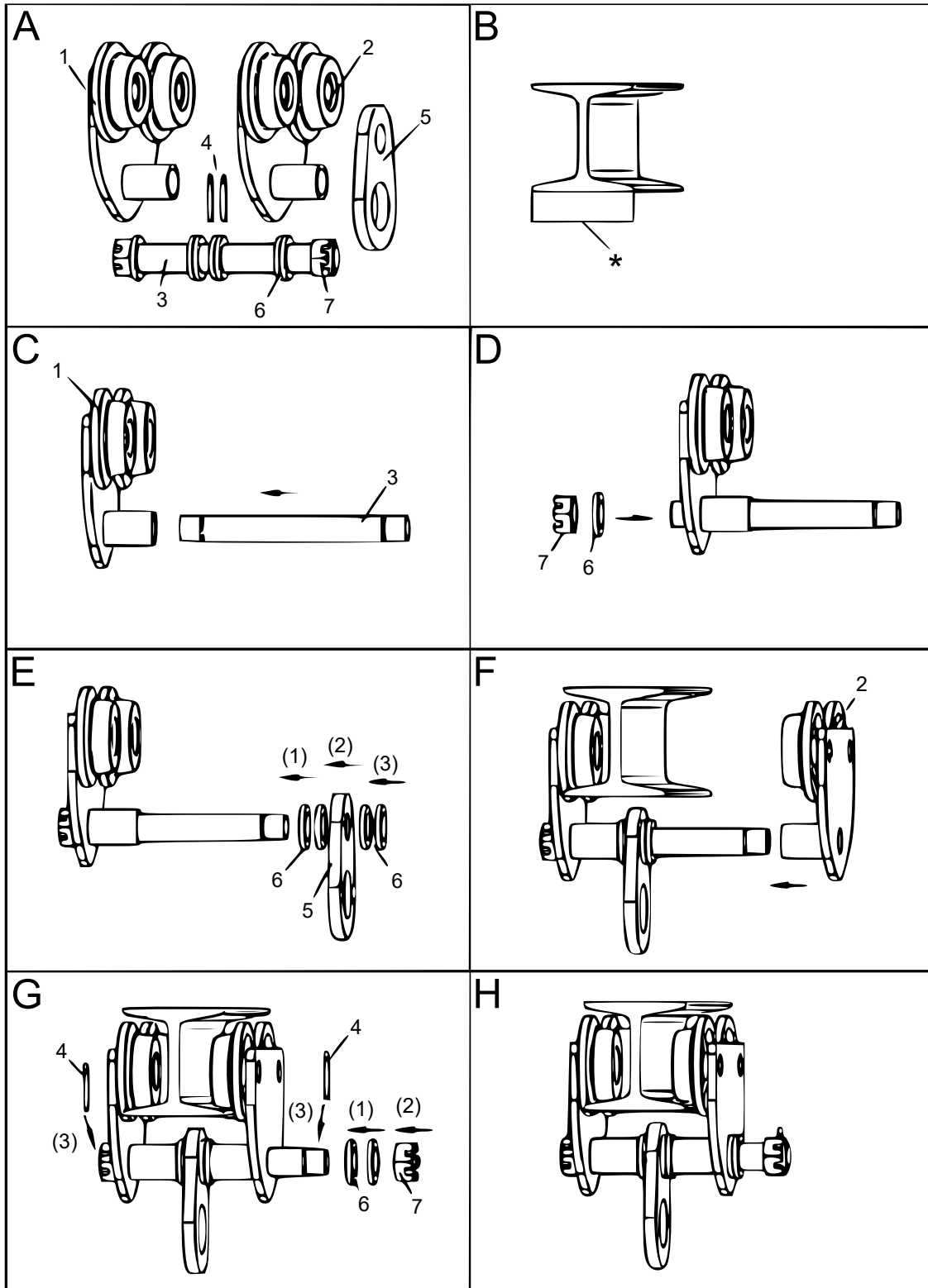


7. If mounting the trolley to a beam requiring its minimum width settings, its suspension pin needs to be moved to prevent it from interfering with the movement of the chain.
8. Attach the maximum safe working load to the trolley and slowly and carefully move it along the entire beam to check the safety of the track.



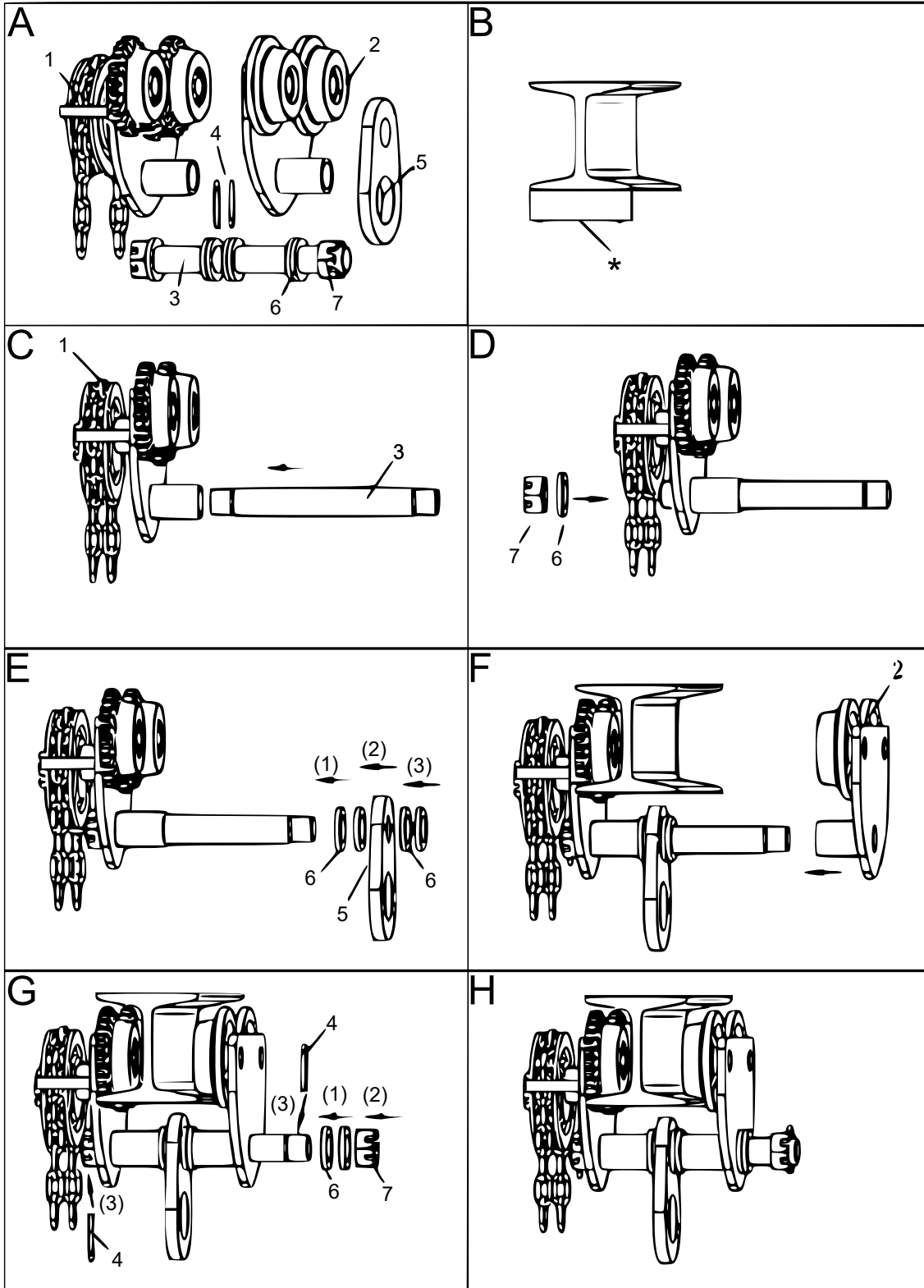
Installation

Plain trolley



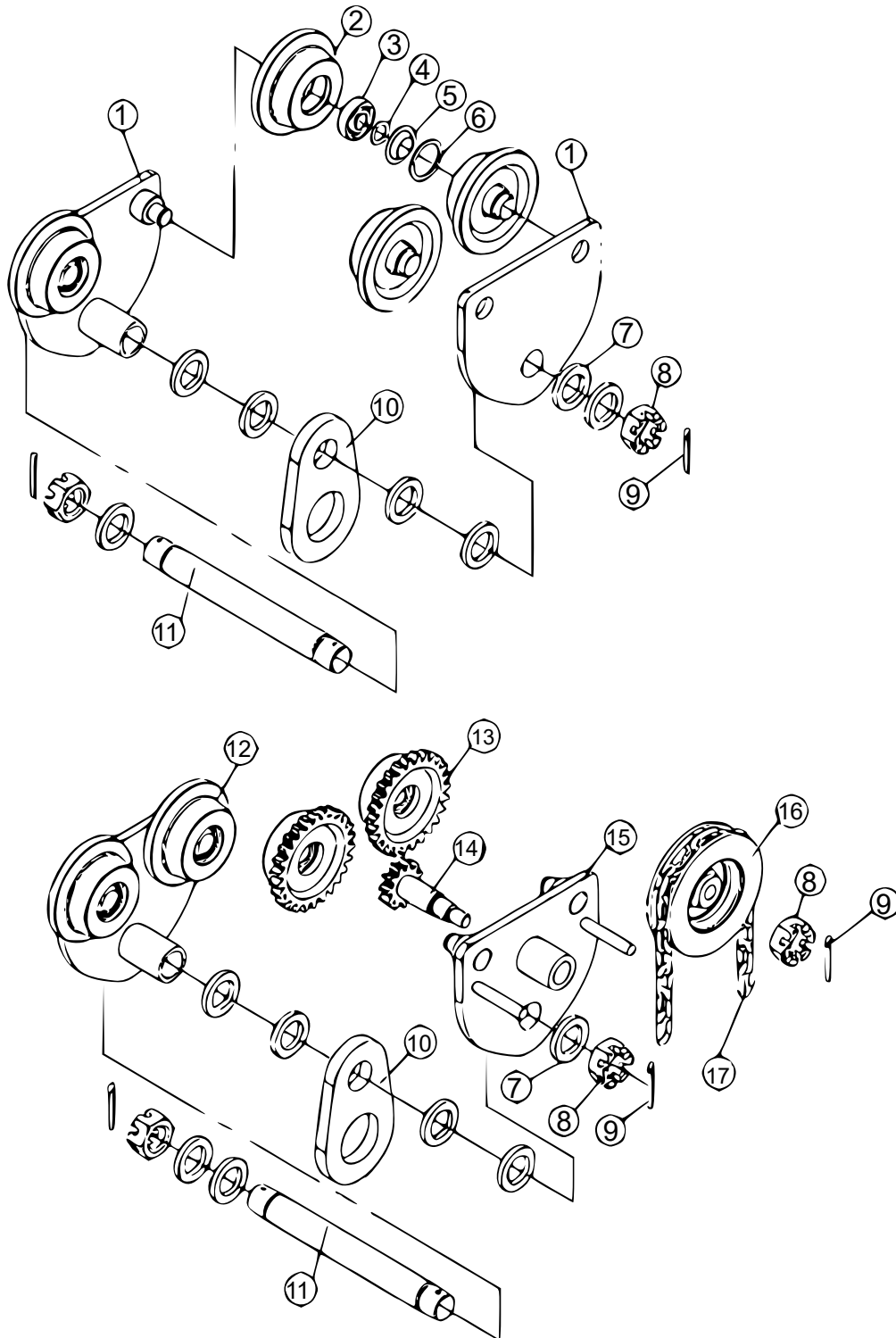
* = Beam width

Gear trolley



* = Beam width

Exploded drawing and parts list





No	Name	No	Name
1	Lateral plates	10	Suspension plate
2	Roller	11	Suspension pin
3	Bearing	12	Left plate assembly
4	Circlip	13	Pinion
5	Bearing cover	14	Drive screw
6	Ball bearing race	15	Right plate assembly
7	Spacer	16	Sprocket
8	Hexagonal nut	17	Hand chain
9	Cotter-pin		

Technical Specifications

Plain trolley

Capacity (t)	Recommended I-beam width (mm)	Weight (kg)	A	B	C	D	E	H	J	K	M	Size (mm)
0.5	75-125	4.1	112	161	188	198	23	72	52	36	25.5	200 × 79 × 155
	75-180	4.2				251						280 × 75 × 155
1	75-125	7.3	119	203	214	220	11	91.5	69	46	29	210 × 80 × 190
	75-180	7.5				262						250 × 85 × 190
2	100-150	10.7	125	225	228	245	14	102	75	46	30	230 × 95 × 195
	100-200	11				293						280 × 105 × 195
3	100-150	17.4	165	274	304	268	8	122	99	76	46	280 × 105 × 245
	100-250	18				318						325 × 110 × 245
5	125-175	28.3	183	302	334	305	21	141	108	100	44	315 × 140 × 320
	125-250	29				380						386 × 140 × 331
10	110-200	61.2	250	367	434	405	36	174	128	93	63	500 × 210 × 350
	110-300	62				503						



Gear trolley

Capacity (t)	Recommended I-beam width (mm)	Weight (kg)	A	B	C	D	E	H	J	K	M	Size (mm)
0.5	75–125	8.55	112	161	188	198	23	72	52	36	25.5	200 × 79 × 155
	75–180	9				251						280 × 75 × 155
1	75–125	10.7	119	203	214	220	11	91.5	69	46	29	210 × 80 × 190
	75–180	11				262						250 × 85 × 190
2	100–150	14	125	225	228	245	14	102	75	46	30	230 × 95 × 195
	100–200	14.5				293						280 × 105 × 195
3	100–150	21.5	165	274	304	268	8	122	99	76	46	280 × 105 × 245
	100–250	22				318						325 × 110 × 245
5	125–175	32	183	302	334	305	21	141	108	100	44	315 × 140 × 320
	125–250	33				380						386 × 140 × 331
10	110–200	70.4	250	367	434	405	36	174	128	93	63	500 × 210 × 350
	110–300	71										

Important note:

Reproduction and any commercial use (of parts) of this operating manual, requires a written permission of WilTec Wildanger Technik GmbH.