

# Operation Manual

**Load Leveller max. 1800 kg, 1.8 t**  
62683

**XPO** the **tool**  
experts



Illustration similar, may vary depending on model

Read and follow the operating instructions and safety information before using for the first time.

Technical changes reserved!

Due to further developments, illustrations, functioning steps, and technical data can differ insignificantly.

Updating the documentation

If you have suggestions for improvement or have found any irregularities, please contact us.



The information contained in this document may alter at any time without previous notice. It is prohibited to copy or spread any parts of this document in any way without prior written allowance. All rights reserved.

The WilTec Wildanger Technik GmbH cannot be held accountable for any possible mistakes in this operating manual, nor in the diagrams and figures shown.

Even though, the WilTec Wildanger Technik GmbH has undergone biggest possible efforts to ensure that the operating manual is complete, faultless, and up to date, mistakes cannot be entirely avoided.

If you should find a mistake or wish to make a suggestion for improvement, we look forward to hearing from you.

Send an e-mail to:

[service@wiltec.info](mailto:service@wiltec.info)

or use our contact form:

<https://www.wiltec.de/contacts/>

The most recent version of this manual in various languages can be found in our online shop via:

<https://www.wiltec.de/docsearch>

Our postal address is:

WilTec Wildanger Technik GmbH  
Königsbenden 12  
52249 Eschweiler  
Germany

To return orders for exchange, repair, or other purposes, please use the following address. Attention! To allow for a smooth execution of your complaint or return, it is important to contact our customer service team before returning the goods.

Returns Department  
WilTec Wildanger Technik GmbH  
Königsbenden 28  
52249 Eschweiler

E-mail: **service@wiltec.info**

Tel: +49 2403 55592-0

Fax: +49 2403 55592-15



## Introduction

Thank you for purchasing this quality product. **To minimise the risk of injury we urge that our clients take some basic safety precautions when using this device. Please read the operation instructions carefully and make sure you have understood its content.**

Keep these operation instructions safe.

## Safety instructions

**Warning!** Non-compliance with the information and instructions contained in this operation manual may lead to personal injury as well as property damage.

- Before using the device, ensure to have read and understood the contents of this operation manual.
- The maximum capacity of the device must not be exceeded at any time.
- Always make sure that loads are adequately secured before lifting them.
- This device must only be used with compatible workshop cranes or hoists, suited for the weight.
- This product must not be altered or modified in any way as this greatly increases the risk of personal injury and property damage.
- When moving, lifting, or lowering a load, always ensure that the load does not swing freely as this might cause it to fall off.
- Only use this product for its intended use. It must not be used to lift or transport people or to perform overhead lifting.
- Check the device before every use and do not use it, if parts are worn or damaged.
- Always wear adequate safety equipment, such as safety shoes, safety gloves or safety goggles, when using this device
- This device is not suited for lifting or moving aeroplanes or their parts.
- Do not work beneath or directly next to lifted loads to minimise the risk of accidents.
- Labels and signs depicting safety instructions must not be removed or garbled. All security instructions located on the trolley must be kept in readable condition.
- This product is not a toy. Make sure to keep it inaccessible to children at any time.
- Keep bystanders away from the working area while operating the device as distractions may lead to a loss of control.
- Do not use this device while being tired or under the influence of alcohol, drugs, or medicine.
- The warnings, instructions and information contained within this operation manual cannot cover every possible scenario that might occur. Always stay attentive and operate the device with care.

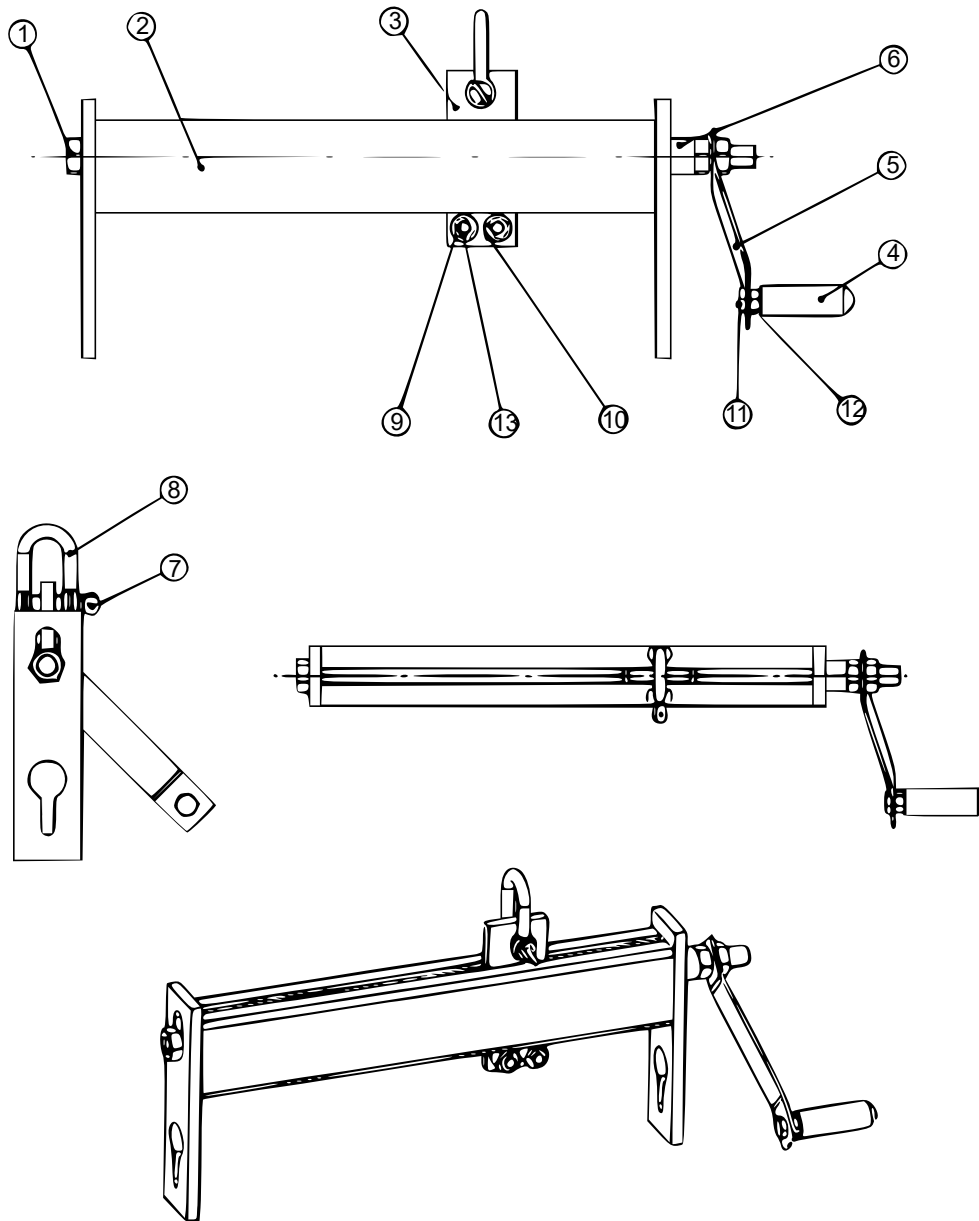
## Assembly

Always attach all the chains to the device by threading them through the respective openings and make thereby sure that the ends hanging from the device are equally long to avoid imbalance and unintended weight shifts that might lead to severe injuries.

## Application

1. Attach the hanger to a crane or hoist (not included in the scope of delivery).
2. Secure the load using all the of the chains available and ensure that they are properly attached.
3. Turn the handle to balance the load attached to the leveller.
4. Turning the handle with will cause the hanger to move across the housing of the leveller.
5. Lower the load and make sure it is securely placed on a suitable surface before removing the chains or the leveller itself. Do not use the device to store loads over a longer period.

**Exploded view and parts list**



Nº	Name	Qty.	Nº	Name	Qty.
1	Threaded rod	1	8	Hanger	1
2	Housing	1	9	Wheel	2
3	Hanger	1	10	Protective cover	4
4	Handle	1	11	Bolt M10×30	1
5	Crank lever	1	12	Nut M10	1
6	Bearing	1	13	Circlip	4
7	Lock screw	1			

**Important note:**

Reproduction and any commercial use (of parts) of this operating manual, requires a written permission of WilTec Wildanger Technik GmbH.