

## User's manual

# Premium Steel Gastronomy Washbasin

62685, 62686, 62687



Illustration similar, may vary depending on model

Read and follow the operating instructions and safety information before using for the first time.

Technical changes reserved!

Illustrations, functional steps, and technical data may deviate insignificantly due to continuous further developments.

Updating the documentation

If you have suggestions for improvement or have found any irregularities, please contact us.



The information contained in this document may alter at any time without prior notice. No part of this document may be copied or otherwise duplicated without prior written consent. All rights reserved. WilTec Wildanger Technik GmbH cannot be held liable for any possible mistakes in this operating manual, nor in the diagrams and illustrations shown.

Although WilTec Wildanger Technik GmbH has made every possible effort to ensure that this operating manual is complete, accurate, and up-to-date, errors cannot be ruled out entirely.

If you have found an error or wish to suggest an improvement, we look forward to hearing from you. Send us an e-mail to:

[service@wiltec.info](mailto:service@wiltec.info)

or use our contact form:

<https://www.wiltec.de/contacts/>

The most recent version of this manual in several languages can be found in our online shop:

<https://www.wiltec.de/docsearch>

Our postal address is:

WilTec Wildanger Technik GmbH  
Königsbenden 12  
52249 Eschweiler Germany

To return your goods for exchange, repair, or other purposes, please use the following address. Attention! To allow for a trouble-free complaint or return, it is important to contact our customer service team before returning your goods.

Retourenabteilung  
WilTec Wildanger Technik GmbH  
Königsbenden 28  
52249 Eschweiler Germany

E-mail: **service@wiltec.info**  
Tel: +49 2403 55592-0  
Fax: +49 2403 55592-15

## Introduction

Thank you for choosing to purchase this quality product. To minimise the risk of injury, we ask you to always take some basic safety precautions when using this product. Please read this operating manual carefully and make sure that you understand it. Keep these operation instructions in a safe place.

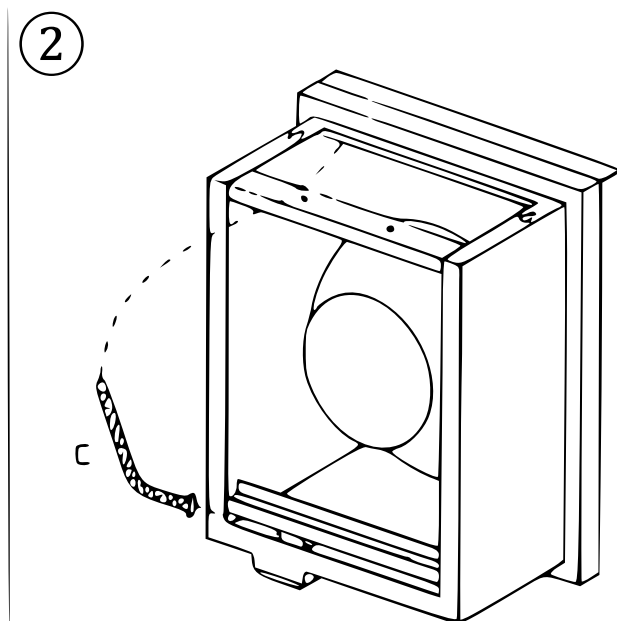
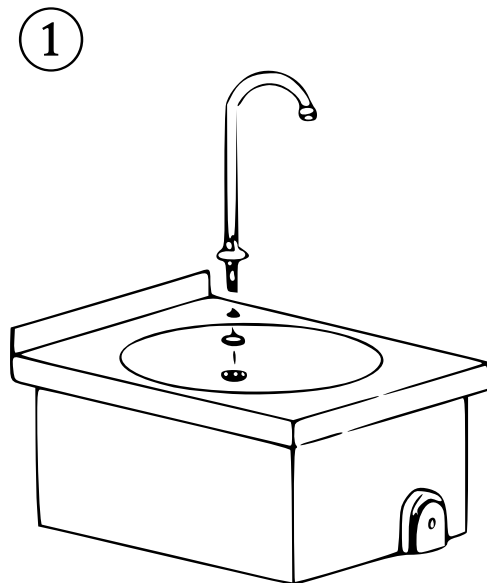
## Safety instructions

- After unpacking, check the washbasin to know that all components are present and to make sure that no part is damaged.
- Make sure that the wall at which you will mount the washbasin can bear the additional weight.
- After making all connections, double-check them to make sure that there are no leakages.
- Regularly clean the washbasin with a soft cloth. For cleaning, do not apply any abrasive or steel brushes, as these could damage the surface of the basin.

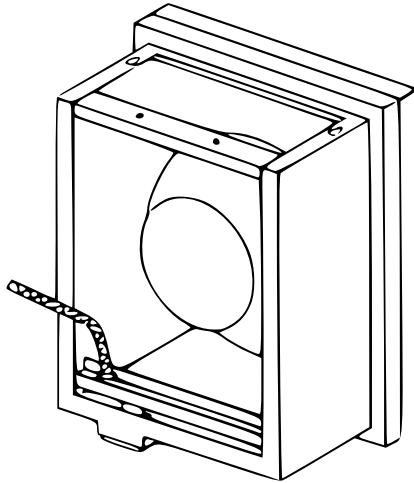
## Assembly

62685

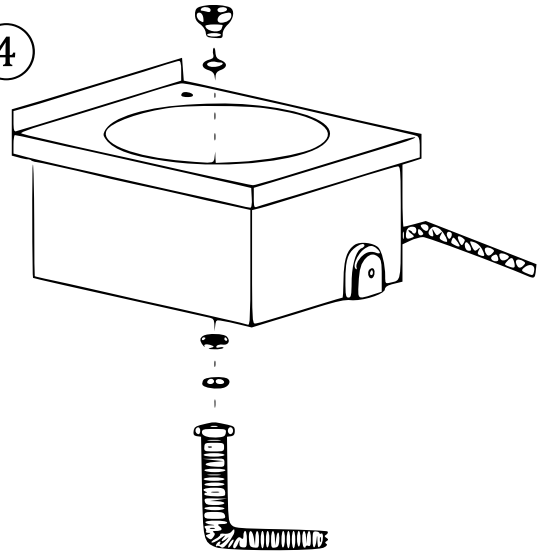
1. Fix the fitting at the appropriate spot of the washbasin (Fig. 1).
2. Fix the flexible hoses to the appropriate spots (one flexible hose from the water connection to the valve, the other one from the valve to water tap, see Fig. 2 and 3).
3. Apply the other components following Fig. 4 and connect the washbasin to the drain pipe.
4. With the help of the mounting material, attach the washbasin to the wall (see Fig. 5).



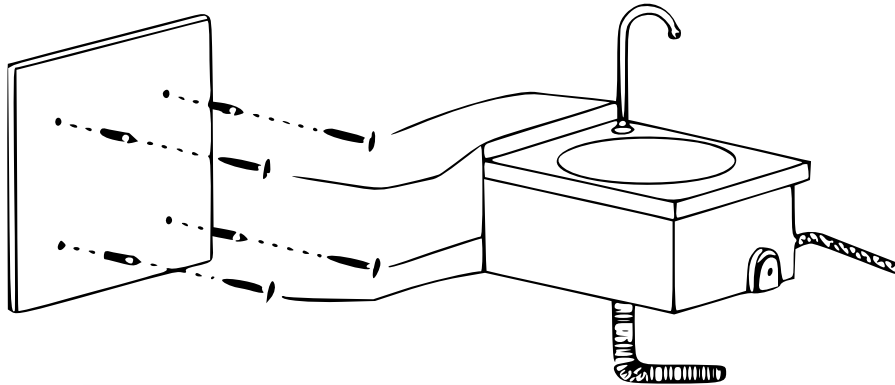
3



4



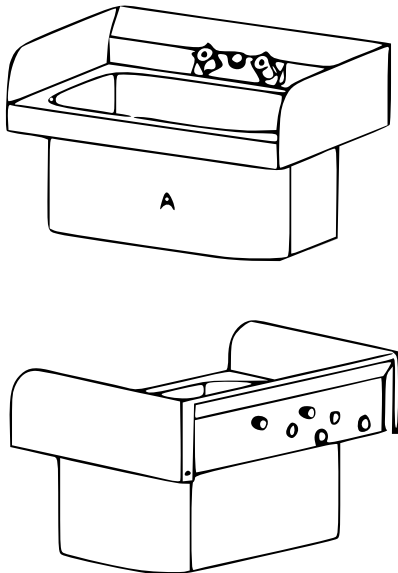
5



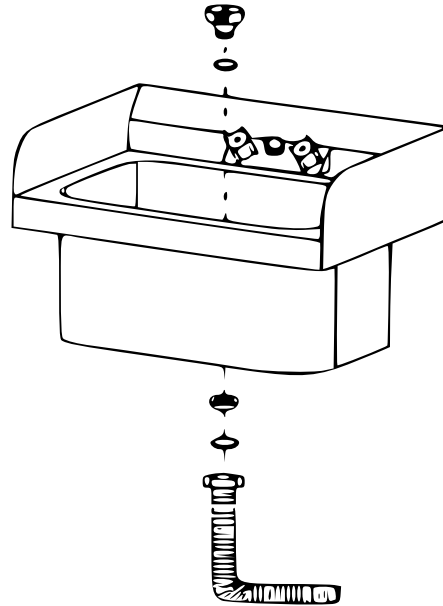
62686

1. Fix the fitting at the appropriate spot of the washbasin (Fig. 2).
2. Apply the other components following Fig. 2 and 3 and connect the washbasin to the drain pipe.
3. With the help of the mounting material, attach the washbasin to the wall (see Fig. 4).

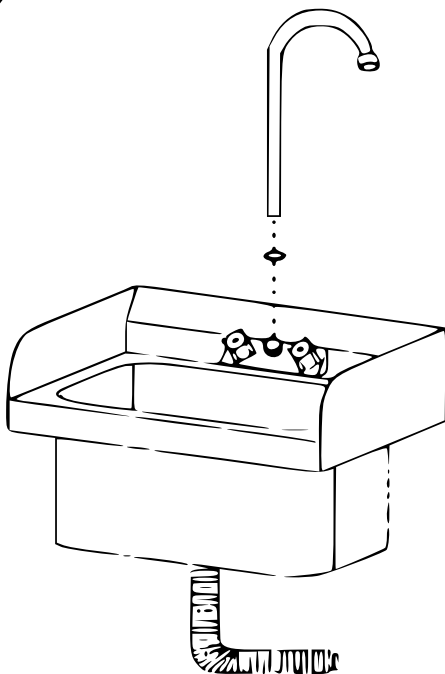
①



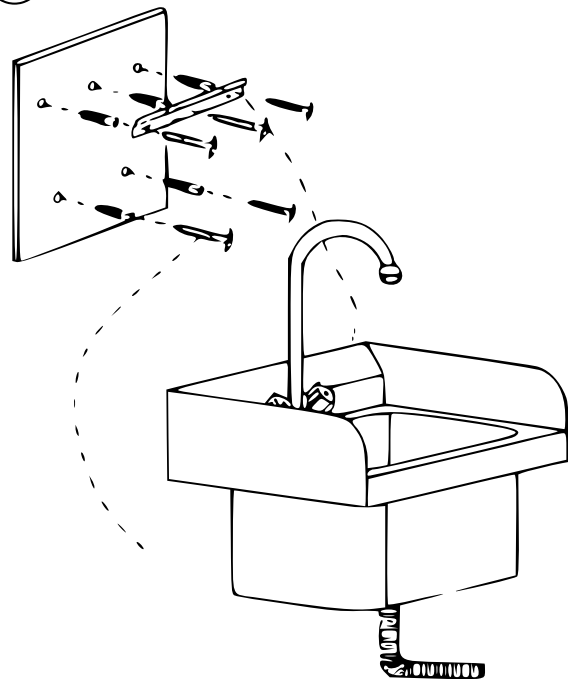
②



③



④



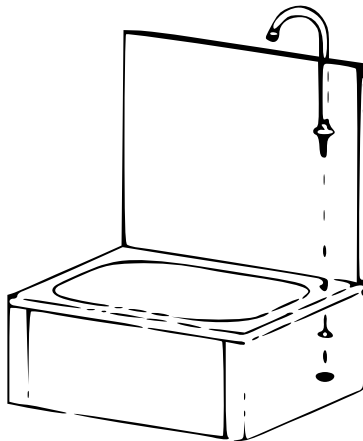


[mm]

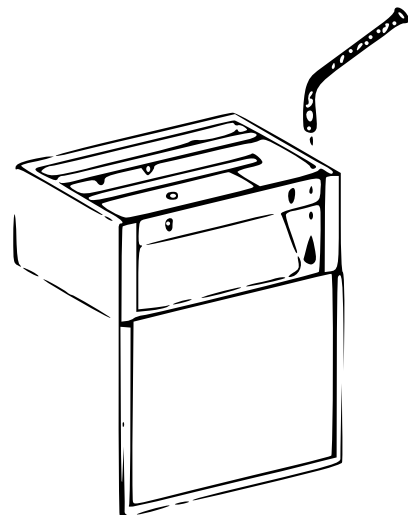
62687

1. Fix the fitting at the appropriate spot of the washbasin (Fig. 1).
2. Fix the flexible hoses to the appropriate spots (one flexible hose from the water connection to the valve, the other one from the valve to water tap, see Fig. 2 and 3).
3. Apply the other components following Fig. 4 and connect the washbasin to the drain pipe.
4. With the help of the mounting material, attach the washbasin to the wall (see Fig. 5).

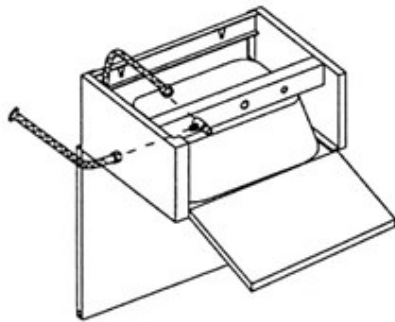
①



②



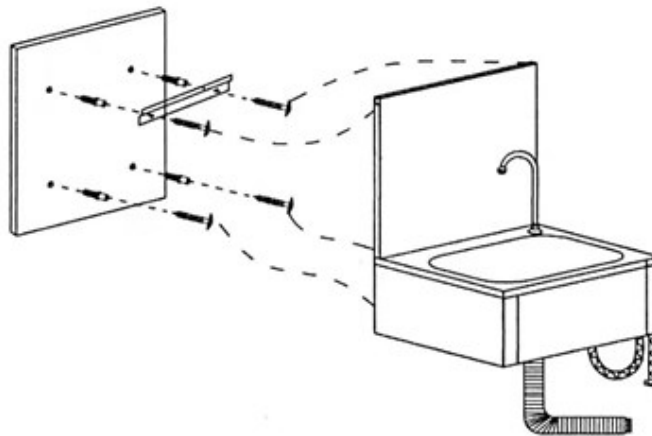
③



④



⑤



mm

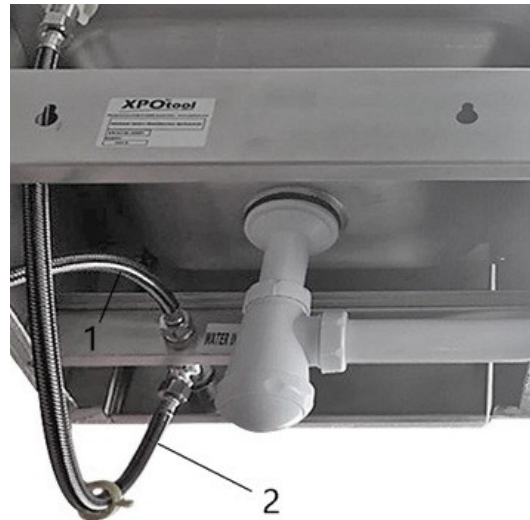
## Additional information on hose connection (62685 and 62687)

### Hose connection

- Connect flexible hose 1 (Fig., 1) from water supply to valve.
- Connect flexible hose 2 (Fig., 2) from valve to water tap.

Make sure that the water inlet is attached to the lateral connection. The flexible hose leading to the water tap must be attached to the lower connection.

**Caution!** Any improperly attached connection might cause leakage to the connection points.



### Important Note:

Reproduction and any commercial use (of parts) of this operating manual, requires a written permission of WilTec Wildanger Technik GmbH.