

Instruction Manual

Solar Shower

62719-62722



Illustration similar, may vary depending on model

Please read and follow the operating instructions and safety information prior to initial operation.

Technical changes reserved!

Illustrations, functional steps, and technical data may deviate insignificantly due to continuous further developments.



The information contained in this document may alter at any time without prior notice. No part of this document may be copied or otherwise duplicated without prior written consent. All rights reserved. WilTec Wildanger Technik GmbH cannot be held liable for any possible mistakes in this operating manual, nor in the diagrams and illustrations shown.

Although WilTec Wildanger Technik GmbH has made every possible effort to ensure that this operating manual is complete, accurate, and up-to-date, errors cannot be ruled out entirely.

If you have found an error or wish to suggest an improvement, we look forward to hearing from you. Send us an e-mail to:

service@wiltec.info

or use our contact form:

<https://www.wiltec.de/contacts/>

The most recent version of this manual in several languages can be found in our online shop:

<https://www.wiltec.de/docsearch>

Our postal address is:

WilTec Wildanger Technik GmbH
Königsbenden 12
52249 Eschweiler Germany

To return your goods for exchange, repair, or other purposes, please use the following address. Attention! To allow for a trouble-free complaint or return, it is important to contact our customer service team before returning your goods.

Retourenabteilung
WilTec Wildanger Technik GmbH
Königsbenden 28
52249 Eschweiler Germany

E-mail: **service@wiltec.info**
Phone: +49 2403 55592-0
Fax: (+49 2403 55592-15)



Introduction

Thank you for choosing to purchase this quality product. To minimise the risk of injury, we ask you to always take some basic safety precautions when using this product. Please read this operating manual carefully and make sure that you understand it.

Keep these operation instructions in a safe place.

Safety instructions

- Obey all safety and other instructions found in this manual. Non-compliance with these instructions or any improper use of the solar shower may lead to material damage and/or personal injuries.
- The solar shower is only suited for outdoor use. It is not suitable for indoor or commercial use.
- Do not modify the shower in any way.
- Do not use the shower during a thunderstorm.
- Drain all the water before not using the solar shower for a long time.
- The recommended water pressure of 3,5 bar should not be exceeded.
- The shower must not be operated with an additional pump or a domestic water supply system.
- The water inside the tank expands due to heating up which may lead to water escaping from the shower head.
- Make sure that the hose connected is securely fixed.
- Make sure that all parts of the shower are properly assembled and fixed.
- The sieve of the shower head should be cleaned regularly. Otherwise, there is a risk of the pressure increasing excessively which may lead to the tank being damaged.
- **Attention!** Standing water favours formation of bacteria. In case the shower has not been used for more than 3 days, let the water run a while to renew the water inside the tank. Please note that standing water inside the tank cannot be considered any more as drinking water.
- Mount the shower on a firm and stable surface (e.g., a flag, a wooden panel) to ensure optimal stability.
- Do not use salt or anti-freezing agent in the water.

Assembly instructions

1. Find a mounting spot for the solar shower where the solar radiation is as intense as possible.
2. Fix the base plate of the lower column **(B)** to a flag or wooden panel with the four screws, washers, and concrete dowels included **(K)**. We recommend using a wrench.
3. Fix the shower head **(D)** and gasket **(G)** to the extension pipe **(E)**. Then screw the extension pipe **(E)** and gasket **(F)** in the thread of the upper column **(A)**. These parts must be tightened by hand. Do not use a wrench or similar tool for that.
4. Place the sealing ring **(C)** in the recess of the lower column **(B)**.
5. Place the upper column **(A)** onto the lower column **(B)**. Connect the inner hoses with each other.
6. Turn the fixing rings clockwise so that the both columns **(A and B)** are firmly fixed to each other. The mixer valve and shower head **(D)** must point in the same direction.



Commissioning the solar shower

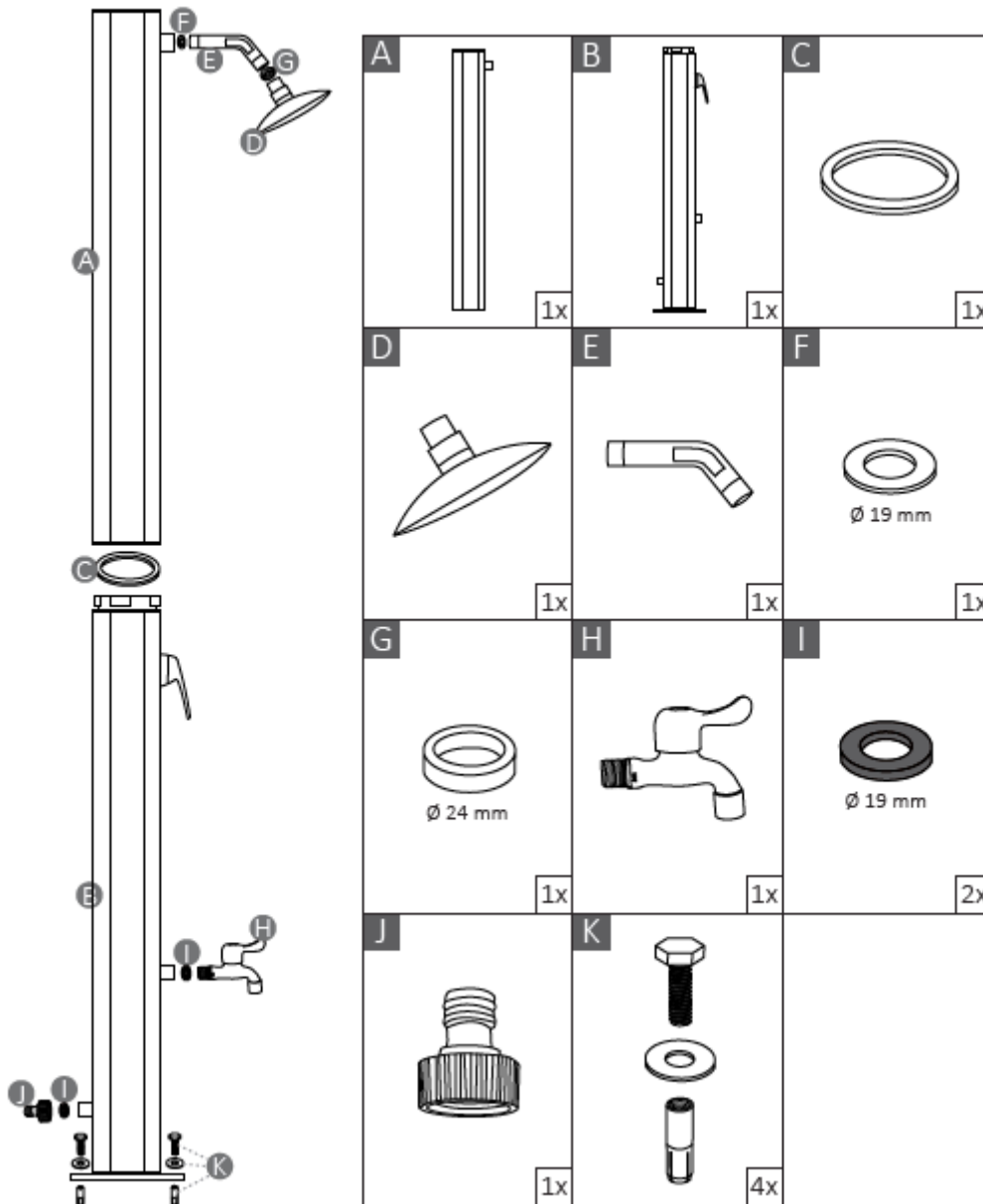
1. Open the mixer valve, adjusting it to “hot” position so that no air bubbles stay inside the hoses while filling the solar shower.
2. Connect a garden hose to the hose connection **(J)**. Open the water supply to the garden hose to fill the solar shower. The shower might take some minutes to be filled.
3. As soon as water comes out of the shower head **(D)**, close the mixer valve. Then, the water begins to heat up.
4. Depending on the intensity of the solar irradiation and the outside temperature, the water takes up to 2 h to heat up.
5. If the solar irradiation is very intense, the temperature inside the tank might reach 60 °C.

Attention! To avoid burns, you should adjust the mixer valve to “cold” position when activating the shower, and then set the desired temperature.

Storage during winter

1. Close the water supply connection to the solar shower.
2. Open the mixer valve, adjusting it to “hot” position so that the tank and hoses are totally emptied (duration: approx. 8–10 min) Do not operate the mixer valve while the tank is being emptied because the water flow would be interrupted.
3. Push the safety lock upwards and turn the fixing ring counter-clockwise. Then disconnect the hose connection inside the tank for the remaining water to escape.
4. Disassemble the lower column **(B)** and empty the remaining water.
5. Clean and dry the individual parts of the solar shower.
6. Store the solar shower in a cold and dry place, where it is protected from frost.

Parts list



Important Note:

Reproduction and any commercial use (of parts) of this operating manual, requires a written permission of WilTec Wildanger Technik GmbH.