

# User's Manual

## BBQ Charcoal Trolley

62809

# toboli



Illustration similar, may vary depending on model

Please read and follow the operating instructions and safety information prior to initial operation.

Technical changes reserved!

Illustrations, functional steps, and technical data may deviate insignificantly due to continuous further developments.



The information contained in this document may alter at any time without prior notice. No part of this document may be copied or otherwise duplicated without prior written consent. All rights reserved. WilTec Wildanger Technik GmbH cannot be held liable for any possible mistakes in this operating manual, nor in the diagrams and illustrations shown.

Although WilTec Wildanger Technik GmbH has made every possible effort to ensure that this operating manual is complete, accurate, and up-to-date, errors cannot be ruled out entirely.

If you have found an error or wish to suggest an improvement, we look forward to hearing from you. Send us an e-mail to:

[service@wiltec.info](mailto:service@wiltec.info)

or use our contact form:

<https://www.wiltec.de/contacts/>

The most recent version of this manual in several languages can be found in our online shop:

<https://www.wiltec.de/docsearch>

Our postal address is:

WilTec Wildanger Technik GmbH  
Königsbenden 12  
52249 Eschweiler – Germany

To return your goods for exchange, repair, or other purposes, please use the following address. Attention! To allow for a trouble-free complaint or return, it is important to contact our customer service team before returning your goods.

Retourenabteilung  
WilTec Wildanger Technik GmbH  
Königsbenden 28  
52249 Eschweiler – Germany

E-mail: **service@wiltec.info**

Tel: +49 2403 55592-0

Fax: +49 2403 55592-15



## Introduction

Thank you for choosing to purchase this quality product. To minimise the risk of injury, we ask you to always take some basic safety precautions when using this product. Please read this operating manual carefully and make sure that you understand it.

Keep these operation instructions in a safe place.

## Safety instructions

- Obey all the assembly instructions with care. Any wrong assembly might result in great dangers.
- Non-observance of the following warnings might lead to fire, explosion, burns as well as damages and injuries.
- Before putting the barbecue into operation, take note of and respect all function and test procedures mentioned in this user's manual.
- Only use the barbecue outside or in well ventilated areas.
- Do not use the barbecue when parts are damaged or missing.
- Taking alcohol, drugs, or medicine might cause the user's not being capable to correctly and safely assemble, move, or store the barbecue.
- Some accessible components of the barbecue might become very hot. Therefore, do not move the barbecue during its operation.
- Make sure that domestic animals and children keep a safe distance to the barbecue during its operation.
- Do not allow children to operate the barbecue.
- During its operation, the barbecue must stay on a level and stable surface.
- Wait for the charcoal to burn for at least 30 min and for loose ashes to form before beginning to grill.
- **Attention!** Do not use wood as combustible.
- During use of the barbecue, its lid must stay open.
- The lid can only be closed after the grill's completely cooling down after use. Otherwise, the housing might deform and the varnish flake off, which would impair both the appearance and the functionality of your barbecue.

## Use

1. The barbecue must be placed on a safe, level surface before operation.
2. Before grilling the first food, the barbecue needs to be heated up and the charcoal be kept red-hot for at least 30 min.
3. The maximum quantity of charcoal that can be put into the barbecue is about 2 kg.

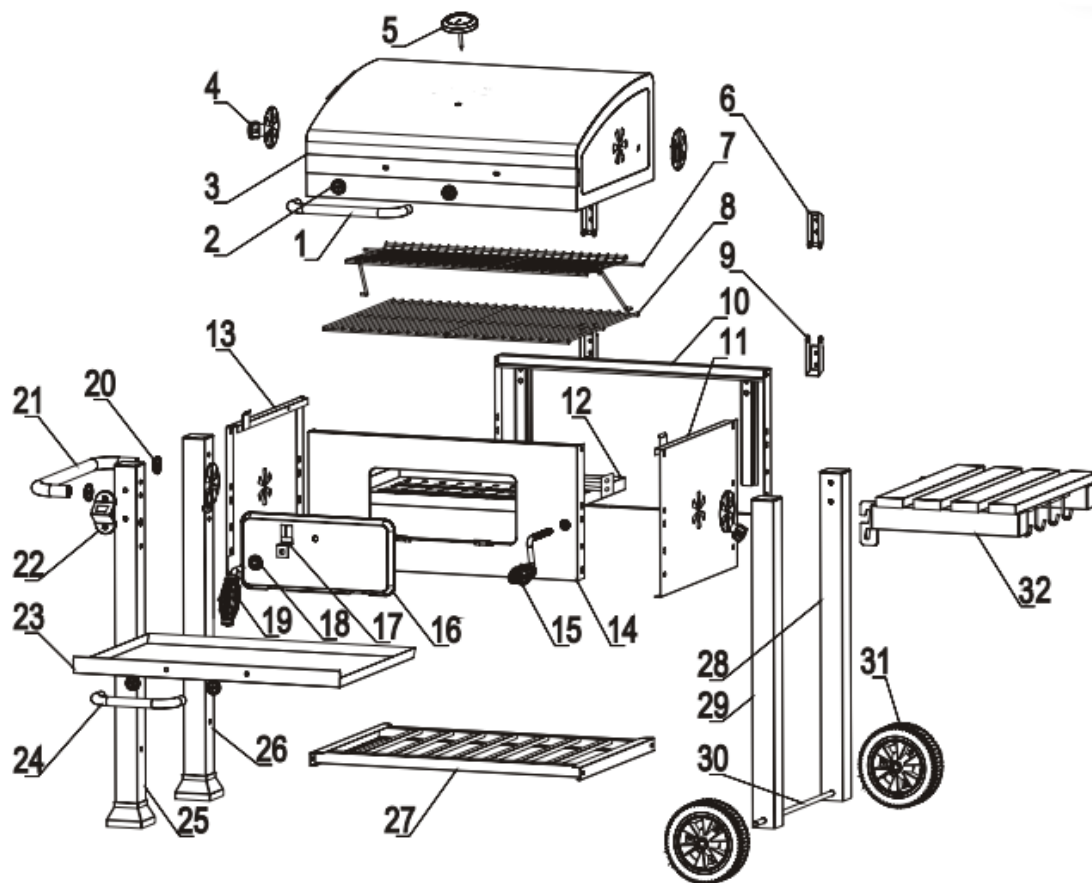
## The correct lighting method

1. Place 3 to 4 firelighters in the middle of the barbecue and light them with a match.
2. Place several pieces of charcoal around the individual firelighters. Pile up more pieces of charcoal to a pyramid as soon as the flame burns regularly.
3. When the charcoal burns well, spread it over the surface.
4. Do not begin to grill before an ash layer has formed.



**Warning!** The barbecue is getting very hot. Therefore, do not move it during its operation.  
**Burning hazard!**

Parts list and names



No	Name	Qty.	No	Name	Qty.
1	Combustion space handle	1	17	Separating panel for charcoal	1
2	Side handle base	4	18	Door handle holder	1
3	Combustion space lid	1	19	Door handle	1
4	Ventilation	4	20	Side handle holder	2
5	Thermometer	1	21	Side handle	1
6	Upper hinge	2	22	Bottle opener	1
7	Hot grille	1	23	Ash bin	1
8	Cooking grille	2	24	Ash bin handle	
9	Bottom hinge	2	25	Supporting leg	1
10	Combustion space back panel	1	26	Supporting leg	1
11	Combustion space right side panel	1	27	Base panel	1
12	Ash bin	1	28	Rear wheel support	1
13	Combustion space left side panel	1	29	Rear wheel support	1

14	Front panel for combustion space	1	30	Axle	1
15	Lifting handle	1	31	Wheel	2
16	Charcoal door	1	32	Side panel	1

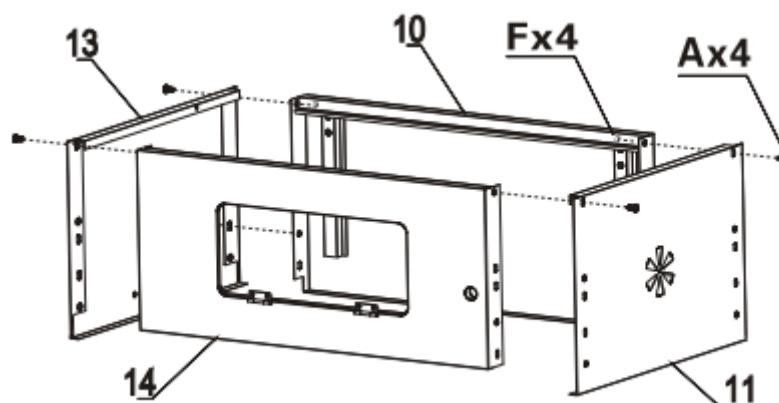
Letter	Fig.	Dim.	Qty.	Letter	Fig.	Dim.	Qty.
A		M6×14	36	G		M6×70	2
B	Black	M5×10	4	H		D1.4	3
C		M6×14	4	I		M4×10	4
D		M6×35	10	J		M4	4
E		M5	8	K	White	M5×10	4
F		M6	20				

## Assembly

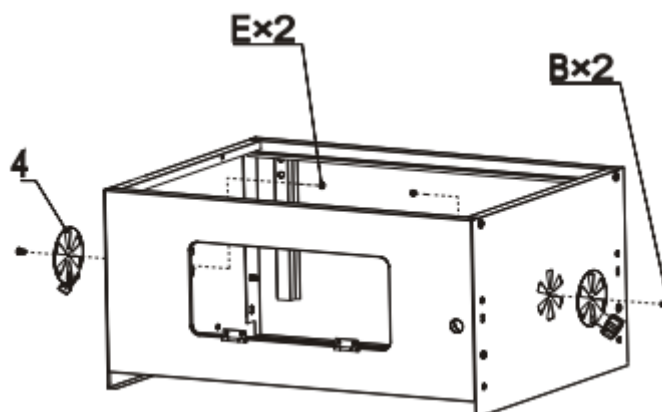
- Plan sufficient time for assembly.
- Before assembly, prepare a solid work surface of 2–3 m<sup>2</sup>.
- Hold tools and the components of the barbecue ready.

**Attention!** Although all possible efforts have been made to remove all sharp edges of the barbecue, you must handle the device with care. **Risk of injuries!**

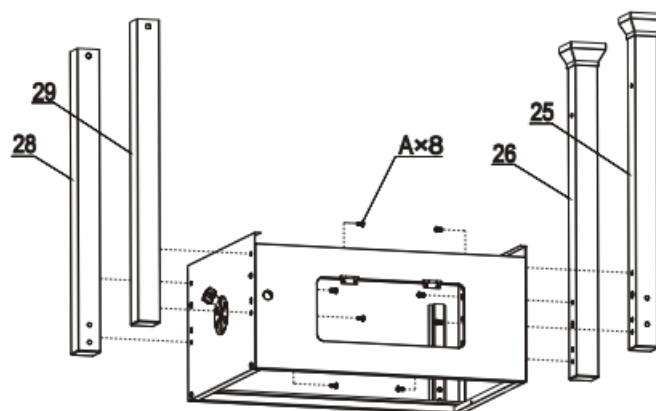
### Step 1



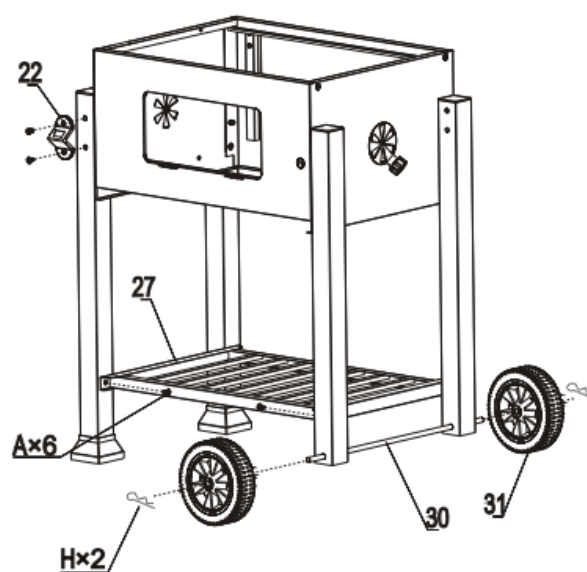
Step 2



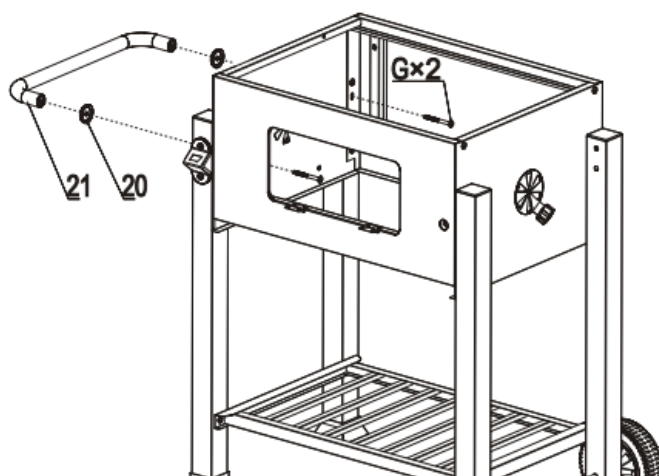
Step 3



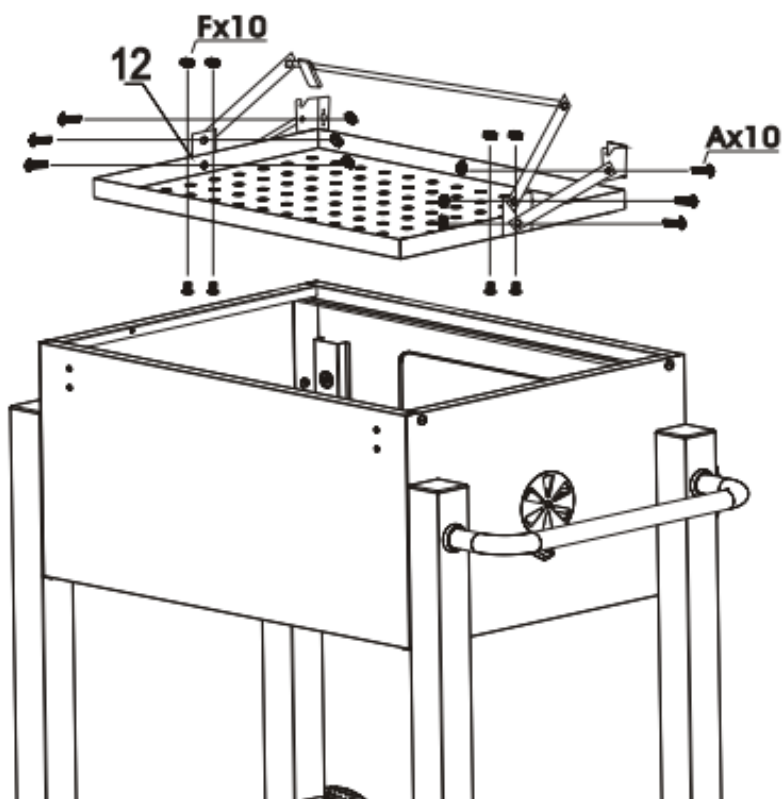
Step 4

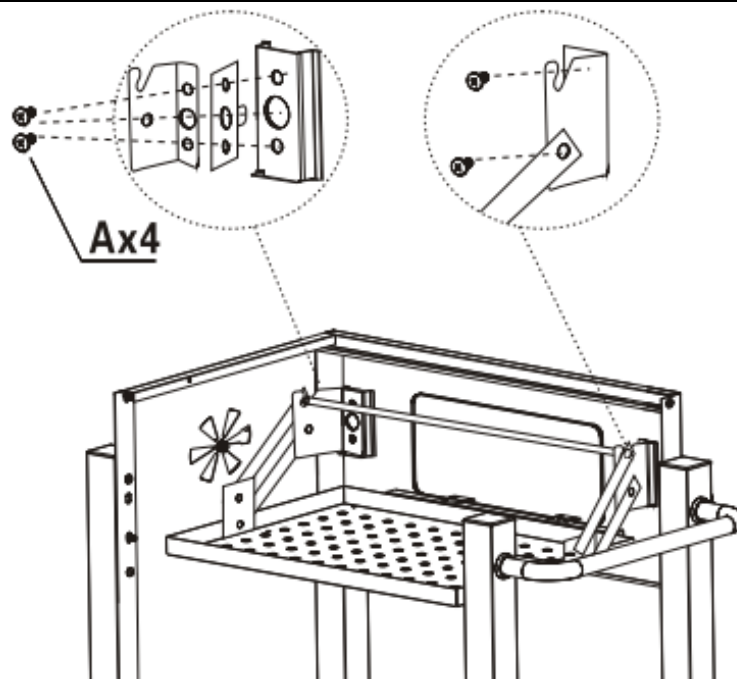


## Step 5

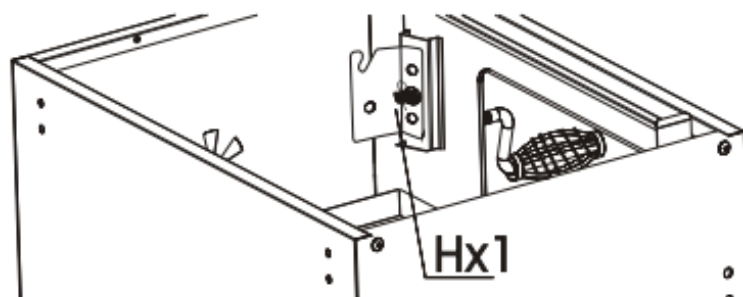
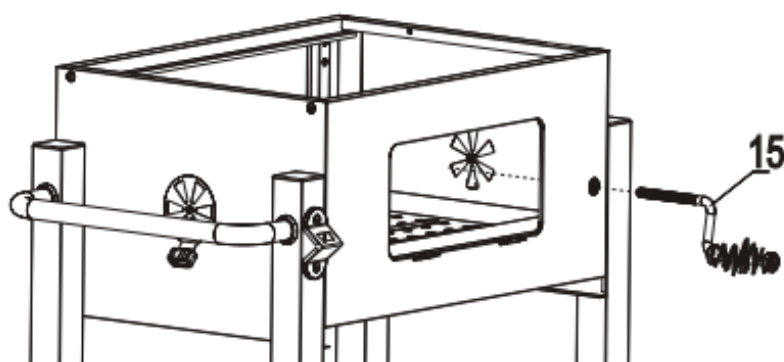


## Step 6



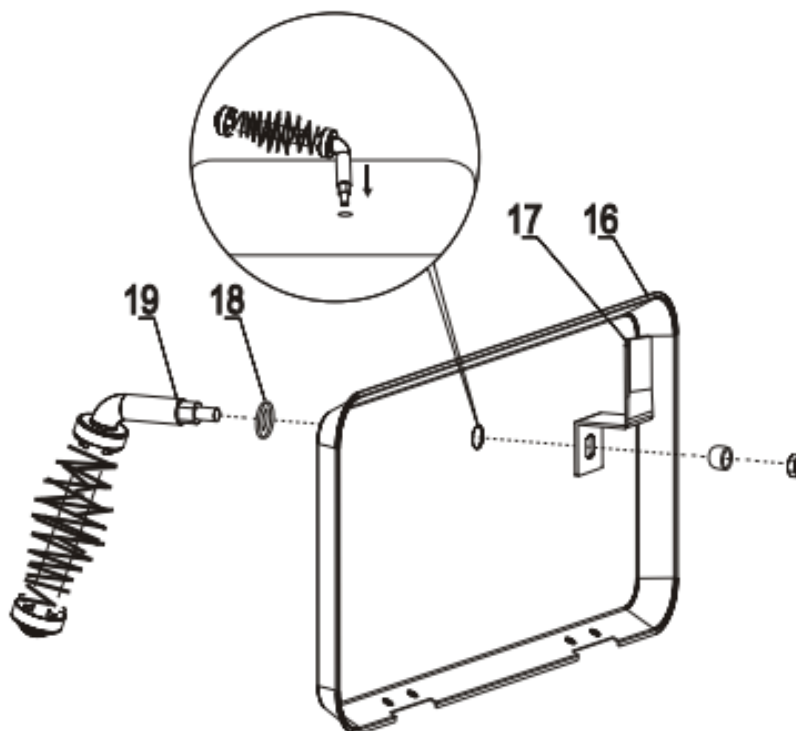


Step 7

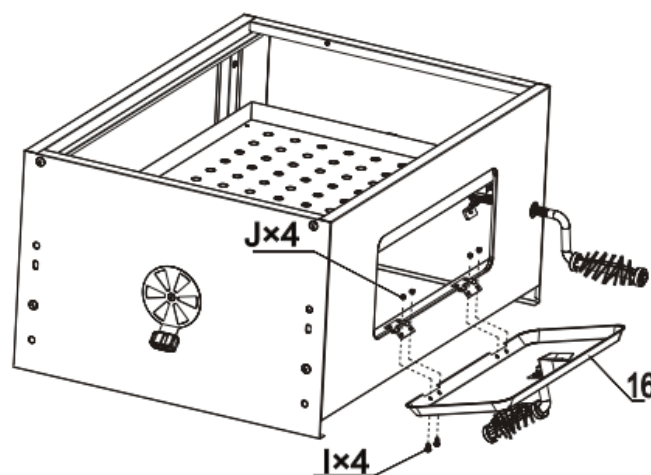




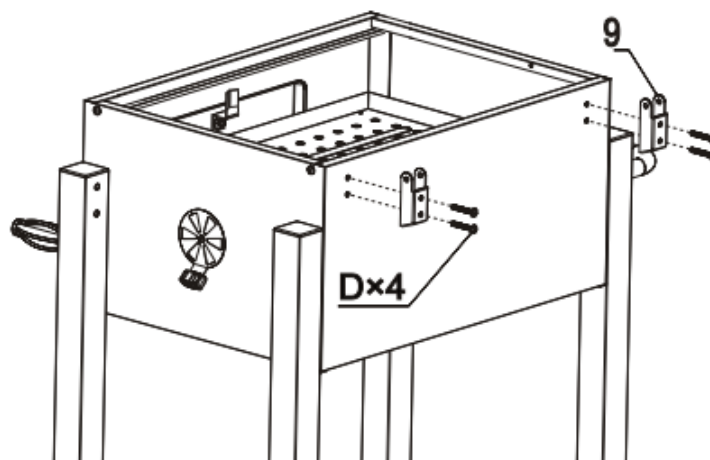
Step 8



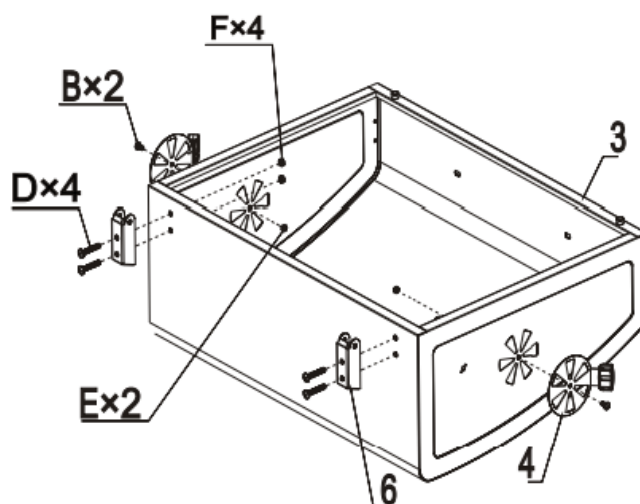
Step 9



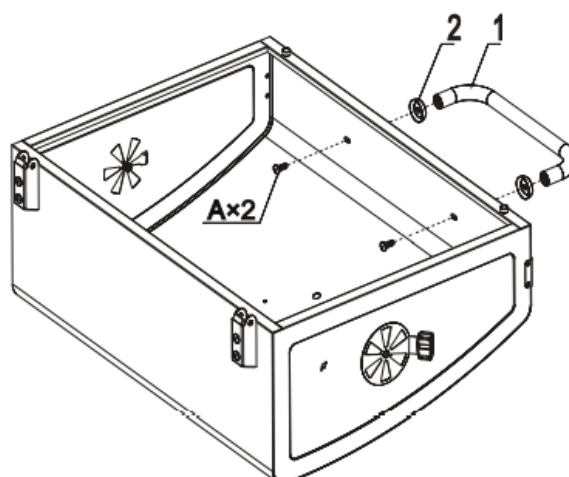
Step 10



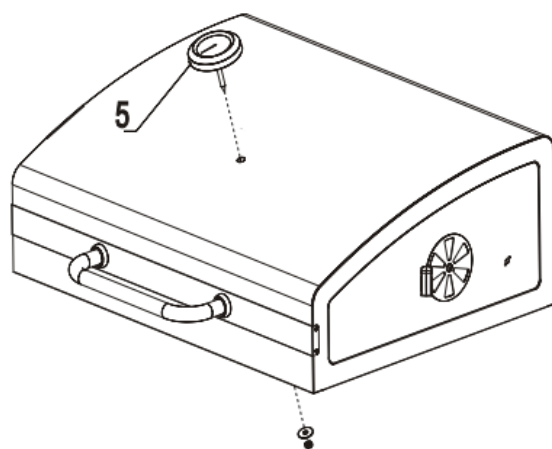
Step 11



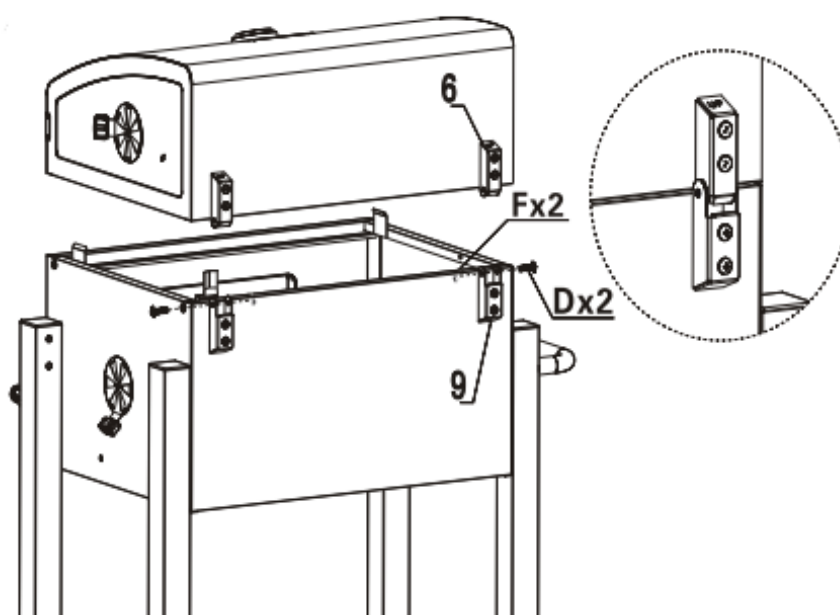
Step 12



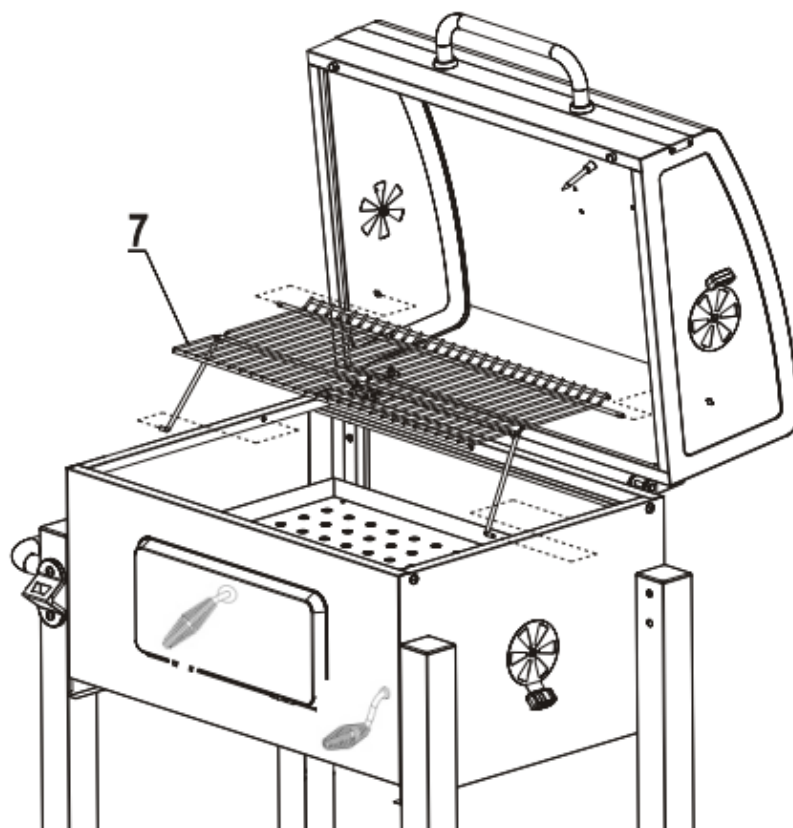
Step 13



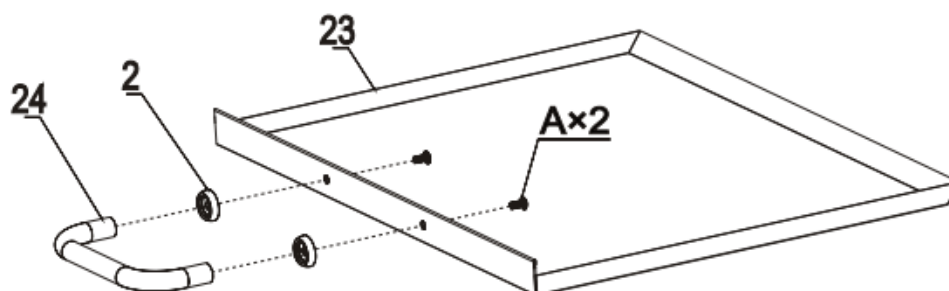
Step 14



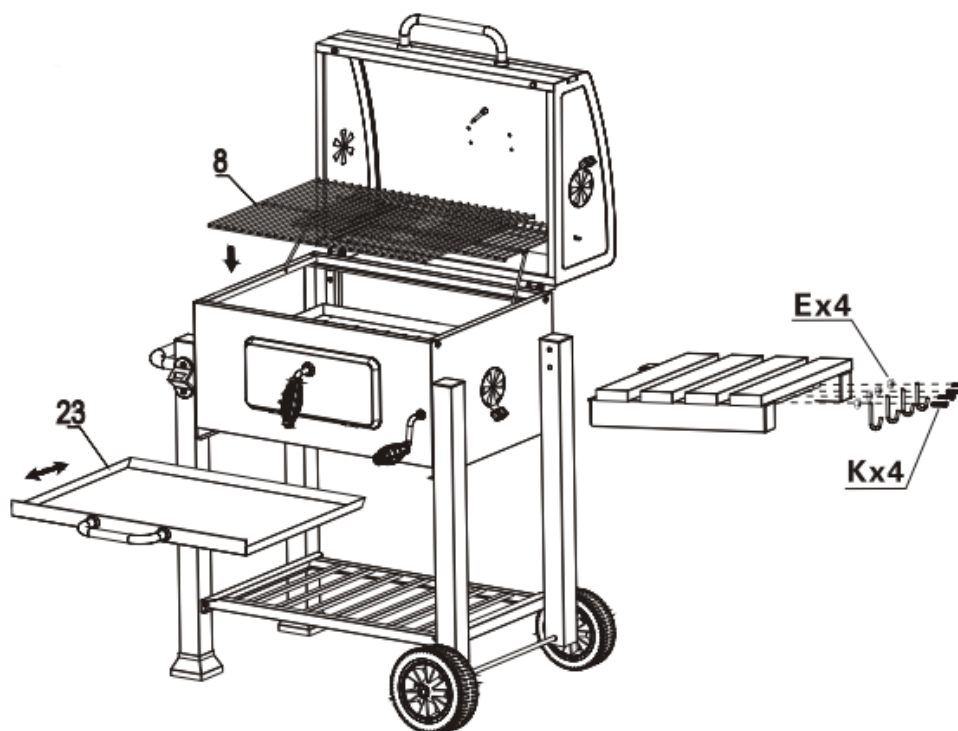
## Step 15



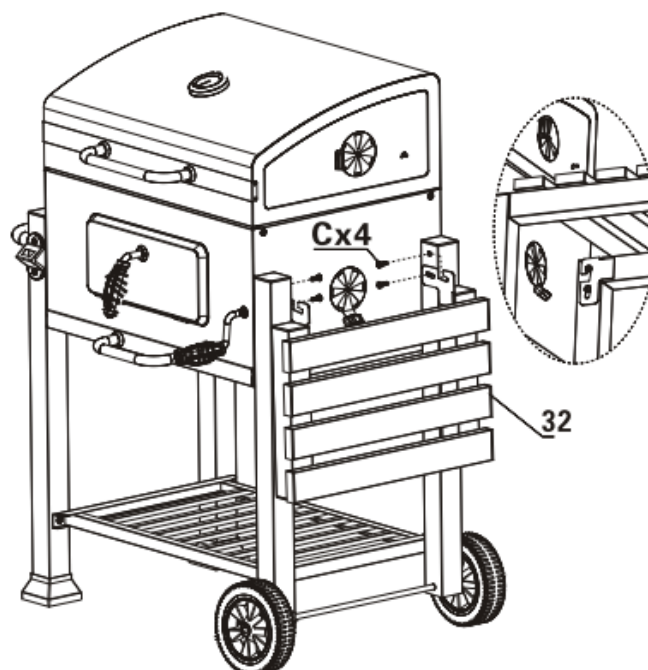
## Step 16



Step 17



Step 18



Important Note:

Reproduction and any commercial use (of parts) of this operating manual, requires a written permission of WilTec Wildanger Technik GmbH.