

# User's manual

## Automatic Greenhouse Window Opener

62833

**XPO** the **tool**  
experts



Illustration similar, may vary depending on model

Read and follow the operating instructions and safety information before using for the first time.

Technical changes reserved!

Illustrations, functional steps, and technical data may deviate insignificantly due to continuous further developments.

Updating the documentation

If you have suggestions for improvement or have found any irregularities, please contact us.



The information contained in this document may alter at any time without prior notice. No part of this document may be copied or otherwise duplicated without prior written consent. All rights reserved. WilTec Wildanger Technik GmbH cannot be held liable for any possible mistakes in this operating manual, nor in the diagrams and illustrations shown.

Although WilTec Wildanger Technik GmbH has made every possible effort to ensure that this operating manual is complete, accurate, and up-to-date, errors cannot be ruled out entirely.

If you have found an error or wish to suggest an improvement, we look forward to hearing from you. Send us an e-mail to:

[service@wiltec.info](mailto:service@wiltec.info)

or use our contact form:

<https://www.wiltec.de/contacts/>

The most recent version of this manual in several languages can be found in our online shop:

<https://www.wiltec.de/docsearch>

Our postal address is:

WilTec Wildanger Technik GmbH  
Königsbenden 12  
52249 Eschweiler – Germany

To return your goods for exchange, repair, or other purposes, please use the following address. Attention! To allow for a trouble-free complaint or return, it is important to contact our customer service team before returning your goods.

Retourenabteilung  
WilTec Wildanger Technik GmbH  
Königsbenden 28  
52249 Eschweiler – Germany

E-mail: **service@wiltec.info**  
Tel: +49 2403 55592-0  
Fax: +49 2403 55592-15

## Introduction

Thank you for choosing to purchase this quality product. To minimise the risk of injury, we ask you to always take some basic safety precautions when using this product. Please read this operating manual carefully and make sure that you understand it. Keep these operation instructions in a safe place.

## Safety instructions

- The automatic window opener is not suitable for temperature exceeding 50 °C (122 °F).
- Before mounting the opener, make sure that the window of your greenhouse opens smoothly and is not obstructed.

## Technical specifications

<b>Max. window opening (cm)</b>	45 (18")
<b>Max. window weight (kg)</b>	7 (15 lb)

**Note:** The maximum window opening value refers to an ambient temperature of 30 °C (86 °F) and depends also on the adjustments and load weight.

## Main components

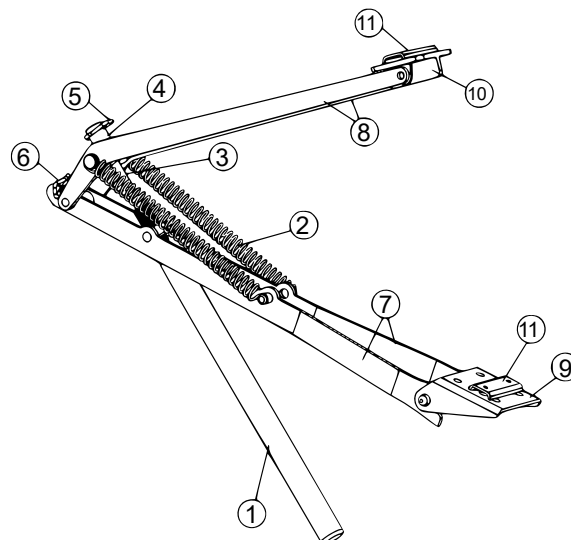


Figure 1

Nº	Name	Nº	Name
1	Piston tube/cylinder	7	B arm
2	Spring	8	A arm
3	Piston rod	9	Frame-holder
4	T clamp	10	Window-holder
5	Hairpin	11	Clamps
6	Stop pin		

## Assembly

**Caution:** First check if the window of your greenhouse opens smoothly and is not obstructed.

### *Mounting the opener to a roof or side window of your greenhouse*

1. With two of the screws included, loosely fix one clamp **(11)** to the window-holder **(10)** (Fig. 2). With a greenhouse made of wood, you can screw the clamps directly into the wood (Fig. 3).
2. Attach the other clamp to the suitable pair of holes of the frame-holder **(9)**. Make sure that the upper edge of the frame-holder is as near as possible to the edge of the window-holder (examples see Fig. 3).
3. Now measure the distance of the window opening.
  - a. With openings of at least 42 cm (16½"): Slide the piston rod **(3)** into the T clamps **(4)** through the piston tube **(1)**. The hole of the piston rod must be aligned with the A hole (Fig. 4).
  - b. With opening comprised between 30 and 42 cm (12–16"): Proceed as described in a. Nevertheless, remove the plastic cap of the T clamp **(4)**, align the piston rod with the B hole, and attach the stop pin **(6)** to the B arm **(7)** (Fig. 5).

**! Important notice:** Do not attach the stop pin **(6)** until you have inserted the hairpin **(5)** into the B hole.

4. Adapt the frame-holder to the window sill (Fig. 6).
5. Adapt the window-holder to the window frame, directly above the frame-holder. **The window needs to be closed.**
6. Open the window wide enough to be able to screw the piston rod to the piston tube/cylinder. The screw must stick out on either side of the cylinder at the same length. Then release the window.

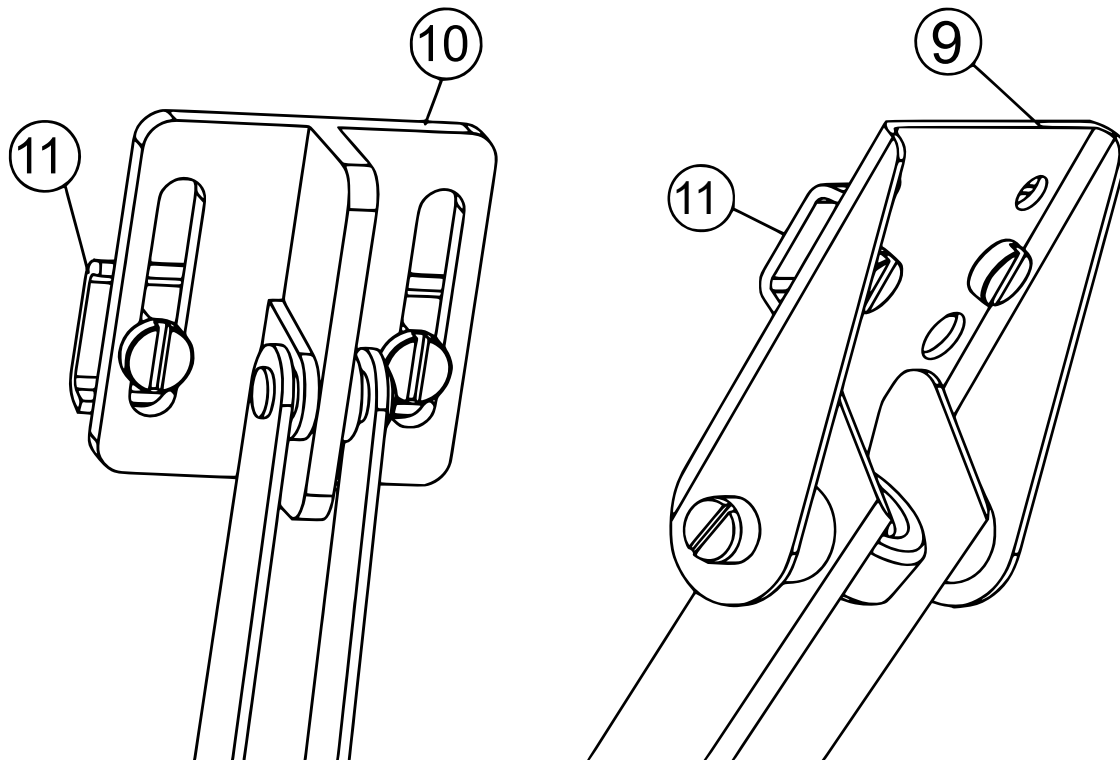


Figure 2

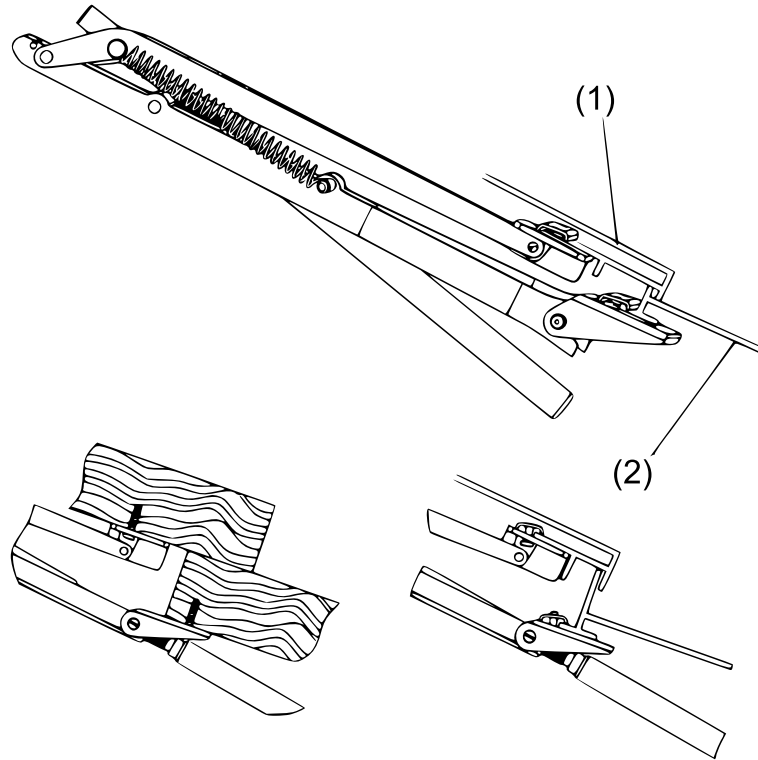


Figure 3

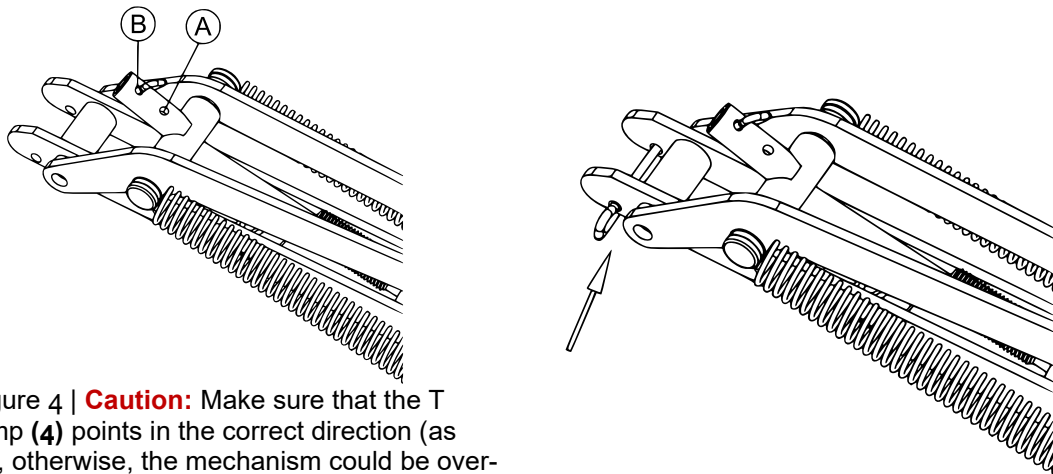


Figure 4 | **Caution:** Make sure that the T clamp (4) points in the correct direction (as shown), otherwise, the mechanism could be over-charged and break.

Figure 5

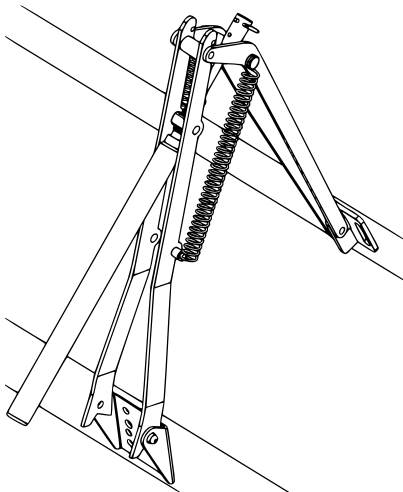


Figure 6

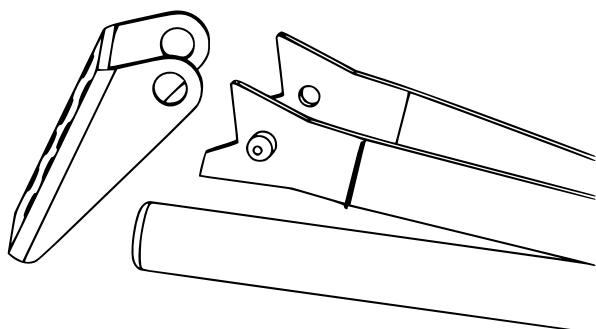


Figure 7



## Adjustments

It is advisable to adjust the window opener when the temperature inside the greenhouse is constant. The opener will need a certain time to be able to react to a temperature change. If you wish the opener to open the window at a different temperature, the piston rod needs to be turned: clockwise to open the window earlier/wider; counter-clockwise to open the window later/less wide. A turn equals approximately 0.5 °C (1 °F). Note that the temperature inside the greenhouse can vary a lot, even at the different windows.

## Maintenance

- After assembly, lubricate all moving components and the springs with a light oil. During summer, lubricate them when necessary.
- From time to time, apply some petroleum jelly or grease to the thread of the piston tube.

## Storage during winter

It is advisable to remove the automatic window opener from the greenhouse or cold frame during winter, at least the piston tube. Stock it at a dry location and do not forget to lubricate the piston rod before re-attaching it to the springs. Then check the piston rod for its ability to move smoothly.

### Important Note:

Reproduction and any commercial use (of parts) of this operating manual, requires a written permission of WilTec Wildanger Technik GmbH.