

# Operation Manual

## Portable Band Saw 62850



Illustration similar, may vary depending on model

Read and follow the operating instructions and safety information before using for the first time.

Technical changes reserved!

Due to further developments, illustrations, functioning steps, and technical data can differ insignificantly.

Updating the documentation

If you have suggestions for improvement or have found any irregularities, please contact us.



The information contained in this document may alter at any time without previous notice. It is prohibited to copy or spread any parts of this document in any way without prior written allowance. All rights reserved.

The WilTec Wildanger Technik GmbH cannot be held accountable for any possible mistakes in this operating manual, nor in the diagrams and figures shown.

Even though, the WilTec Wildanger Technik GmbH has undergone biggest possible efforts to ensure that the operating manual is complete, faultless, and up to date, mistakes cannot be entirely avoided.

If you should find a mistake or wish to make a suggestion for improvement, we look forward to hearing from you.

Send an e-mail to:

[service@wiltec.info](mailto:service@wiltec.info)

or use our contact form:

<https://www.wiltec.de/contacts/>

The most recent version of this manual in various languages can be found in our online shop via:

<https://www.wiltec.de/docsearch>

Our postal address is:

WilTec Wildanger Technik GmbH  
Königsbenden 12  
52249 Eschweiler  
Germany

To return orders for exchange, repair, or other purposes, please use the following address. Attention! To allow for a smooth execution of your complaint or return, it is important to contact our customer service team before returning the goods.

Returns Department  
WilTec Wildanger Technik GmbH  
Königsbenden 28  
52249 Eschweiler

E-mail: **service@wiltec.info**

Tel: +49 2403 55592-0

Fax: +49 2403 55592-15



## Introduction

Thank you for purchasing this quality product. **To minimise the risk of injury we urge that our clients take some basic safety precautions when using this device. Please read the operation instructions carefully and make sure you have understood its content.** Keep these operation instructions safe.

## Symbols



**Warning!** This device can be dangerous. Carelessness or improper use can lead to serious or even mortal injuries.



Familiarise yourself with the user's manual before use.



Wear protective glasses to protect your eyes.



Wear ear protection to protect yourself from noise.



Always wear approved protective gloves.



Wear protective and anti-slip shoes.



Wear a respiratory protection.



With the cable being damaged, immediately disconnect the device from its energy source.



Do not expose the device to rain, other sources of water, or high air humidity.



Protection class 2



In correspondence with the essential effective safety standards of the European rules



## Safety instructions

### *General safety instructions*

**Warning!** Keep this manual safe and make sure it is always accessible. This operation manual contains important information concerning the safety, operation, maintenance, and storage of this product. Carefully read all the information and familiarise yourself with the device before using it, as the use of the device might otherwise cause property damage as well as severe injuries and may even lead to death.

### *Work area safety*

- Always keep your working area clean and well-lit. Untidy or insufficiently lit working areas increase the risk of accident.
- Do not operate the device in explosive environments or near flammable substances, liquids, gases, or dusts. The use of this device may create sparks that could potentially ignite gases or dust.
- Keep bystanders away from the working area while operating the device, as distractions may lead to a loss of control.

### *Electrical safety*

- The power plug of the device must match the power socket and must not be altered in any way. Matching sockets and original plugs minimise the risk of electric shock.
- Do under no circumstances attempt to modify the device, its accessories, or its power plug. Modified devices are dangerous and their use holds a great risk of accidents and electric shock.
- Do not use adapter plugs with earthed power tools.
- Avoid physical contact with earthed objects and surfaces such as pipes, stoves, or refrigerators. An earthed body increases the risk of electric shock when working with a power tool.
- Keep this tool safe from moisture, rain as well as other sources of water. Water permeating the device will damage it and greatly increase the risk of electric shock.
- Do not pull the power cord of the device and do not abuse it to lift, carry, or hold the device.
- Do not expose the power cord to heat, oil, sharp edges, or moving parts and make sure that it is not bent or pinched. Damaged or entangled cables greatly increase the risk of electric shock.
- Always check the cable for signs of damage or wear before using the device. Do not use the tool if its power cord or plug are damaged and make sure to have it replaced by a qualified electrician before the device is operated again.
- Damaged or worn cables must not be repaired, but must be replaced by a qualified electrician.
- When using the device outside, make sure to use an appropriate extension cord suitable for outdoor use to decrease the risk of electric shock.
- The use of the device in wet environments (e.g., rain) is strictly prohibited. If the use of the device within an environment with high moisture levels cannot be avoided, make sure to equip it with a fault-current circuit breaker to decrease the risk of electric shock.

### *Personal safety*

- Always stay attentive and do not use this device while being tired or exhausted or under the influence of alcohol, drugs, or medicine.
- Take all necessary precautions to prevent an accidental operation of the device. Do not press the trigger when carrying the device and make sure it has been turned off, before connecting it to a power supply. A loss of control can lead to property damage and severe injuries.
- Always wear appropriate protective gear including, but not limited to safety goggles, ear protection, safety gloves, and non-skid safety shoes when operating the device.
- Ensure that all adjusting tools or wrenches have been removed from the device before switching it on. Adjusting tools might get caught up in moving parts and cause damage to the device as well as severe injuries.
- Do not overreach and always ensure a safe stand.
- Always make sure to treat power tools with care, to keep them clean, sharp and in pristine condition by performing maintenance on a regular basis to ensure a flawless functionality. Sharp



and clean tools are easier and safer to handle while poorly maintained tools increase the risk of accidents.

- Make sure that moving parts can move without any kind of obstruction before starting the device. Devices equipped with connections for dust extraction and collection equipment should only be used along with said equipment to relate dust related hazards.
- Damaged or worn power tools must not be operated, as their condition greatly affects their performance and safety. Have damaged parts be repaired or replaced by a qualified electrician and do not use the device unless it is in pristine condition.
- Always store the device in a dry and safe place inaccessible to children and unauthorised individuals.

#### *Safety of power tool use and care*

- Only use tools for their intended purpose and always operate them at a speed appropriate for them. Forcing a tool decreases its efficiency and increases the risk of accidents.
- Do not use power tools if their switches do not function correctly and the tools cannot be turned on or off properly. Any power tool that cannot be controlled with the switch is dangerous, must not be used and must be repaired.
- Disconnect the plug from the power supply and/or remove the battery from power tools before making any adjustments, changing accessories, or storing them. Such preventive safety measures reduce the risk of accidentally starting the power tool.
- Store idle power tools out of the reach of children and do not allow individuals unfamiliar with the tool or the content of this operation manual to operate the power tool. Power tools are dangerous in the hands of untrained users.
- Maintain power tools regularly. Ensure that moving parts are not misaligned, jammed, worn, or damaged in any way. Damaged or worn parts may affect the operation of the tool and may cause accidents. In case of one or more parts being damaged or showing signs of wear, make sure to replace the affected part before the power tool is used again.
- Keep cutting tools sharp and clean. Properly maintained cutting tools with sharp blades are less likely to jam and can be controlled more easily.
- Use the power tool as well as its accessories and tool bits etc. in accordance with the instructions found within this operation manual, considering the working conditions and the work to be performed. Using the power tool for operations deviating from its intended purpose may result in hazardous situations and lead to property damage as well as severe injuries.

#### *Safety of service*

Have your power tool serviced by qualified personnel and make sure that only identical parts of equal quality are used as spare parts. This will ensure that the safety of the power tool is maintained.

#### *Portable band saw specific safety information*

- Always hold this power tool by its insulated gripping surfaces during operation, as cutting accessories or other metal parts may come in contact with hidden live wire sources.
- Never leave this tool unattended and do not put it down until its blade comes to a complete stop, as the tool can get out of control if moving parts make contact with a surface.
- Before each use, make sure that the tension handle is in its closed position, tightening the blade.
- Always ensure that the cutting material is securely fastened down before beginning to work on it. Work slowly and carefully when performing tasks such as cutting corners, sharp edges, or ragged welds to avoid snagging.
- Cutting material as well as the motor housing of the tool can get very hot during operation. Take breaks on a regular basis to allow the device to cool down and to thereby prolong its work life and minimise the risk of injury.
- Maintain labels and nameplates on the tool. These carry important safety information and must remain readable.
- Always be sure to prepare to begin work before turning on the tool to avoid unnecessarily starting the same.
- When using this handheld power tool, make sure to always maintain a firm grip on it, using both hands to resist starting torque.



- Always make sure to properly turn the tool off and to disconnect it from its power source when it is not in use.
- Always make sure that this tool is inaccessible to children to prevent them from playing with it.
- Electromagnetic fields near cardiac pacemakers can lead to interference or failure of the cardiac pacemaker. It is recommended to measure the field strength with an appropriate warning device. In addition, people with pacemakers should avoid operating the saw alone.
- Maintenance and inspection to prevent electric shock are essential. Each power cord must be properly grounded.
- The warnings, precautions, and instructions contained in this operation manual cannot cover all possible scenarios that may potentially occur. Always use the tool with foresight and caution.
- To reduce vibration, maintain the tool as explained in this manual. If any abnormal vibration occurs, stop using the tool immediately.
- Wear appropriate safety gloves to further reduce the negative effects that vibration can have on the user.
- This device may only be used by individuals with reduced, physical, sensory, or mental capabilities, or lack of experience and/or knowledge if they have received instructions concerning the use of the tool from and are being supervised by a person familiar with the tool and responsible for their safety. Children are not allowed to operate the tool and should be always supervised to ensure that they do not play with it.
- Always turn the tool off properly and disconnect it from its power source before making any adjustments or changing accessories.

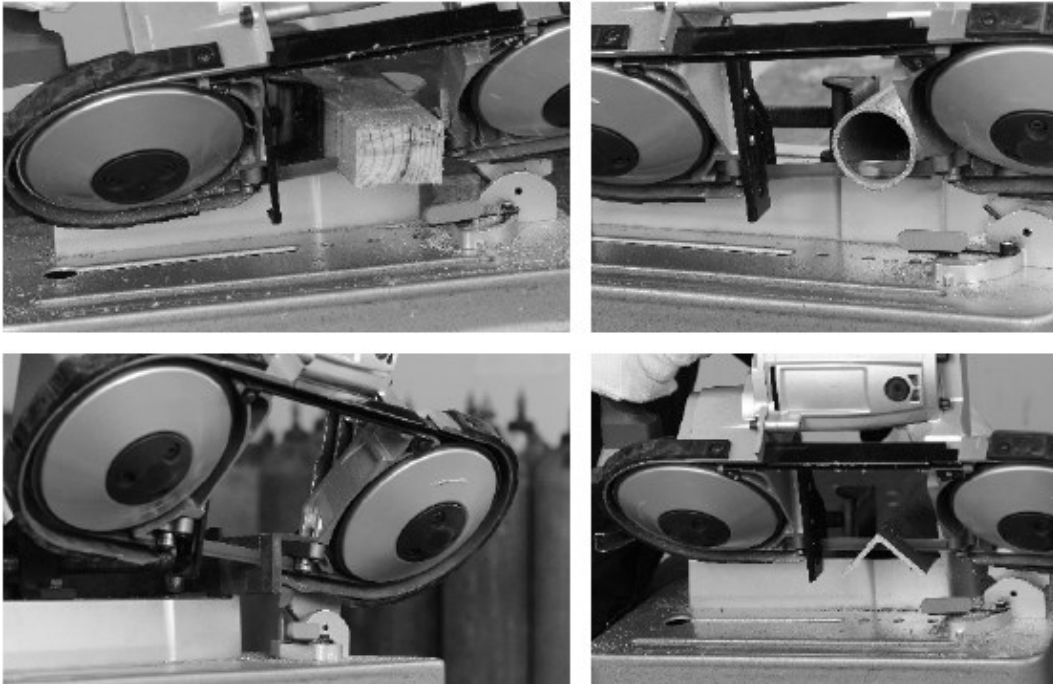
#### *Safety of getting started*

- Always ensure that the supply voltage conforms to the voltage indicated on the nameplate of the tool.
- Familiarise yourself with all the instructions and information contained within this operation manual as well as the tool itself before using it for the first time. It is recommended to perform test cuts to get used to the tool before beginning work on an actual project.
- Use suitable detectors to find hidden utility lines or call the local utility company for assistance (contact with electric lines can lead to fire or electrical shock; damaging a gas line can result in an explosion; penetrating a water pipe will cause property damage and may lead to electrical shock).
- Do not work materials containing asbestos, as the dust released by doing so is highly carcinogenic.
- Dust from material such as paint containing lead, some types of wood, minerals and metal may be harmful. Contact with or inhalation of the dust may cause allergic reactions and/or respiratory diseases to the operator or individuals within the vicinity. Wear a dust mask and use a dust extraction device whenever possible.
- Follow the dust-related national requirements for the materials you want to work with.
- Do under no circumstances attempt to clamp the tool in a vice.

#### *After use*

Always make sure to let the moving parts of the tool come to a complete halt before placing it anywhere. Never attempt to forcefully stop the rotation of the accessory.

## Application



### *Installing and replacing the blade*

1. Turn the tension handle **(A)** clockwise to release the tension of the blade.
2. Set the blade into both guide bearings **(J)**, making sure that the blade is centred on them.
3. Hold the blade on the guides and push in. Make sure that the blade fits around the wheels evenly.
4. Turn the tension handle **(A)** until the blade is taut and the handle tight.
5. Put on your ear and eye protection before connecting the tool to a power supply. Turn on the tool.
6. Carefully inspect the blade and make sure it runs steadily and evenly around the wheels and that its teeth are pointed in the correct direction.

### *Assembling the guide bar*

1. Assemble the guide bar **(G)** and attach it to the band saw before operating.
2. Release the screws **(I)** located on the frame.
3. Move the guide bar **(G)** around the blade as shown, then lock the screws.

### *Switching the machine on and off*

1. Turn on/off the portable band saw by the on/off switch **(F)**.
2. Adjust the speed by turning the speed dial **(E)**.
3. The speed can be adjusted to cut different materials.

### *Cutting*

1. Make sure that the switch is in the off-position before connecting the tool to a power source.
2. Properly secure your workpiece by clamping it to a workbench or other solid surface.
3. Always be aware of the position of the power cord of the tool and make sure to keep it out of the way.
4. Place the guide bar **(G)** against the workpiece, keeping the blade at a 90° angle to the workpiece.
5. Turn the band saw on and allow it to come reach full speed before making a cut.
6. Adjust the speed by tuning the speed dial **(E)**.



7. Tilt the tool as depicted above to bring the blade into a vertical position. When cutting, start out using minimal force to create a groove. Once a groove has been created, allow the rest of the blade to cut into the workpiece. Doing this will prevent blade from moving from side-to-side during the cutting process.

**Caution!** Do not apply force to the tool by pressing too hard with your hands or leaning into it. The weight of the tool itself creates enough force to make a clean cut. Forcing the tool or applying pressure by leaning onto it may cause the blade to twist or break, damaging the saw as well as its environment and possibly causing injury. As you reach the end of your workpiece, finish off the cut by slightly raising the unit slowly to bring the blade up.

### Maintenance/service

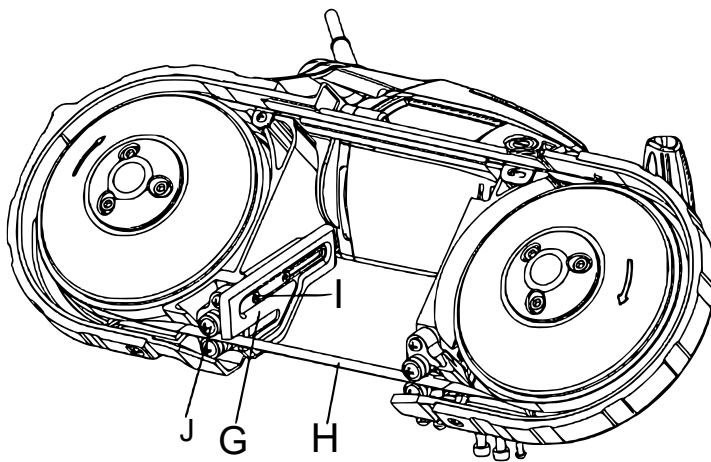
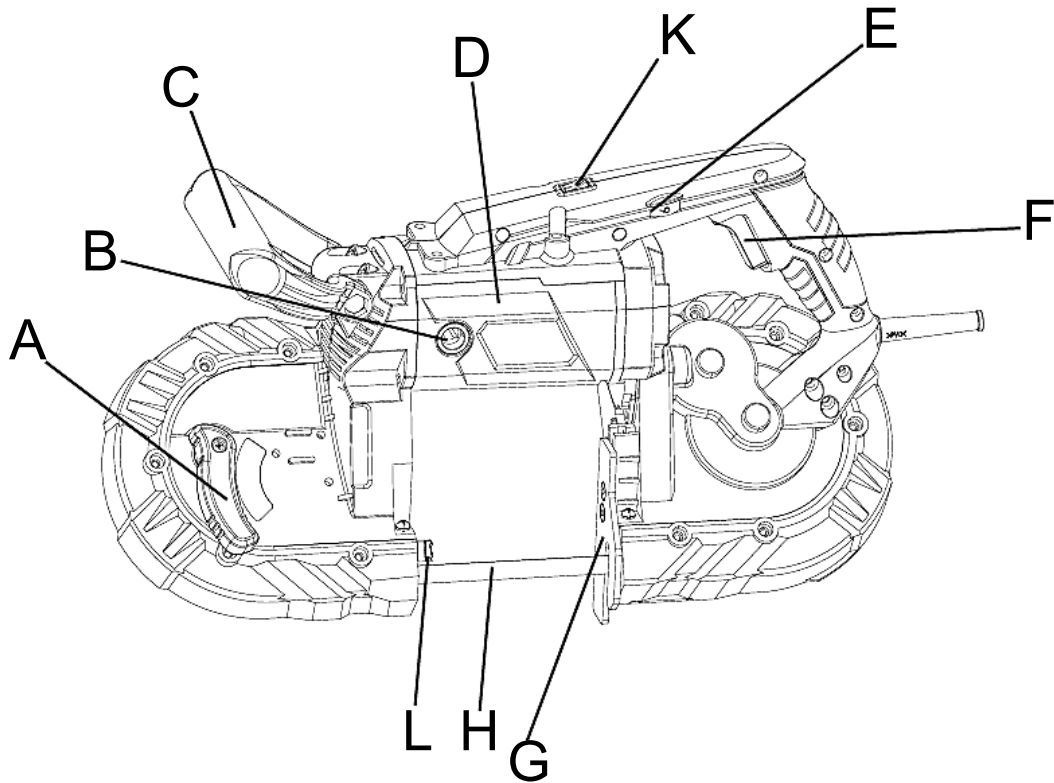
- Protect the tool from impact, shock, and grease.
- Always keep tool and cord clean (especially the ventilation slots).
- Turn the tool off properly and disconnect it from its power source before cleaning.
- Do not attempt to clean ventilation slots by inserting pointed objects through openings.

### Technical specification

<b>Voltage (V)</b>	220–240
<b>Frequency (Hz)</b>	50
<b>Power (W)</b>	1100
<b>Saw blade speed (m/s)</b>	0,7–2,4
<b>Cutting capacity (mm)</b>	127
<b>Protection class</b>	II



**Explosion views and parts list**



No	Name
A	Tension handle
B	External carbon brush
C	Auxiliary handle
D	Motor housing
E	Speed dial
F	On/off switch
G	Guide bar
H	Blade
I	Screw
J	Guide bearing
K	Power switch to L
L	LED light

## Disposal regulations

EU guidelines regarding the disposal of scrap electric appliances (WEEE, 2012/19/EU) were implemented in the law related to electrical and electronic equipment and appliances.

All WiTec electric devices that fall under the WEEE regulations are labelled with the crossed-out wheeled waste bin logo. This logo indicates that this electric equipment must not be disposed with the domestic waste.

The company WiTec Technik GmbH has been registered in the German registry EAR under the WEEE-registration number DE45283704.

Disposal of used electrical and electronic appliances (intended for use in the countries of the European Union and other European countries with a separate collection system for these appliances).

The logo on the article or on its packaging points out that this article must not be treated as normal household waste but must be disposed to a recycling collection point for electronic and electrical waste equipment. By contributing to the correct disposal of this article you protect the environment and the health of your fellow men. Environment and health are threatened by inappropriate disposal.



Material recycling helps reduce the consumption of raw materials.

Additional information on recycling this article can be provided by your local community, municipal waste disposal facilities, or the store where you purchased the article.

Address:  
WiTec Wildanger Technik GmbH  
Königsbenden 12 / 28  
D-52249 Eschweiler

Important notice:

The reprint or reproduction, even of excerpts, and any commercial use, even in part, of this instruction manual require the written permission of WiTec Wildanger Technik GmbH.