

User's manual

Heavy-duty Shelving System

62863–62868, 62870, 62872, 62873



Illustration similar, may vary depending on model

Read and follow the operating instructions and safety information before using for the first time.

Technical changes reserved!

Illustrations, functional steps, and technical data may deviate insignificantly due to continuous further developments.

Updating the documentation

If you have suggestions for improvement or have found any irregularities, please contact us.



The information contained in this document may alter at any time without prior notice. No part of this document may be copied or otherwise duplicated without prior written consent. All rights reserved. WilTec Wildanger Technik GmbH cannot be held liable for any possible mistakes in this operating manual, nor in the diagrams and illustrations shown.

Although WilTec Wildanger Technik GmbH has made every possible effort to ensure that this operating manual is complete, accurate, and up-to-date, errors cannot be ruled out entirely.

If you have found an error or wish to suggest an improvement, we look forward to hearing from you. Send us an e-mail to:

service@wiltec.info

or use our contact form:

<https://www.wiltec.de/contacts/>

The most recent version of this manual in several languages can be found in our online shop:

<https://www.wiltec.de/docsearch>

Our postal address is:

WilTec Wildanger Technik GmbH
Königsbenden 12
52249 Eschweiler Germany

To return your goods for exchange, repair, or other purposes, please use the following address. Attention! To allow for a trouble-free complaint or return, it is important to contact our customer service team before returning your goods.

Retourenabteilung
WilTec Wildanger Technik GmbH
Königsbenden 28
52249 Eschweiler Germany

E-mail: **service@wiltec.info**
Tel: +49 2403 55592-0
Fax: +49 2403 55592-15



Introduction

Thank you for choosing to purchase this quality product. To minimise the risk of injury, we ask you to always take some basic safety precautions when using this product. Please read this operating manual carefully and make sure that you understand it.

Keep these operation instructions in a safe place.

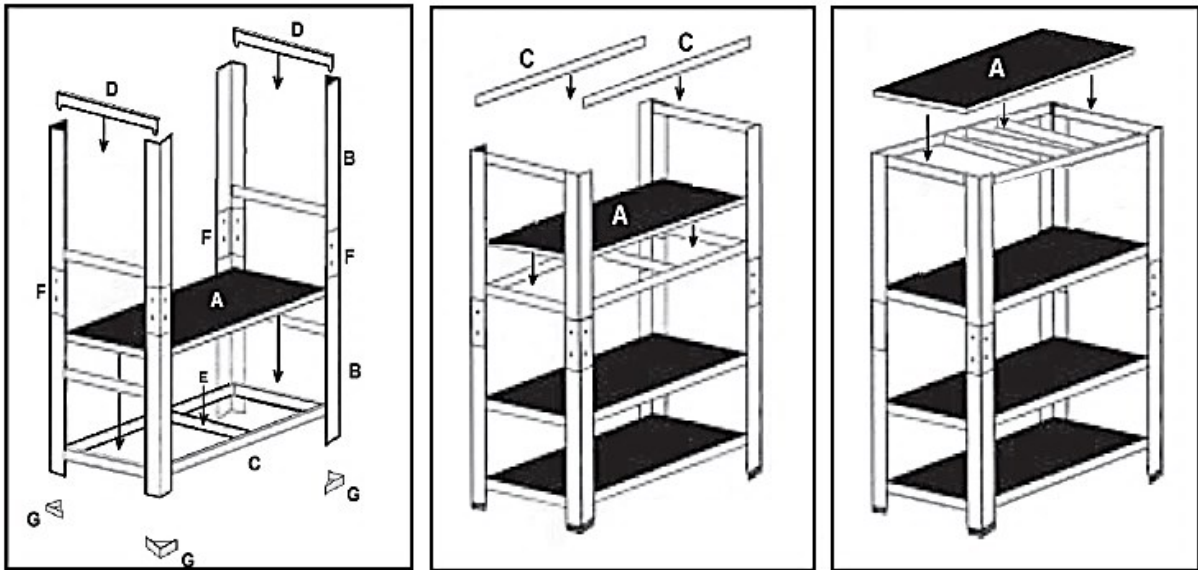
Safety instructions

- The maximum capacity of 175 kg per shelf must not be exceeded.
- The load must be distributed regularly on the individual shelves to avoid the chipboards being damaged.
- Should the guide get out of place, insert a screwdriver into the notch to bend it in opposite direction to open it.
- The shelf system is not suitable for use in rooms with a high air humidity, as this could damage the chipboards.

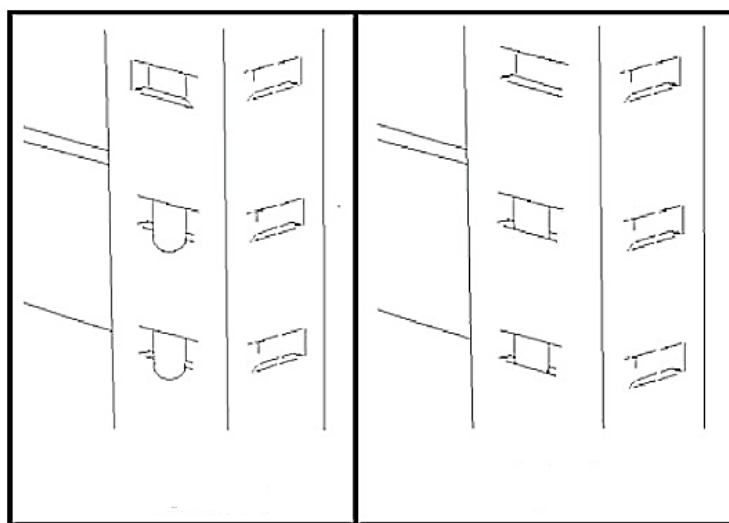
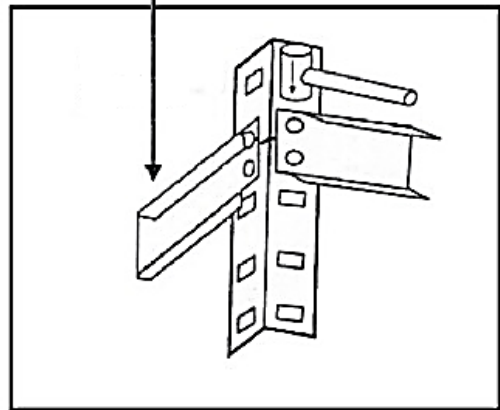
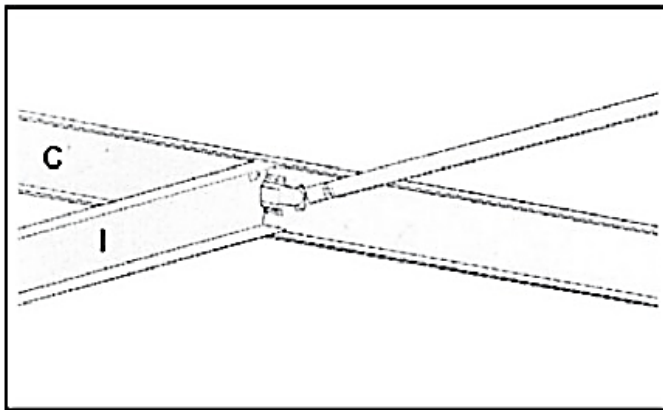
Attention! Never exceed the maximum admissible charge (see information on packaging or shelf). To increase the stability, it is advisable to attach the shelving system to a wall.

Assembly

- After delivery, check the parts for completeness and intactness. Do not use the shelving system if it is damaged or if parts are missing.
- To avoid scratched, assemble the product on a clean and level surface (e.g., a carpet).
- Use a rubber mallet not to damage the coating material.
- Always place the shelves on a horizontal and entirely level surface; otherwise, the maximum stability and capacity cannot be ensured.
- Only use rawlplugs and fixing screws suitable for the individual wall and the weight of your individual shelving system. (Rawlplugs, screws, and wall-mounting tools are not included.)
- No responsibility is assumed for damages or consequential damages caused by any improper assembly or non-compliance with the instruction manual.
- Do not damage any water or current line during assembly and mounting.




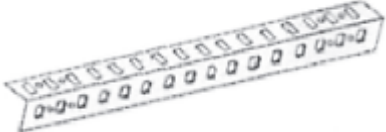



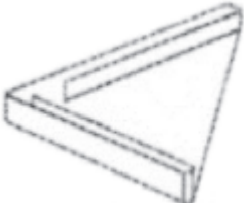

Pointing downwards



False

Correct

Parts list

Letter	Part	Quantity
A		4
B		8
C		8
D		8
F		4
G		8
E		12

Assembly steps



1



2



3



4

Important Note:

Reproduction and any commercial use (of parts) of this operating manual, requires a written permission of WilTec Wildanger Technik GmbH.