

Operation Manual

Electric Polisher

62883, 62884



Illustration similar, may vary depending on model

Read and follow the operating instructions and safety information before using for the first time.

Technical changes reserved!

Due to further developments, illustrations, functioning steps, and technical data can differ insignificantly.

Updating the documentation

If you have suggestions for improvement or have found any irregularities, please contact us.



The information contained in this document may alter at any time without previous notice. It is prohibited to copy or spread any parts of this document in any way without prior written allowance. All rights reserved.

The WilTec Wildanger Technik GmbH cannot be held accountable for any possible mistakes in this operating manual, nor in the diagrams and figures shown.

Even though, the WilTec Wildanger Technik GmbH has undergone biggest possible efforts to ensure that the operating manual is complete, faultless, and up to date, mistakes cannot be entirely avoided.

If you should find a mistake or wish to make a suggestion for improvement, we look forward to hearing from you.

Send an e-mail to:

service@wiltec.info

or use our contact form:

<https://www.wiltec.de/contacts/>

The most recent version of this manual in various languages can be found in our online shop via:

<https://www.wiltec.de/docsearch>

Our postal address is:

WilTec Wildanger Technik GmbH
Königsbenden 12
52249 Eschweiler
Germany

To return orders for exchange, repair, or other purposes, please use the following address. Attention! To allow for a smooth execution of your complaint or return, it is important to contact our customer service team before returning the goods.

Returns Department
WilTec Wildanger Technik GmbH
Königsbenden 28
52249 Eschweiler

E-mail: **service@wiltec.info**

Tel: +49 2403 55592-0

Fax: +49 2403 55592-15



Introduction

Thank you for purchasing this quality product. **To minimise the risk of injury we urge that our clients take some basic safety precautions when using this device. Please read the operation instructions carefully and make sure you have understood its content.**

Keep these operation instructions safe.

Safety instructions

Warning! Read and understand all instructions. Failure to follow all the instructions and notes below may result in electric shock, fire, and/or serious injury.

Work area

- Keep your work area tidy and well lit. Untidy and poorly lit work areas increase the risk of accidents.
- Do not operate power tools in potentially explosive atmospheres, e.g., in the immediate vicinity of flammable liquids, gases or dusts. Power tools produce sparks that can ignite dust or vapours.
- Keep bystanders, children, and visitors away while operating a power tool. Distractions can cause you to lose control of the tool.
- Avoid physical contact with earthed surfaces such as pipes, radiators, cookers, and refrigerators. There is an increased risk of electric shock if your body is earthed.
- Do not expose power tools to rain or moisture. If water enters a power tool, the risk of electric shock increases.
- Never misuse the power cord. Never use the cable to carry the appliance and do not pull on the cable to disconnect the mains plug from the mains. Keep the cable away from heat, oil, sharp edges or moving parts. Replace damaged cables immediately. Damaged cables increase the risk of electric shock.
- When operating a power tool outdoors, use an extension cord that is rated for outdoor use. An extension cord marked for outdoor use reduces the risk of electric shock.

Personal safety

- When operating a power tool, always remain alert, give full attention to your actions and work, and always work with foresight and caution. Do not use the tool when you are tired or under the influence of alcohol, drugs, or medicine. A moment of carelessness when operating power tools can result in serious injury.
- Dress appropriately. Do not wear loose clothing or jewellery. Tie up long hair. Keep your hair, clothing, and gloves away from moving parts. Loose clothing, jewellery or long hair can get caught in moving parts and cause injuries.
- Avoid accidental starting. Make sure the switch is in the off position before connecting the power plug to the mains. Carrying electrical appliances while your finger is on the switch or plugging in electrical appliances with the switch in the on position can cause accidents.
- Remove adjusting keys or wrenches before turning on the tool. A wrench or adjusting key left on a rotating part of the tool may result in personal injury.
- Do not overreach. Always maintain a firm footing and balance. Good footing and balance allow better control of the tool in unexpected situations.
- Wear appropriate protective equipment. Always wear eye protection, Dust mask, non-slip safety shoes, hard hat, and hearing protection. **Ordinary eyeglasses or sunglasses are not eye protection!**

Use and care of power tools

- Use clamps or another convenient method to secure and support the workpiece on a stable platform. Holding the workpiece by hand or pressing it against the body may cause it to become unstable, resulting in loss of control and injury.



- Do not use the tool with force. Use the appropriate tool for the task Application. The appropriate tool will do the task better and safer at the speed for which it is designed.
- Disconnect the mains plug from the power source before adjusting, changing accessories, or storing the unit. Such safety precautions reduce the risk of accidentally starting the machine.
- Keep unused equipment out of the reach of children and other untrained persons. Tools in the hands of untrained users are dangerous.
- Check if moving parts are misaligned or not, if parts are broken or if there are other conditions that may affect the operation of the appliance. If the unit is damaged, have it serviced before use. Many accidents are caused by poorly maintained equipment.
- Use only accessories recommended by the manufacturer. Accessories that may be suitable for one tool can be dangerous when used on another tool.

Maintenance

- Only use accessories recommended by the manufacturer. Accessories that may be suitable for one tool may be dangerous when used on another tool.
- When servicing a tool, use only identical replacement parts. Use of unauthorised parts or failure to follow maintenance instructions may result in electric shock or injury.
- Use a suitable extension cord: Make sure the extension cord is in good condition. If you use an extension cord, make sure it is strong enough to pass the amount of current the appliance requires. An unsuitable cable will cause the mains voltage to drop, resulting in power loss and overheating.

Specific safety instructions

- Always use a suitable grinding wheel guard. This protects the operator from broken pieces of the grinding wheel.
- Accessories must be rated for at least the speed recommended on the tool's rating plate. Grinding wheels and other accessories running above the rated speed can fly apart, causing injury.
- Hold the tool by the insulated gripping surfaces when carrying out work where the cutting tool may touch hidden conductors or their cables. Contact with a live line will cause exposed metal parts of the tool to also be live and cause an electric shock.
- When using depressed centre grinding wheels, be sure to use only fibreglass reinforced wheels.
- Always wear safety glasses during use. Ordinary eyeglasses or sunglasses are not safety glasses!
- Check the grinding wheel carefully for cracks or damage before use. Replace cracked or damaged grinding wheels immediately. Run the unit (with guard) for about one minute without load (keep the unit away from other people). If the disc is faulty, it will probably come off during this test.
- Only use flanges that are suitable for this tool.
- Be careful not to damage the spindle, flange (especially the mounting surface) and lock nut. Damage to these parts can cause the disc to break.
- Never use the tool together with wood cutting blades or other saw blades. Such saw blades often kick back when used on the grinder and cause a loss of control that can lead to injury.
- Hold the tool firmly.
- Keep hands away from rotating parts.
- Keep the cable away from the grinding wheel. Do not wrap the cable around your arm or wrist. If you lose control of the tool, you may become entangled in the cable, which can cause injury.
- Make sure that the grinding wheel does not touch the workpiece before the switch is operated.
- Let the tool run for a while before using it on an actual workpiece. Look out for vibrations or wobbling – this may indicate incorrect attachment or an incorrectly balanced grinding wheel.
- Watch out for flying sparks. Hold the tool so that sparks stay away from you, other people and flammable materials.
- Do not run the tool when it is not in use. Operate the tool only when handheld.
- Do not touch the workpiece immediately after operation. It may be very hot and could burn your skin.
- Always wear suitable clothing, e.g., a long-sleeved shirt, leather gloves and protective work clothing to protect the skin from contact with hot abrasive material.

- Using this tool for sanding or grinding certain products, paints and wood may expose the user to dust containing hazardous substances. Use suitable respiratory protection.

Caution! Misuse or failure to observe the safety instructions given in these operating instructions may result in serious injury.

Operating instructions

Ring handle

To operate safely and conveniently, please use the auxiliary handle. Fix the auxiliary handle by aligning its convex parts with the head case recess and fastening the socket head screw with a socket screw wrench. You can install the auxiliary handle in either direction.



Installation of the polishing wheel

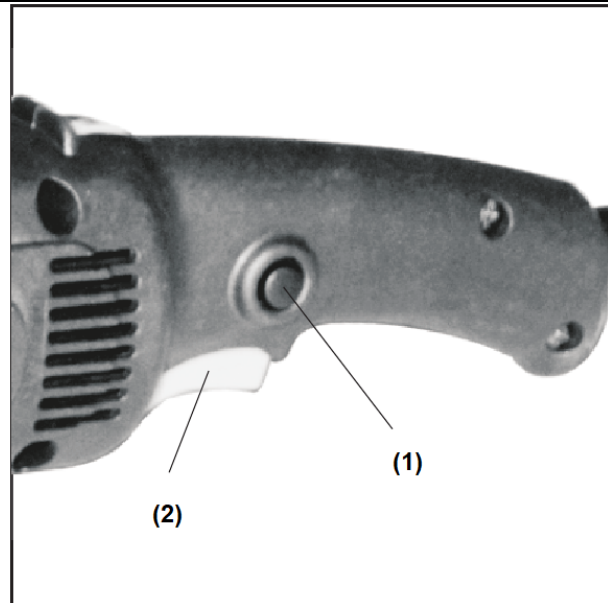
Align the upper screw thread of the polishing wheel with the output shaft. Press the self-locking pin and rotate the polishing wheel clockwise until it is tightened. Press the self-locking pin and rotate the polishing wheel anti-clockwise and you can remove it. When replacing the worn polishing pad, make sure that the new polishing pad and the polishing wheel are aligned so that they both run round.



Trigger operation

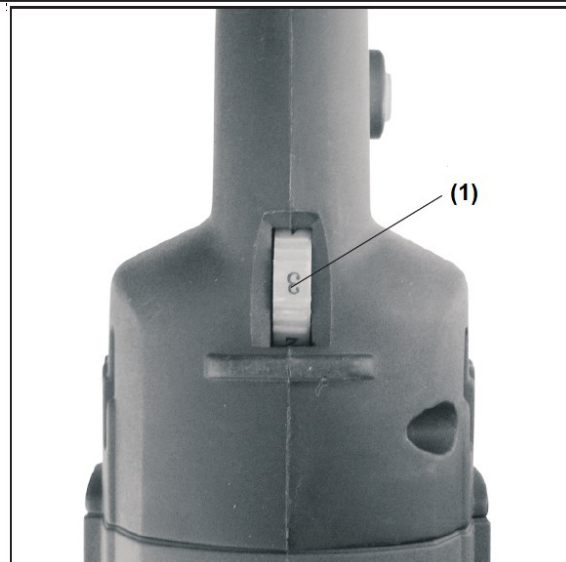
Caution! Before plugging in the mains plug, make sure that the power button is in the “OFF” position and that the trigger can be reset smoothly.

Start and stop: Pull the trigger **(2)** to start the unit. Release the trigger completely to stop the unit. If you want to use the locking switch, you only need to press the self-locking button **(1)** as soon as you pull the trigger of the unit. The unit will then run continuously. Release the trigger completely to stop the unit.



Speed adjustment

The speed switch **(1)** can be set from level “1” to “6”. You can set different rotation speeds from low to high according to the requirements of the different jobs to be done.



Efficient and safe operation

Caution! Make sure that the power supply is disconnected when you place the tool on the work surface and never put the polishing wheel down until it stops completely.

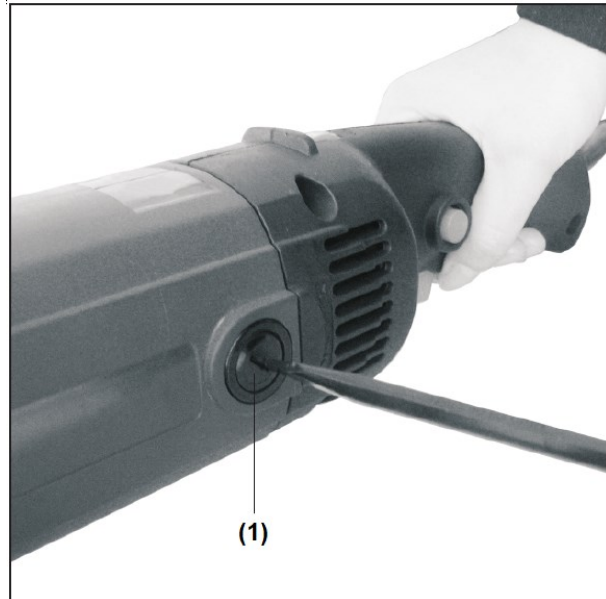
Hold the tool firmly and turn on the switch. Then move the polishing wheel at an angle of 15 degrees to the surface of the workpiece; move it only with light pressure. Excessive pressure will affect the quality of the work and wear the polishing wheel.





Replacing the carbon brush

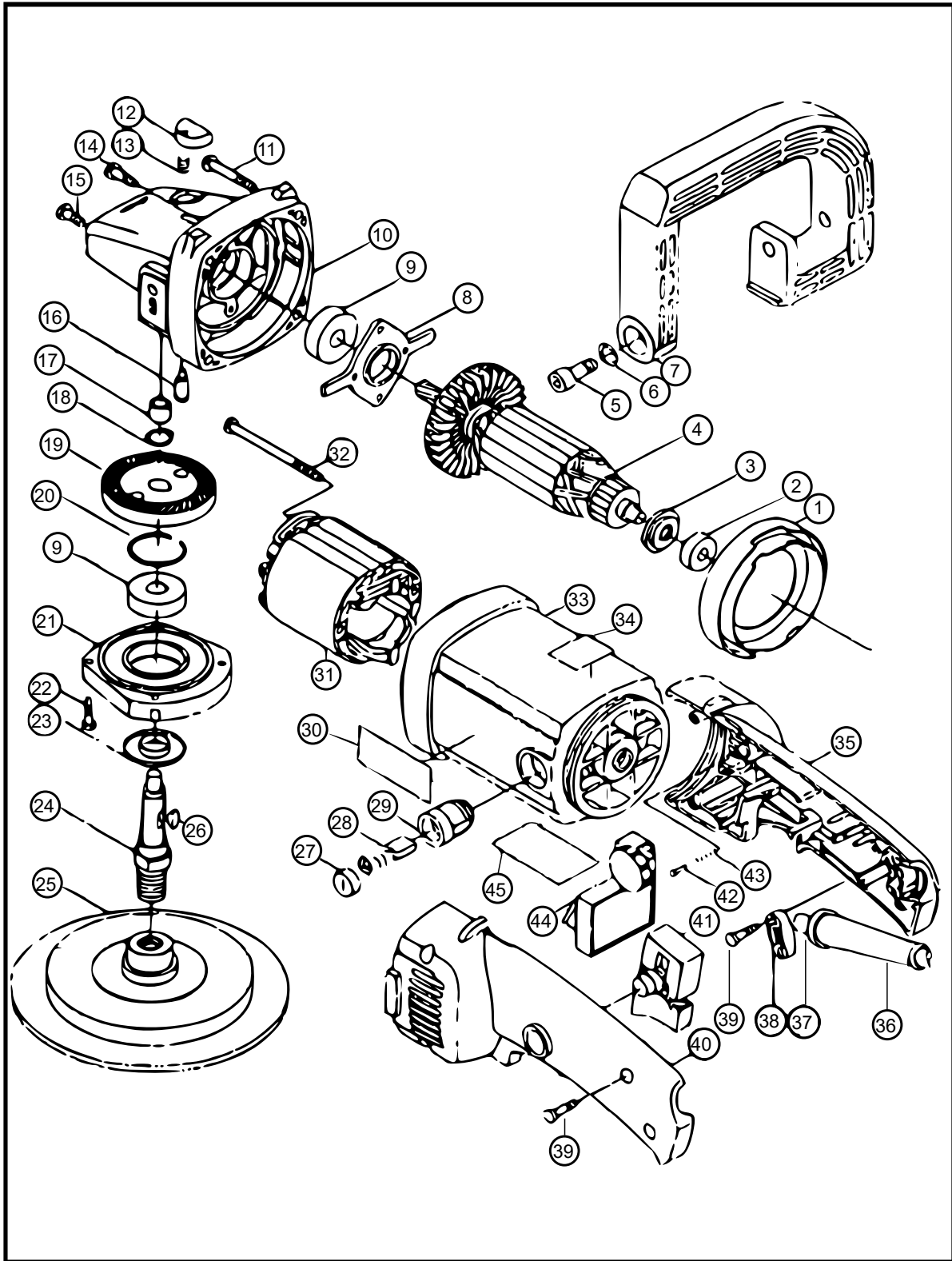
This appliance has a device to replace worn carbon brushes. If there are large sparks during the rotation of the device or the device stops running, please replace the carbon brushes. Remove the cover of the carbon brushes (1) with a screwdriver. Remove the worn brushes and replace them with new ones. Make sure that the brushes can be easily inserted into the holder by hand and then tighten the cover again. Make sure that both brushes are replaced at the same time.



Technical data

Rated voltage (V)	230
Rated frequency (Hz)	50
Power input (W)	1200
Max. (no-load) speed (1/min)	3000
Grinding wheel diameter (mm)	180
Support plate diameter (mm)	150, 180
Polishing fleece diameter (mm)	180
Polishing sponge diameter (mm)	150

Exploded drawing and parts list



No	Name	No	Name
1	Baffle Ring	24	Output shaft
2	Bearing (608)	25	Polishing wheel



3	Cree page baffle ring	26	Semi-circular Key
4	Rotor	27	Brush holder cap
5	Screw (M8×20)	28	Carbon brush
6	Gasket	29	Brush holder
7	Auxiliary handle	30	Big Type plate
8	Bearing clamping cap	31	Stator
9	Bearing (6201)	32	Screw (St 4,2×70)
10	Head case	33	Frame
11	Screw (St 4,8×35)	34	Small Type plate
12	Self-locking cap	35	Left handle
13	Self-locking pin spring	36	Cable sheath bond
14	Screw (M5×16)	37	Cable
15	Screw (M5×12)	38	Cable clamping plate
16	Self-locking pin	39	Screw (St 4,2×18)
17	Bearing(HK081210)	40	Right handle
18	Bearing baffle ring (∅ 12 mm)	41	Straight speed switch
19	Large gear	42	Rivet (2×10)
20	Baffle ring (∅ 32 mm)	43	Small spring of switch
21	Front cover	44	Trigger
22	Screw (M4×16)	45	Type plate
23	Dust cover		

Disposal regulations

EU guidelines regarding the disposal of scrap electric appliances (WEEE, 2012/19/EU) were implemented in the law related to electrical and electronic equipment and appliances.

All WiTec electric devices that fall under the WEEE regulations are labelled with the crossed-out wheeled waste bin logo. This logo indicates that this electric equipment must not be disposed with the domestic waste.

The company WiTec Technik GmbH has been registered in the German registry EAR under the WEEE-registration number DE45283704.

Disposal of used electrical and electronic appliances (intended for use in the countries of the European Union and other European countries with a separate collection system for these appliances).

The logo on the article or on its packaging points out that this article must not be treated as normal household waste but must be disposed to a recycling collection point for electronic and electrical waste equipment. By contributing to the correct disposal of this article you protect the environment and the health of your fellow men. Environment and health are threatened by inappropriate disposal.



Material recycling helps reduce the consumption of raw materials.

Additional information on recycling this article can be provided by your local community, municipal waste disposal facilities, or the store where you purchased the article.

Address:
WiTec Wildanger Technik GmbH
Königsbenden 12 / 28
D-52249 Eschweiler

Important notice:

The reprint or reproduction, even of excerpts, and any commercial use, even in part, of this instruction manual require the written permission of WiTec Wildanger Technik GmbH.