

Instruction Manual

Mini dehumidifier

62937–62939

toboli



Illustration similar, may vary depending on model

Please read and follow the operating instructions and safety information prior to initial operation.

Technical changes reserved!

Illustrations, functional steps, and technical data may deviate insignificantly due to continuous further developments.



The information contained in this document may alter at any time without prior notice. No part of this document may be copied or otherwise duplicated without prior written consent. All rights reserved.

WilTec Wildanger Technik GmbH cannot be held liable for any possible mistakes in this operating manual, nor in the diagrams and illustrations shown.

Although WilTec Wildanger Technik GmbH has made every possible effort to ensure that this operating manual is complete, accurate, and up-to-date, errors cannot be ruled out entirely.

If you have found an error or wish to suggest an improvement, we look forward to hearing from you.

Send us an e-mail to:

service@wiltec.info

or use our contact form:

<https://www.wiltec.de/contacts/>

The most recent version of this manual in several languages can be found in our online shop:

<https://www.wiltec.de/docsearch>

Our postal address is:

WilTec Wildanger Technik GmbH
Königsbenden 12
52249 Eschweiler Germany

To return your goods for exchange, repair, or other purposes, please use the following address. Attention! To allow for a trouble-free complaint or return, it is important to contact our customer service team before returning your goods.

Retourenabteilung
WilTec Wildanger Technik GmbH
Königsbenden 28
52249 Eschweiler Germany

E-mail: **service@wiltec.info**

Phone: +49 2403 55592-0

Fax: (+49 2403 55592-15)



Introduction

Thank you for choosing to purchase this quality product. To minimise the risk of injury, we ask you to always take some basic safety precautions when using this product. Please read this operating manual carefully and make sure that you understand it.

Keep these operation instructions in a safe place.

Features

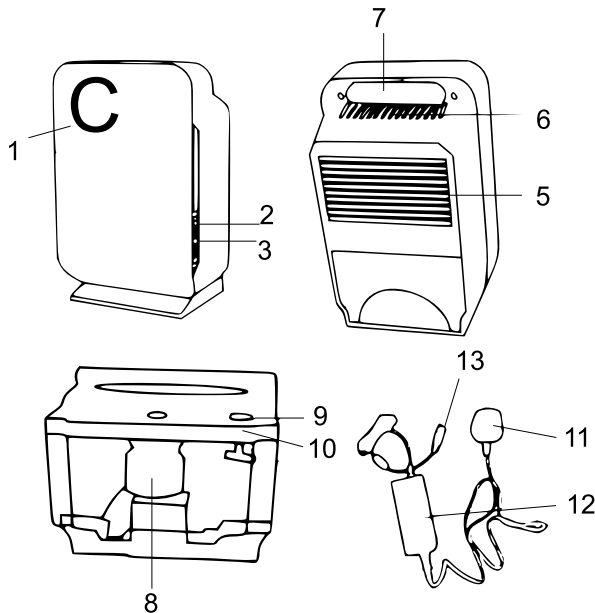
The mini dehumidifier uses Peltier technology (without compressor), which makes it light and quiet. It is perfectly suitable for smaller rooms. Poor ventilation causes musty smells and mould in wardrobes, pantries, cupboards, storage rooms, etc. The mini dehumidifier eliminates this problem by keeping them free of unwanted moisture.

Safety instructions

- After using the mini dehumidifier, the user should turn off the device by setting the rocker switch to the "Off" position.
- Avoid using the AC/DC power adapter in a wet or damp place; place it in a well-ventilated place.
- Keep the front inlet and top outlet free of objects, such as clothing or plastic bags, that can restrict air circulation.
- If the device is properly connected and no power is flowing, have a qualified electrician inspect the AC/DC power adapter and dehumidifier.
- Always make sure that the device is upright to avoid water leaks.
- There are no serviceable parts inside. To avoid electric shocks, do not open the device.
- Any repairs must be carried out by a qualified technician.
- We reserve the right to change technical data for improvement without prior notice.

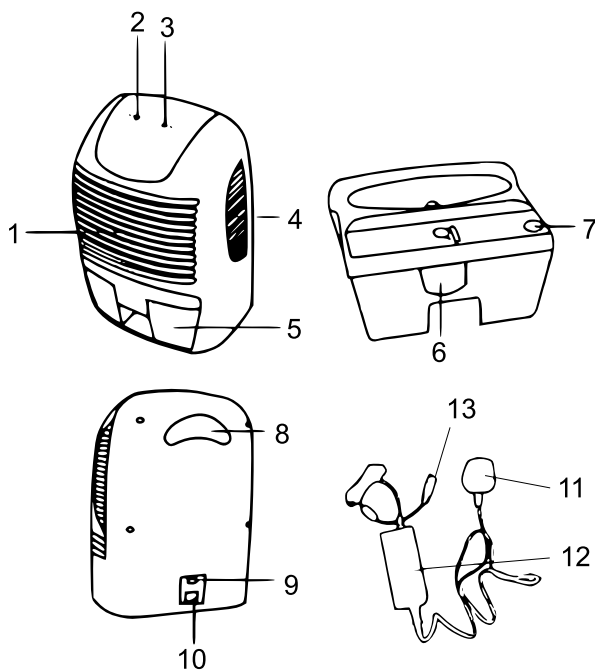
Components

62937



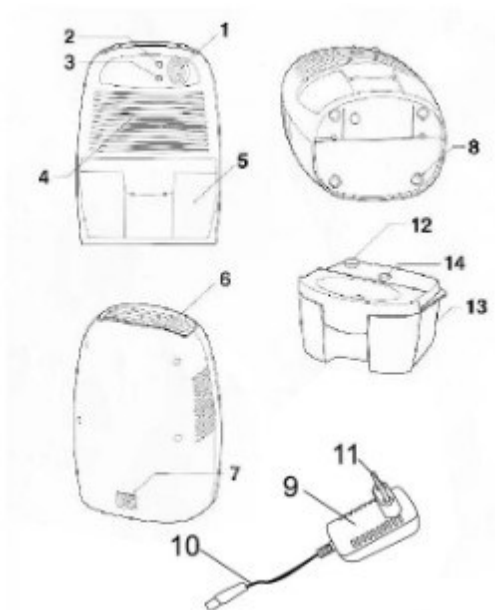
Nº	Name
1	LED display
2	On/off switch
3	DC power connection
4	Removable water tank
5	Dry air outlet
6	Air inlet
7	Handle
8	Hydraulic shutdown
9	Water displacement
10	Water tank
11	AC power plug with power cord
12	AC/DC power adapter
13	DC jack

62938



Nº	Name
1	Air inlet
2	Green LED ("on")
3	Red LED ("full")
4	Dry air outlet
5	Removable water tank
6	Hydraulic shutdown
7	Water displacement
8	Handle
9	On/off switch
10	DC power connection
11	AC power plug with power cord
12	AC/DC power adapter
13	DC jack

62939



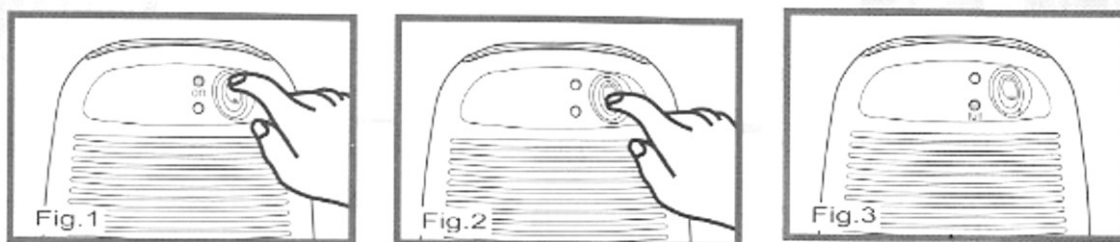
No	Name
1	On/off switch
2	Green LED ("on")
3	Red LED ("full")
4	Air inlet
5	Removable water tank
6	Dry air outlet
7	DC power connection
8	Rubber pad
9	AC/DC power adapter
10	DC jack
11	AC power plug with power cord
12	Water displacement
13	Water tank
14	Hydraulic shutdown

Technical specifications

	62937	62938	62939
Cooling element	Thermoelectric Peltier module		
Fan (DC) (mm)	80×80	90×90	90×90
Power supply	9 V DC 2.5 A	12 V DC 4 A	12 V DC 5 A
Power consumption (W)	22.5	48	60
Removable water tank	500	1300	1500
Water level detector	Automatic shutdown with red LED light on when the water tank is full		
Product dimensions (mm)	154×218×130	183×288×129	218×160×310
Working environment	Over 15 °C, over 40 % humidity		

Energy

1. Remove the delivered parts from the packaging; there should be two:
 - a) Mini dehumidifier
 - b) AC/DC power adapter
2. Insert the DC plug of the AC/DC power adapter into the DC power connector and then connect the AC plug of the AC/DC power adapter to the appropriate power socket.
3. Set the rocker switch to "On" to operate the mini dehumidifier. The green LED lights up. You can check if air is flowing out of the dry air outlet by listening for a sound and feeling the airflow with your hand.
4. To turn off the device, slide the switch to the "Off" position; the mini dehumidifier switches off.
5. off.



Removable water tank

- When the water tank is full, the device is switched off automatically and the red LED lights up.
- To remove the water tank, first switch off the mini dehumidifier by setting the switch to “Off.” Then remove the water tank and pour the water into the toilet or sink.
- Put the water tank back into the device.
- To continue dehumidification, set the switch to “On” again.

Cleaning

Before cleaning, switch off the mini dehumidifier and pull out the power plug. Use a soft cloth to clean the surface of the device, or use a brush to wipe the dust off the air intake grilles.

Regulations for waste disposal

The Waste Electrical and Electronic Equipment Directive (WEEE Directive, 2012/19/EU) of the EU was implemented in the German law related to electrical and electronic equipment and appliances.

All WilTec electric devices that fall under the WEEE directive are labelled with the symbol of a crossed-out wheeled rubbish bin. This symbol indicates that this electric device must not be disposed of with the domestic waste.

WilTec Technik GmbH is registered with the German registration authority EAR (Stiftung Elektro-Altgeräte Register) under the WEEE-registration number DE45283704.

Disposal of used electrical and electronic devices (intended for use in the countries of the European Union and other European countries with a separate waste collection system for these devices).

The symbol on the packaging or the product itself indicates that this product must not be treated as normal domestic waste but must be disposed of at a recycling collection station for electrical and electronic waste.

By disposing of this product correctly, you contribute to the protection of the environment and the health of your fellow people. Inappropriate disposal threatens the environment and health.



Material recycling helps to reduce the consumption of raw materials.

Additional information about the recycling of this product can be provided by your local commune, the municipal waste disposal facilities, or the store where you purchased the product.

Address:
WilTec Wildanger Technik GmbH
Königsbenden 12 / 28
52249 Eschweiler Germany

Important Note:

Reproduction and any commercial use (of parts) of this operating manual, requires a written permission of WilTec Wildanger Technik GmbH.