

Operation Manual

Chainsaw Sharpening Kit

63026



Illustration similar, may vary depending on model

Read and follow the operating instructions and safety information before using for the first time.

Technical changes reserved!

Due to further developments, illustrations, functioning steps, and technical data can differ insignificantly.

Updating the documentation

If you have suggestions for improvement or have found any irregularities, please contact us.



The information contained in this document may alter at any time without previous notice. It is prohibited to copy or spread any parts of this document in any way without prior written allowance. All rights reserved.

The WilTec Wildanger Technik GmbH cannot be held accountable for any possible mistakes in this operating manual, nor in the diagrams and figures shown.

Even though, the WilTec Wildanger Technik GmbH has undergone biggest possible efforts to ensure that the operating manual is complete, faultless, and up to date, mistakes cannot be entirely avoided.

If you should find a mistake or wish to make a suggestion for improvement, we look forward to hearing from you.

Send an e-mail to:

service@wiltec.info

or use our contact form:

<https://www.wiltec.de/contacts/>

The most recent version of this manual in various languages can be found in our online shop via:

<https://www.wiltec.de/docsearch>

Our postal address is:

WilTec Wildanger Technik GmbH
Königsbenden 12
52249 Eschweiler
Germany

To return orders for exchange, repair, or other purposes, please use the following address. Attention! To allow for a smooth execution of your complaint or return, it is important to contact our customer service team before returning the goods.

Returns Department
WilTec Wildanger Technik GmbH
Königsbenden 28
52249 Eschweiler

E-mail: **service@wiltec.info**

Tel: +49 2403 55592-0

Fax: +49 2403 55592-15

Introduction

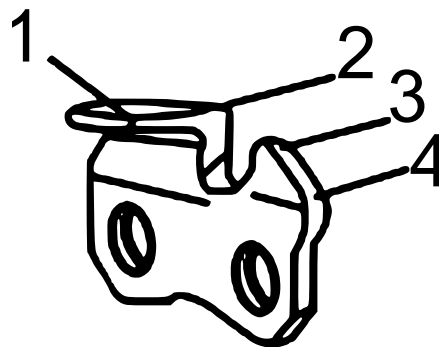
Thank you for purchasing this quality product. **To minimise the risk of injury we urge that our clients take some basic safety precautions when using this device. Please read the operation instructions carefully and make sure you have understood its content.** Keep these operation instructions safe.

Safety instructions

- Always wear appropriate protective equipment, especially protective gloves, during use.
- Make sure that your work area is tidy and well lit. Untidy and too dark work areas increase the risk of accidents.
- Always work on a clean, flat work surface.
- Make sure that the file guide is securely and firmly attached to the guide rail of the power saw before you start sharpening.
- Check the file guide components regularly for damage and signs of wear. Do not use the file if it is damaged.

Caution! Make sure that you have set the cutting angle and the depth gauge correctly. Incorrect settings can increase the risk of kickback of the chainsaw. Kickback can cause serious damage to property and/or injury.

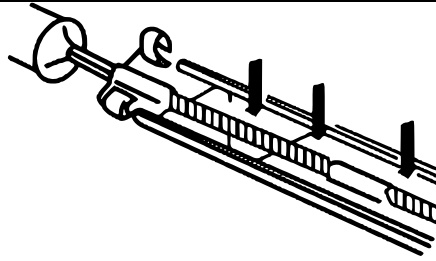
Chain link parts



Nº	Name	Nº	Name
1	Correct angle on the top plate (angle depends on chain type)	3	Top of depth gauge at correct height below top plate
2	Slightly protruding spike/hook	4	Rounded front of the depth gauge

Operation

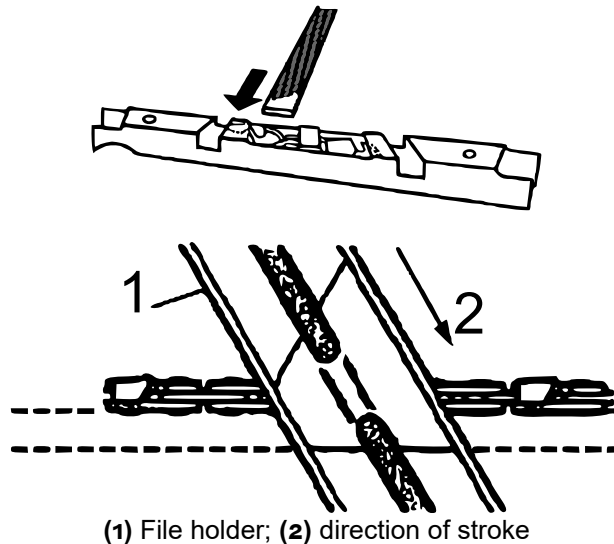
1. Make sure that the saw motor is switched off before you start sharpening.
2. Select a file guide of suitable size.
3. Press on the file guide so that it rests on both the upper plate of the cutter and the depth gauge. The marks on the guide must match the length of the chain.



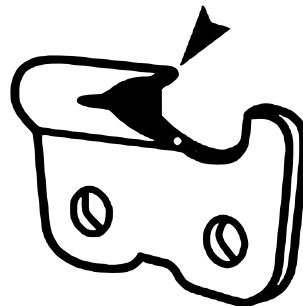
4. Make sure that the file is firmly seated in the guide groove.



5. Lower the depth gauge tool over the saw chain so that the depth gauge is visible.
6. Run a file in a forward motion over the depth gauge until it no longer protrudes from the tool.



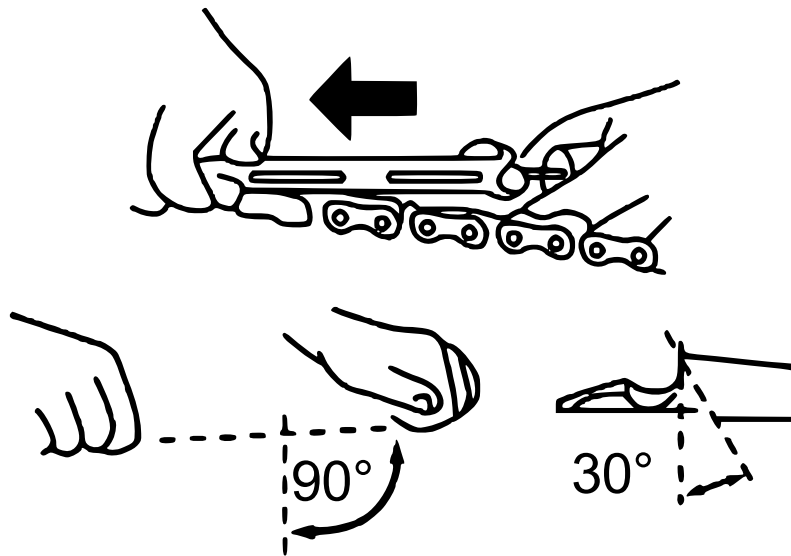
Notice! If the surface of the top panels or side panels is damaged, file them back until the damaged area is removed.



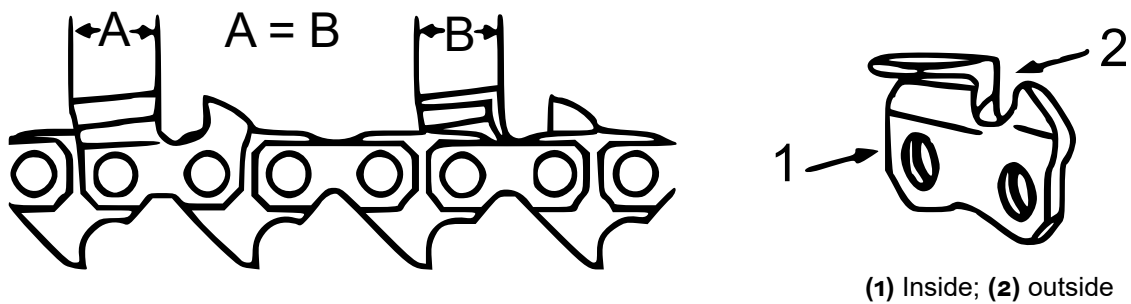
Keep all the chain links equal. Start with the link with the most damage and file all the links back evenly.

File all the links on one side first. Then move to the other side of the chain and file all the links there to complete the process. File all the chain links equally.

Filing direction



First sharpen the links on one side of the chain. File each link from the inside to the outside. Then turn the saw over and repeat the process for the links on the other side of the chain.



Important notice:

The reprint or reproduction, even of excerpts, and any commercial use, even in part, of this instruction manual require the written permission of WilTec Wildanger Technik GmbH.