

Operation Manual

Foldable Laptop Table

63042

toboli



Illustration similar, may vary depending on model

Read and follow the operating instructions and safety information before using for the first time.

Technical changes reserved!

Due to further developments, illustrations, functioning steps, and technical data can differ insignificantly.

Updating the documentation

If you have suggestions for improvement or have found any irregularities, please contact us.



The information contained in this document may alter at any time without previous notice. It is prohibited to copy or spread any parts of this document in any way without prior written allowance. All rights reserved.

The WilTec Wildanger Technik GmbH cannot be held accountable for any possible mistakes in this operating manual, nor in the diagrams and figures shown.

Even though, the WilTec Wildanger Technik GmbH has undergone biggest possible efforts to ensure that the operating manual is complete, faultless, and up to date, mistakes cannot be entirely avoided.

If you should find a mistake or wish to make a suggestion for improvement, we look forward to hearing from you.

Send an e-mail to:

service@wiltec.info

or use our contact form:

<https://www.wiltec.de/contacts/>

The most recent version of this manual in various languages can be found in our online shop via:

<https://www.wiltec.de/docsearch>

Our postal address is:

WilTec Wildanger Technik GmbH
Königsbenden 12
52249 Eschweiler
Germany

To return orders for exchange, repair, or other purposes, please use the following address. Attention! To allow for a smooth execution of your complaint or return, it is important to contact our customer service team before returning the goods.

Returns Department
WilTec Wildanger Technik GmbH
Königsbenden 28
52249 Eschweiler

E-mail: **service@wiltec.info**

Tel: +49 2403 55592-0

Fax: +49 2403 55592-15

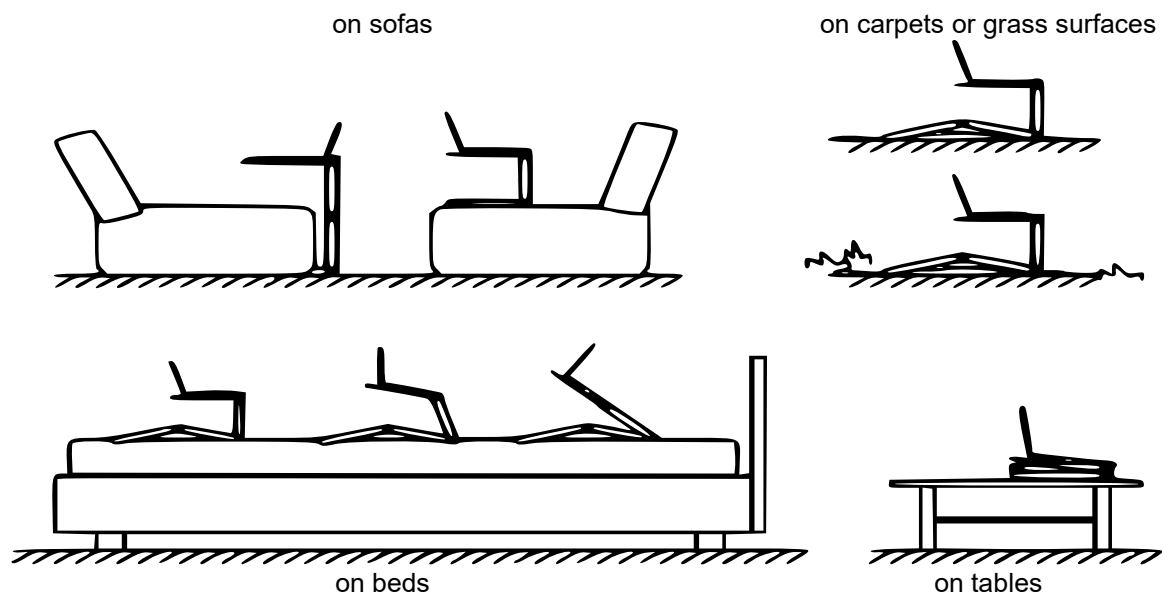
Introduction

Thank you for purchasing this quality product. **To minimise the risk of injury we urge that our clients take some basic safety precautions when using this device. Please read the operation instructions carefully and make sure you have understood its content.**

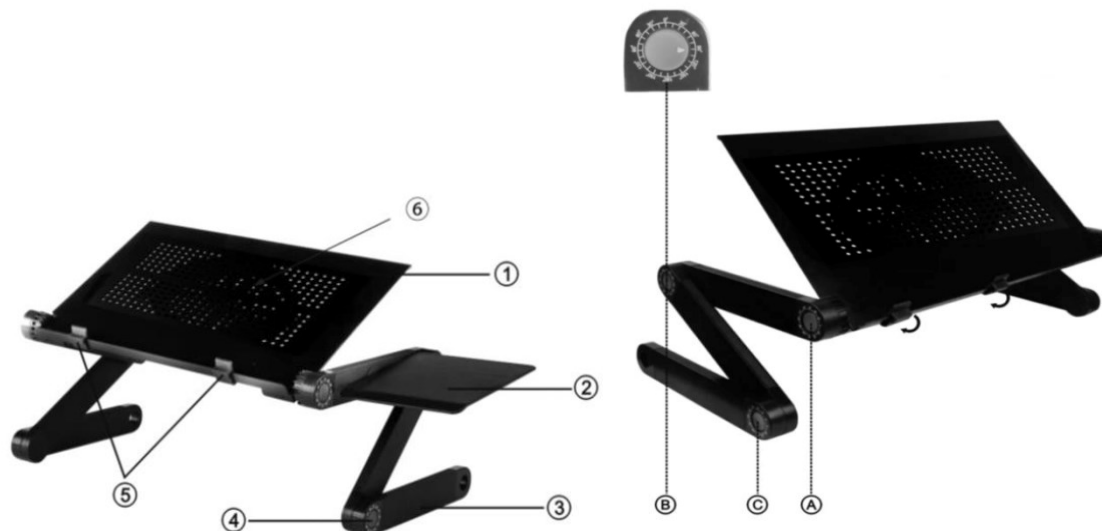
Keep these operation instructions safe.

Product information

- The multifunctional laptop table has a unique design and an elegant finish. Made entirely of high-quality aluminium, it can better absorb and dissipate the heat of the laptop.
- The six 360-degree rotating and automatically locking joints on the legs make the table very flexible and easy to use. The angle and height can be freely adjusted by just pressing the button lightly and then releasing it to lock it in place.
- You can easily fold the table when it is not in use, making transport and storage much easier. The holders on both sides of the panel are designed to prevent the laptop from slipping, giving it an increased level of security.
- The multi-angle foldability makes the table suitable for a variety of uses, such as a laptop stand, book or snack tray. Use it wherever you need it at any moment:



Main components



Nº	Name	Letter	Name
1	Panel	A	Front joint
2	Mouse pad (optional)	B	Middle joint
3	Support angle	C	Rear joint
4	Joint		
5	Brackets		
6	USB ventilation		

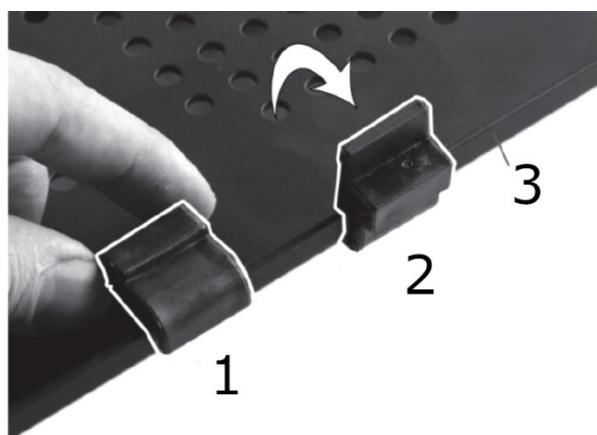
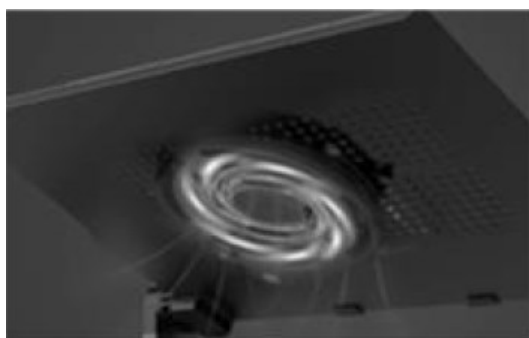
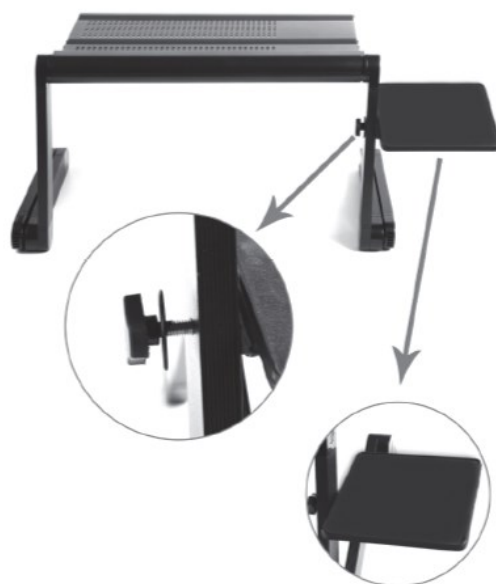


Fig. 1	<i>1st step:</i> Place the holder with the rounded edge facing outwards on the top of the panel edge.
Fig. 2	<i>2nd step:</i> Once the holder is in place, rotate it 90 degrees to secure it to the laptop table.
Fig. 3	<i>Edge:</i> This side should run parallel to you.

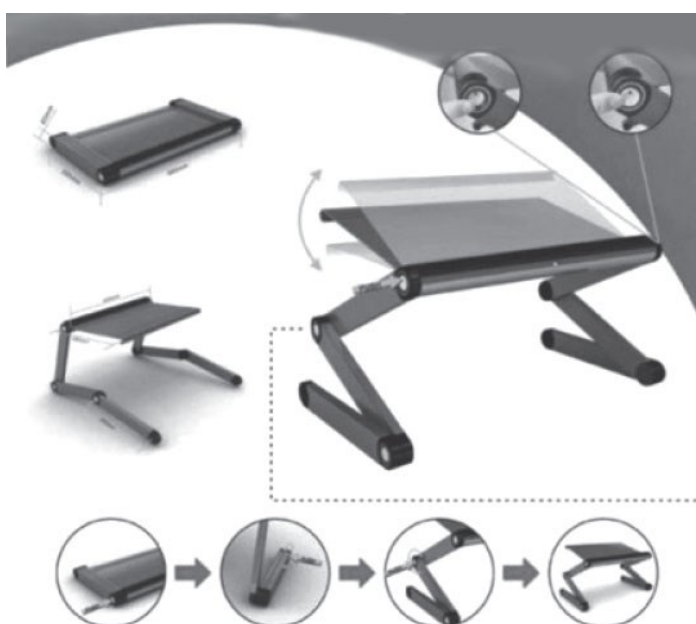


Large built-in fan

The USB-powered fan reduces the operating temperature of the laptop and ensures an even airflow around the unit.

It uses active cooling methods to distribute air quietly and evenly under the bottom of your laptop or notebook.

Functions and setting methods



- Press the button down so that you can roll the support at any angle.
- Release the button so that the joint locks into place.

Operating the joints

Press and hold the round button in the middle to freely adjust the support angles. With the small triangle on the button indicating the desired angle, release the button. The button immediately locks the joint automatically.

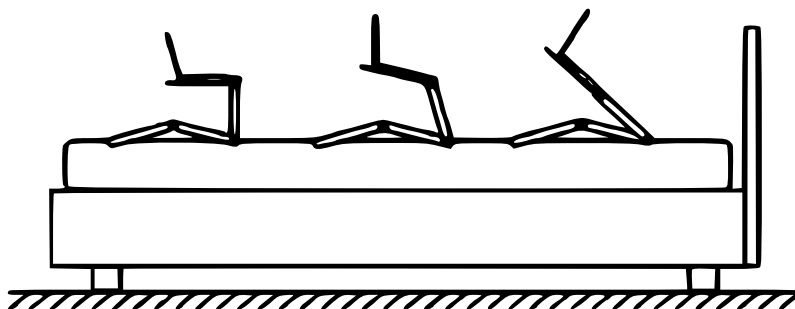
Note! When releasing the button, you may hear a pop sound. This, being the sound of the joint locking, is completely normal.

1. First hold the button down and then adjust the support angles. If the angles cannot be turned, you may not have pressed the button all the way down. Make sure to press the button again.
2. Adjust one support and then adjust the other. When adjusting two supports at the same time, hold the panel with your fingers.
3. The maximum load is 15 kg. Do not overload the table.
4. When you unfold the table, the adjustment sequence of the joints should be $C \rightarrow B \rightarrow A$. When you fold the table, the adjustment sequence of the joints should be $A \rightarrow B \rightarrow C$.

Use

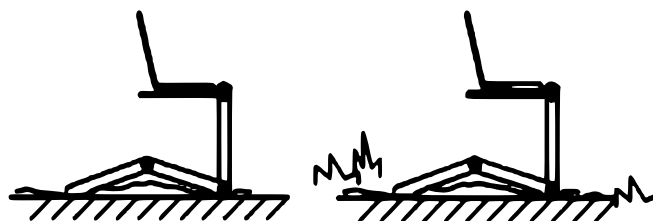
On a bed

1. Set the C joint to 150° .
2. Set the B joint to 30° – 90° .
3. Set the A joint to 90° – 180° .
4. Set the opposite joints on each support to the same angle (so that the table is balanced).
5. Set the B joint to an angle that suits your needs.



On a carpet or outdoors

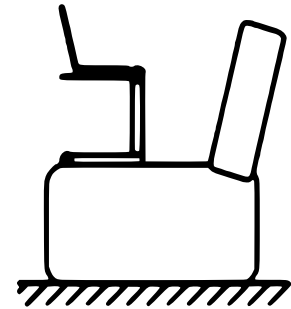
1. Set the C joint to 120° .
2. Set the B joint to 60° .
3. Set the A joint to 90° .
4. Set the opposite joints on each support to the same angle (so that the table is balanced).
5. Set the A joint to an angle that suits your needs.



On a sofa

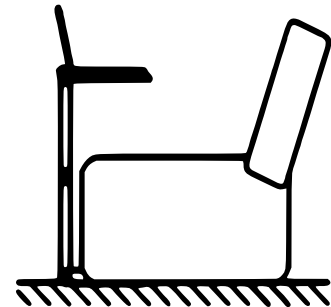
1st setting method

1. Set the C joint to 0° .
2. Set the B joint to 90° .
3. Set the A joint to 90° .
4. Set the opposite joints on each support to the same angle (so that the table is balanced).
5. Set the A joint to an angle that suits your needs.



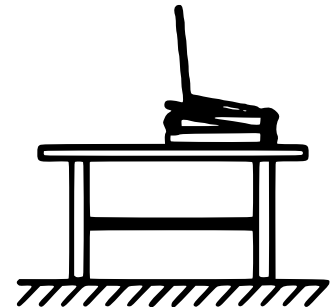
2nd setting method

1. Set the C joint to 90° .
2. Set the B joint to 180° .
3. Set the A joint to 90° .
4. Set the opposite joints on each support to the same angle (so that the table is balanced).
5. Set the A joint to an angle that suits your needs.

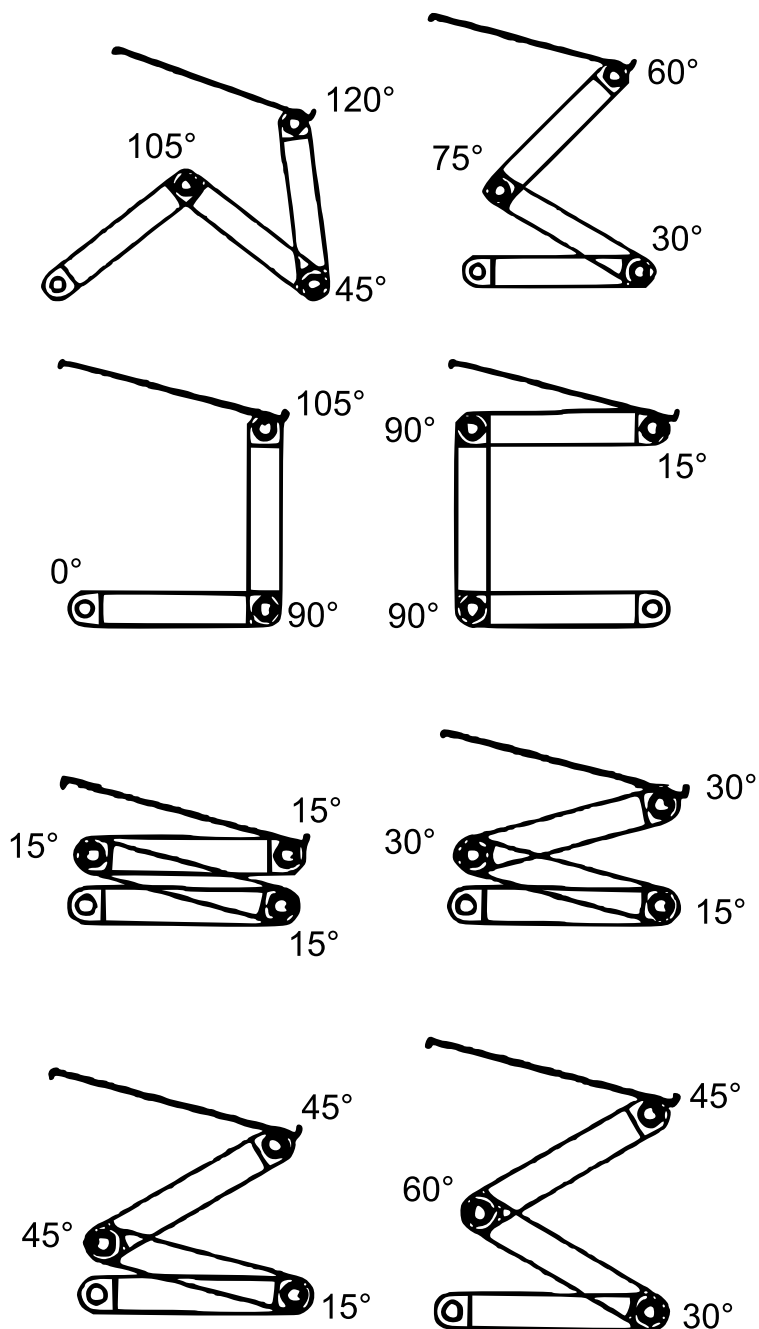


On a table

1. Set the C joint to 90° .
2. Set the B joint to 15° .
3. Set the A joint to 30° .
4. Set the opposite joints on each support to the same angle (so that the table is balanced).
5. Set the A joint to an angle that suits your needs.



Adjustable angles



Important notice:

The reprint or reproduction, even of excerpts, and any commercial use, even in part, of this instruction manual require the written permission of WilTec Wildanger Technik GmbH.