

Operation Manual

Motorcycle Stand

63277



Illustration similar, may vary depending on model

Read and follow the operating instructions and safety information before using for the first time.

Technical changes reserved!

Due to further developments, illustrations, functioning steps, and technical data can differ insignificantly.

Updating the documentation

If you have suggestions for improvement or have found any irregularities, please contact us.



The information contained in this document may alter at any time without previous notice. It is prohibited to copy or spread any parts of this document in any way without prior written allowance. All rights reserved.

The WilTec Wildanger Technik GmbH cannot be held accountable for any possible mistakes in this operating manual, nor in the diagrams and figures shown.

Even though, the WilTec Wildanger Technik GmbH has undergone biggest possible efforts to ensure that the operating manual is complete, faultless, and up to date, mistakes cannot be entirely avoided.

If you should find a mistake or wish to make a suggestion for improvement, we look forward to hearing from you.

Send an e-mail to:

service@wiltec.info

or use our contact form:

<https://www.wiltec.de/contacts/>

The most recent version of this manual in various languages can be found in our online shop via:

<https://www.wiltec.de/docsearch>

Our postal address is:

WilTec Wildanger Technik GmbH
Königsbenden 12
52249 Eschweiler
Germany

To return orders for exchange, repair, or other purposes, please use the following address. Attention! To allow for a smooth execution of your complaint or return, it is important to contact our customer service team before returning the goods.

Returns Department
WilTec Wildanger Technik GmbH
Königsbenden 28
52249 Eschweiler

E-mail: **service@wiltec.info**

Tel: +49 2403 55592-0

Fax: +49 2403 55592-15



Introduction

Thank you for purchasing this quality product. **To minimise the risk of injury we urge that our clients take some basic safety precautions when using this device. Please read the operation instructions carefully and make sure you have understood its content.**

Keep these operation instructions safe.

Important safety information

Assembly

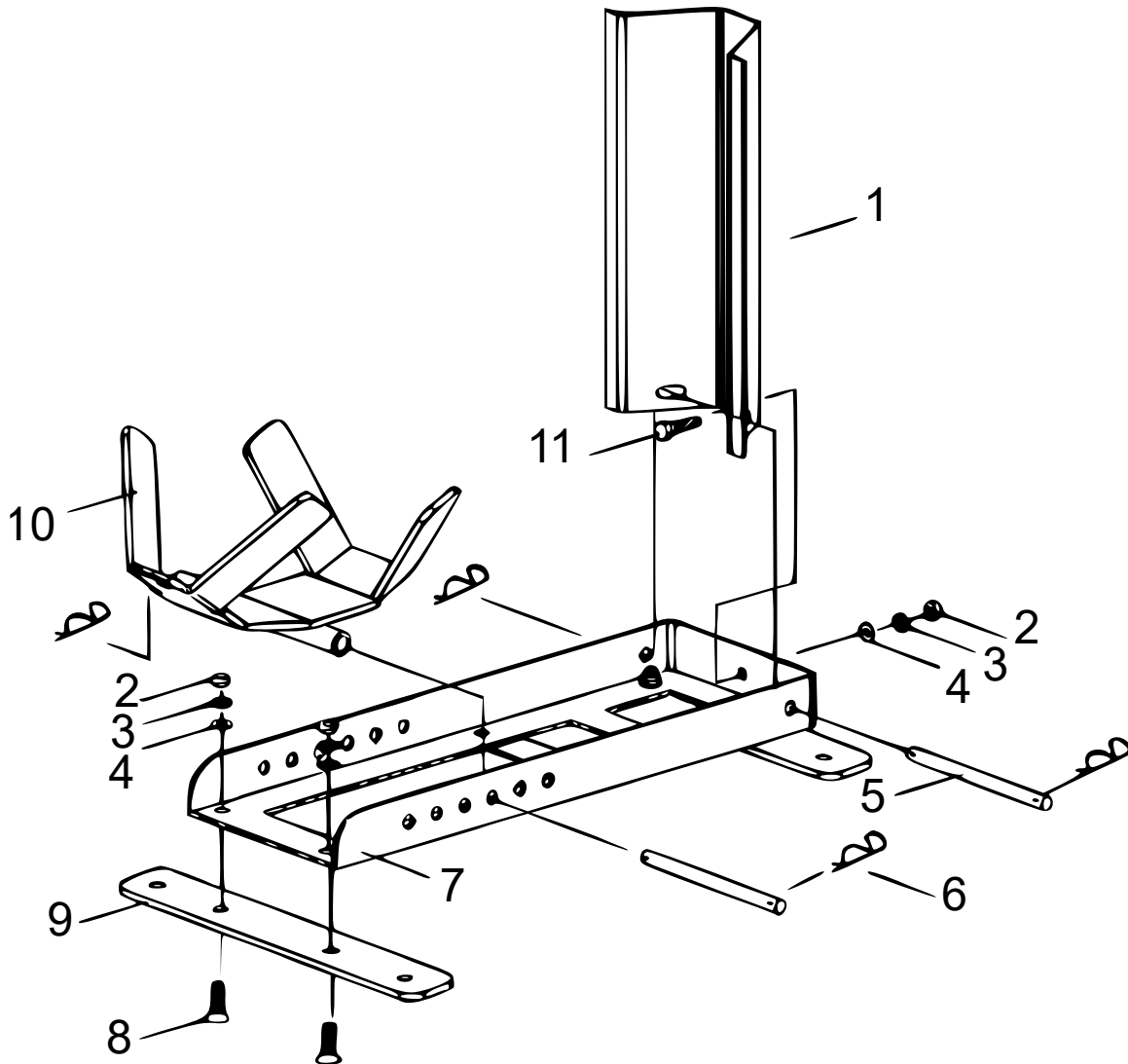
- Only perform assembly according to these instructions. Incorrect assembly may lead to dangerous situations.
- During assembly, wear protective goggles, a dust mask that protects your respiratory system, and robust gloves.
- Keep your working area clean and make sure that it is well-lit.
- During assembly, keep bystanders away from your work area.
- Do not assemble the motorcycle stand when being tired or under the influence of alcohol, drugs, or medicine.
- The maximum charge stated and all other product properties are only valid for a product correctly and completely assembled.

Precautionary measures and warnings

Disobeying the following warnings may lead to injuries or damages.

- Read, understand, and obey all instructions before operating the device.
- Only use the device on a hard, level surface.
- Before transporting the motorcycle, secure it with the help of wedges and belts.
- During assembly and use, wear safety goggles and heavy-duty gloves.
- When loading and unloading, keep a safety distance to the rack, wedges, and motorcycle.
- Load and unload the motorcycle at low speed.
- Only use the device for motorcycle wheels. The device is not suitable for aircrafts.
- Determine the size of the wheels before use.
- Additionally, apply the lateral upright if present.
- Do not drive on the rack with the motorcycle. Only push onto stand!
- Do not stay seated on the motorcycle during loading.
- Check the motorcycle stand before every use. Do not use it when parts are loose or damaged.
- The warnings, precautionary measures, and instructions of this operation manual cannot cover all possible conditions and situations. Always use the device with foresight and greatest prudence possible.

Exploded view and parts list



No	Name
1	Large wheel mount
2	Nut
3	Spring washer
4	Washer
5	Pin
6	R-Pin
7	Base rail
8	Screw
9	Foot
10	Small wheel mount
11	Screw

Important notice: The reprint or reproduction, even of excerpts, and any commercial use, even in part, of this instruction manual require the written permission of WilTec Wildanger Technik GmbH.