

Operation Manual

Outdoor Power Socket

63290, 63291

toboli



Illustration similar, may vary depending on model

Read and follow the operating instructions and safety information before using for the first time.

Technical changes reserved!

Due to further developments, illustrations, functioning steps, and technical data can differ insignificantly.

Updating the documentation

If you have suggestions for improvement or have found any irregularities, please contact us.



The information contained in this document may alter at any time without previous notice. It is prohibited to copy or spread any parts of this document in any way without prior written allowance. All rights reserved.

The WilTec Wildanger Technik GmbH cannot be held accountable for any possible mistakes in this operating manual, nor in the diagrams and figures shown.

Even though, the WilTec Wildanger Technik GmbH has undergone biggest possible efforts to ensure that the operating manual is complete, faultless, and up to date, mistakes cannot be entirely avoided.

If you should find a mistake or wish to make a suggestion for improvement, we look forward to hearing from you.

Send an e-mail to:

service@wiltec.info

or use our contact form:

<https://www.wiltec.de/contacts/>

The most recent version of this manual in various languages can be found in our online shop via:

<https://www.wiltec.de/docsearch>

Our postal address is:

WilTec Wildanger Technik GmbH
Königsbenden 12
52249 Eschweiler
Germany

To return orders for exchange, repair, or other purposes, please use the following address. Attention! To allow for a smooth execution of your complaint or return, it is important to contact our customer service team before returning the goods.

Returns Department
WilTec Wildanger Technik GmbH
Königsbenden 28
52249 Eschweiler

E-mail: **service@wiltec.info**

Tel: +49 2403 55592-0

Fax: +49 2403 55592-15



Introduction

Thank you for purchasing this quality product. **To minimise the risk of injury we urge that our clients take some basic safety precautions when using this device. Please read the operation instructions carefully and make sure you have understood its content.**

Keep these operation instructions safe.

General description

This socket is designed for the household. It fulfils the splash water protection requirements (protection class IP44). This product is not suitable for use on construction sites or other environments with harsh operating conditions.

Safety precautions and instructions

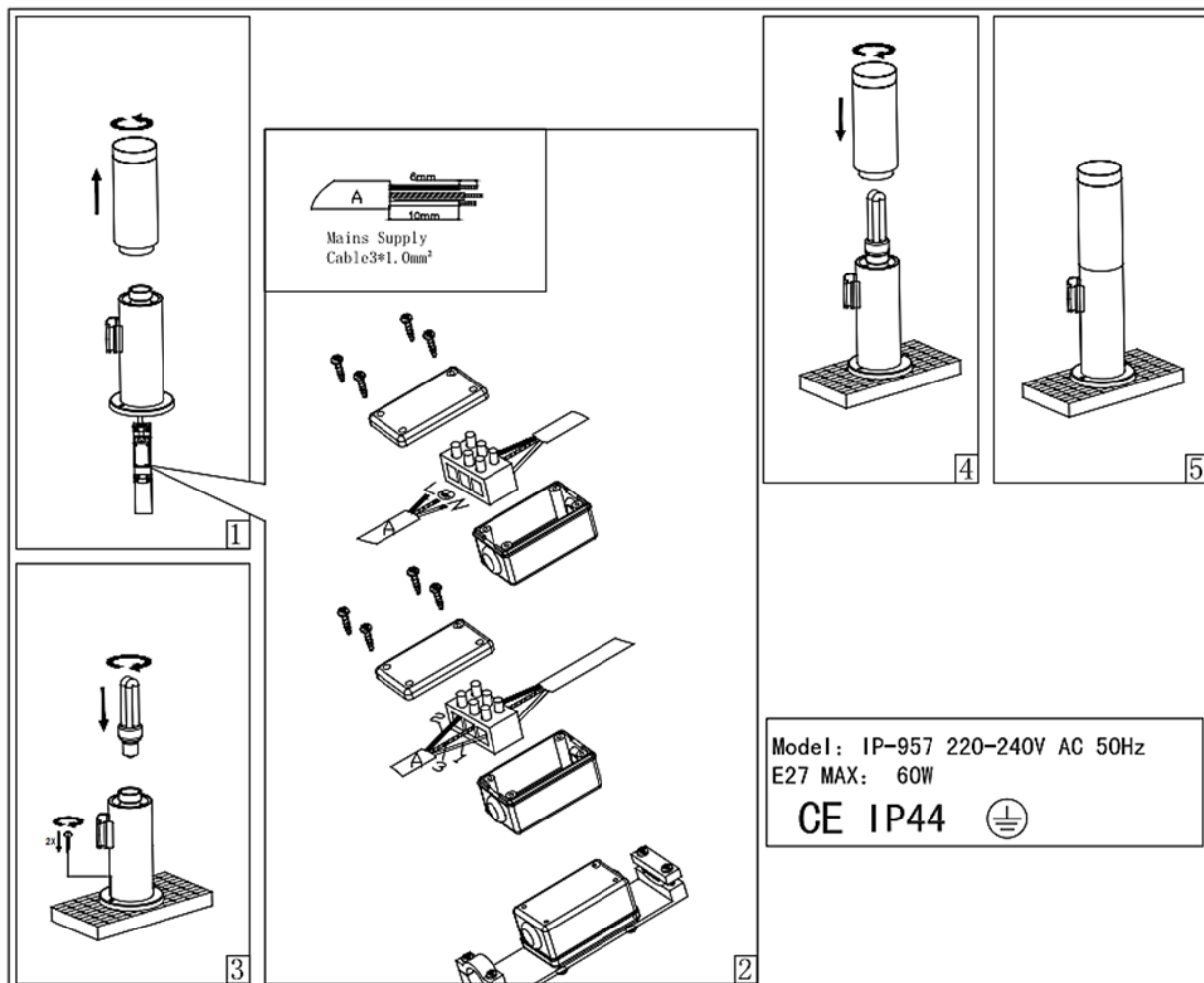
- Upon receipt of the product, ensure that no part is damaged or missing. Read the instructions and especially the safety instructions carefully before using the device.
- This product can only be connected to a protective contact socket that is earthed.
- The socket must be placed in a stable place and horizontally or vertically.
- Make sure that the socket outlet is not inserted into a recess; rain can cause the socket to stand in, which must be avoided at all means.
- The socket outlet must be installed at least 0.5 m from each water point.
- This socket is designed in such a way that it is protected against splashing water.
- If you want to relocate the socket, you must first disconnect it from the power supply before branching it off.
- If the housing of the product is damaged (e.g., by impacts) and the product can no longer meet the requirements of IP44, it must no longer be used.
- The socket may only be used in an upright position. If it is not upright any longer, you must check whether water has already penetrated the product before use. If water has got into the socket, it must not be used.

Technical specifications

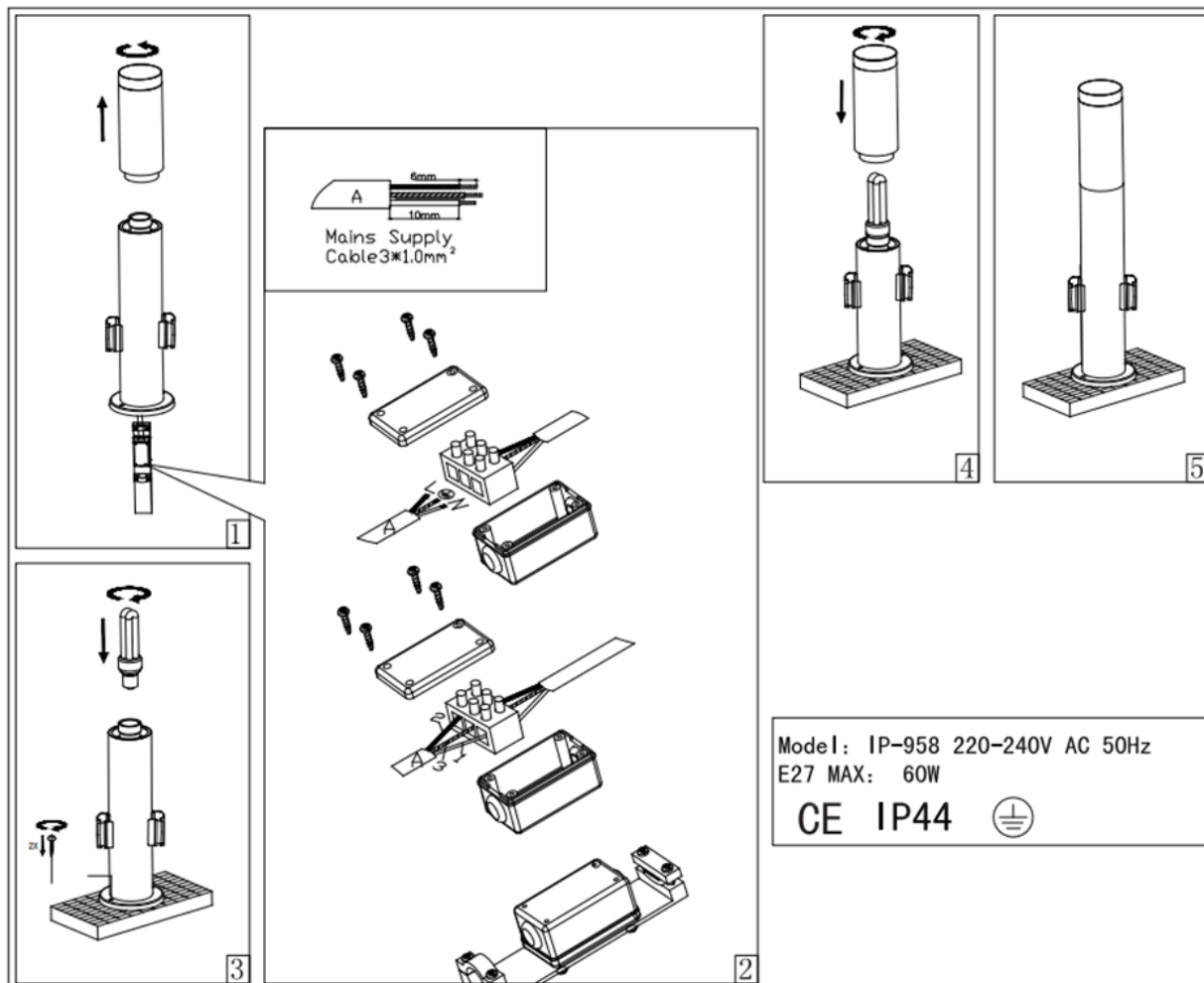
Voltage (V)	Frequency (Hz)	Cap type and wattage	IP Rating
220–240	50	E27 / max. 60 W	IP44

Figures concerning structure and mounting

Model no. 63290



Model no. 63291



Disposal regulations

EU guidelines regarding the disposal of scrap electric appliances (WEEE, 2012/19/EU) were implemented in the law related to electrical and electronic equipment and appliances.

All WiTec electric devices that fall under the WEEE regulations are labelled with the crossed-out wheeled waste bin logo. This logo indicates that this electric equipment must not be disposed with the domestic waste.

The company WiTec Technik GmbH has been registered in the German registry EAR under the WEEE-registration number DE45283704.

Disposal of used electrical and electronic appliances (intended for use in the countries of the European Union and other European countries with a separate collection system for these appliances).

The logo on the article or on its packaging points out that this article must not be treated as normal household waste but must be disposed to a recycling collection point for electronic and electrical waste equipment. By contributing to the correct disposal of this article you protect the environment and the health of your fellow men. Environment and health are threatened by inappropriate disposal.



Material recycling helps reduce the consumption of raw materials.

Additional information on recycling this article can be provided by your local community, municipal waste disposal facilities, or the store where you purchased the article.

Address:
WiTec Wildanger Technik GmbH
Königsbenden 12 / 28
D-52249 Eschweiler

Important notice:

The reprint or reproduction, even of excerpts, and any commercial use, even in part, of this instruction manual require the written permission of WiTec Wildanger Technik GmbH.