

Operation Manual

Motorcycle Stand

63296



Illustration similar, may vary depending on model

Read and follow the operating instructions and safety information before using for the first time.

Technical changes reserved!

Due to further developments, illustrations, functioning steps, and technical data can differ insignificantly.

Updating the documentation

If you have suggestions for improvement or have found any irregularities, please contact us.



The information contained in this document may alter at any time without previous notice. It is prohibited to copy or spread any parts of this document in any way without prior written allowance. All rights reserved.

The WilTec Wildanger Technik GmbH cannot be held accountable for any possible mistakes in this operating manual, nor in the diagrams and figures shown.

Even though, the WilTec Wildanger Technik GmbH has undergone biggest possible efforts to ensure that the operating manual is complete, faultless, and up to date, mistakes cannot be entirely avoided.

If you should find a mistake or wish to make a suggestion for improvement, we look forward to hearing from you.

Send an e-mail to:

service@wiltec.info

or use our contact form:

<https://www.wiltec.de/contacts/>

The most recent version of this manual in various languages can be found in our online shop via:

<https://www.wiltec.de/docsearch>

Our postal address is:

WilTec Wildanger Technik GmbH
Königsbenden 12
52249 Eschweiler
Germany

To return orders for exchange, repair, or other purposes, please use the following address. Attention! To allow for a smooth execution of your complaint or return, it is important to contact our customer service team before returning the goods.

Returns Department
WilTec Wildanger Technik GmbH
Königsbenden 28
52249 Eschweiler

E-mail: **service@wiltec.info**

Tel: +49 2403 55592-0

Fax: +49 2403 55592-15



Introduction

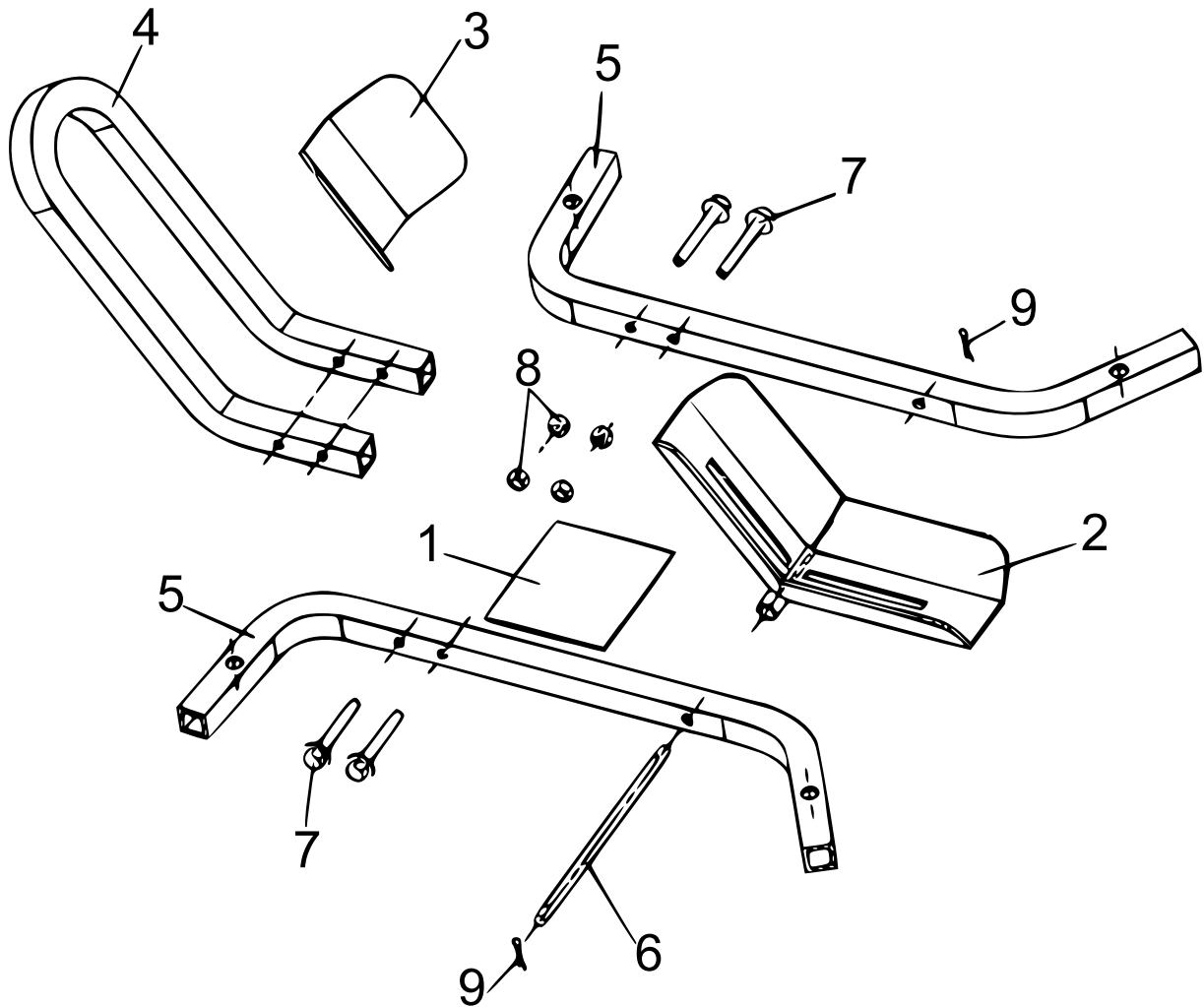
Thank you for purchasing this quality product. **To minimise the risk of injury we urge that our clients take some basic safety precautions when using this device. Please read the operation instructions carefully and make sure you have understood its content.**

Keep these operation instructions safe.

Safety instructions

- Only assemble the stand in accordance with these instructions. Improper assembly may result in hazards.
- Wear safety goggles, respiratory protection, and heavy-duty work gloves during assembly.
- Keep the assembly area clean and well lit.
- Keep uninvolved persons away from the area during assembly.
- Do not assemble when tired or under the influence of alcohol, drugs, or medicine.
- Weight capacity and other product characteristics apply only to properly and fully assembled products.
- Read, understand, and follow all instructions before operating the equipment.
- Use only on hard, level surfaces.
- Secure the wheel chock and strap the motorcycle down before transporting it.
- Keep your distance from the stand/wedge and wheel when loading and unloading.
- Load and unload wheel slowly.
- Use only for motorcycle tires.
- Adjust to tire size before use.
- Also use the side stand if available.
- Do not ride the motorcycle on the stand.
- Do not sit on the motorcycle when it is loaded on the stand.
- Inspect the stand before each use. Do not use it if any parts are loose or damaged.
- The warnings, precautions and instructions described in this manual cannot cover all possible conditions and situations that may occur. Always use the product with foresight and caution.

Exploded view and parts list



No	Name
1	Base plate
2	Wheel adapter
3	Wheel mount
4	Wheel mount support
5	Base rail
6	Pin
7	Bolt
8	Nuts
9	Cotter pin

Important notice:

The reprint or reproduction, even of excerpts, and any commercial use, even in part, of this instruction manual require the written permission of WilTec Wildanger Technik GmbH.