

Operation Manual

Steering-head Assembly Stand

63297



Illustration similar, may vary depending on model

Read and follow the operating instructions and safety information before using for the first time.

Technical changes reserved!

Due to further developments, illustrations, functioning steps, and technical data can differ insignificantly.

Updating the documentation

If you have suggestions for improvement or have found any irregularities, please contact us.



The information contained in this document may alter at any time without previous notice. It is prohibited to copy or spread any parts of this document in any way without prior written allowance. All rights reserved.

The WilTec Wildanger Technik GmbH cannot be held accountable for any possible mistakes in this operating manual, nor in the diagrams and figures shown.

Even though, the WilTec Wildanger Technik GmbH has undergone biggest possible efforts to ensure that the operating manual is complete, faultless, and up to date, mistakes cannot be entirely avoided.

If you should find a mistake or wish to make a suggestion for improvement, we look forward to hearing from you.

Send an e-mail to:

service@wiltec.info

or use our contact form:

<https://www.wiltec.de/contacts/>

The most recent version of this manual in various languages can be found in our online shop via:

<https://www.wiltec.de/docsearch>

Our postal address is:

WilTec Wildanger Technik GmbH
Königsbenden 12
52249 Eschweiler
Germany

To return orders for exchange, repair, or other purposes, please use the following address. Attention! To allow for a smooth execution of your complaint or return, it is important to contact our customer service team before returning the goods.

Returns Department
WilTec Wildanger Technik GmbH
Königsbenden 28
52249 Eschweiler

E-mail: **service@wiltec.info**

Tel: +49 2403 55592-0

Fax: +49 2403 55592-15



Introduction

Thank you for purchasing this quality product. **To minimise the risk of injury we urge that our clients take some basic safety precautions when using this device. Please read the operation instructions carefully and make sure you have understood its content.**

Keep these operation instructions safe.

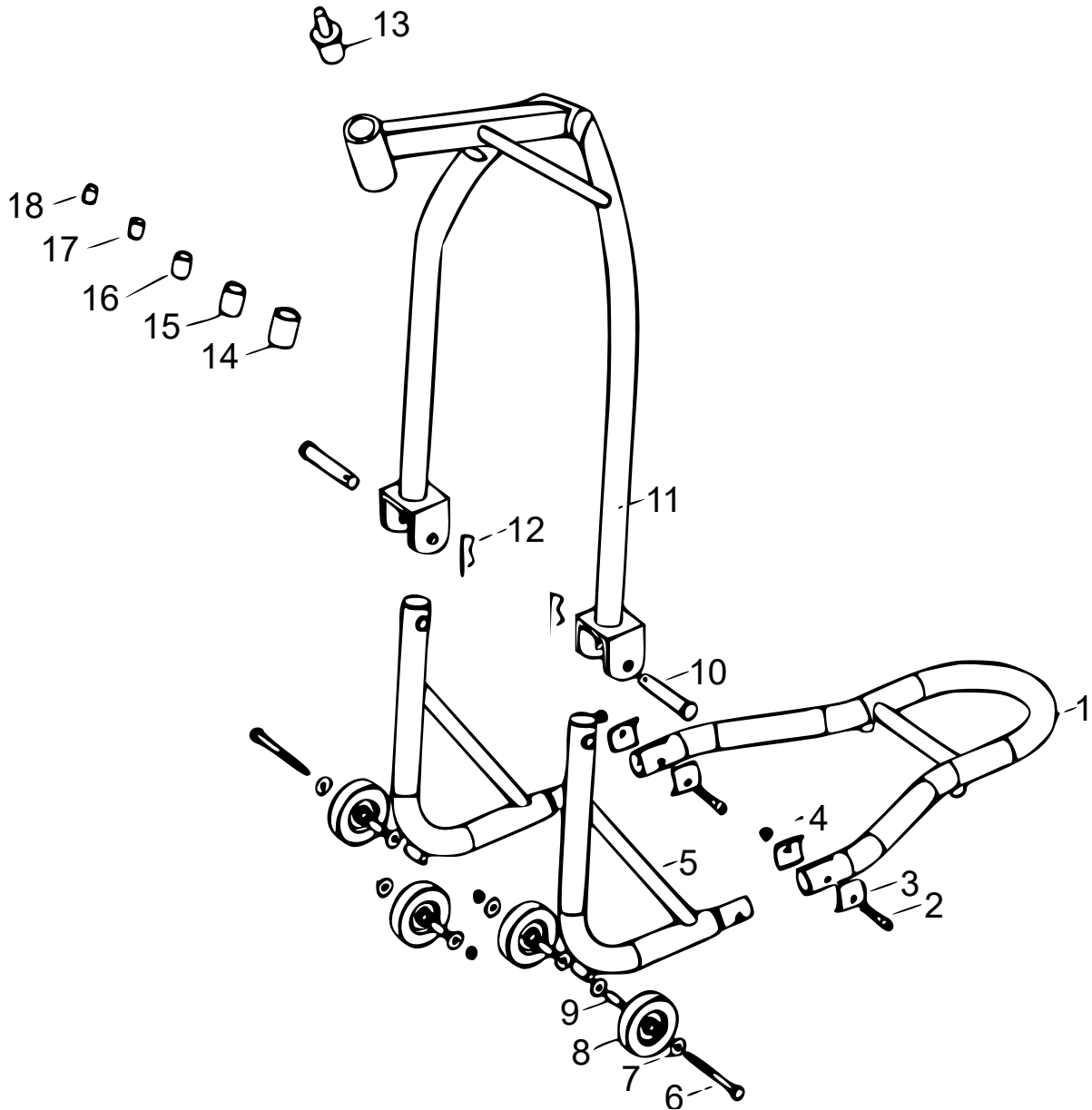
Safety instructions

- Only carry out the assembly in accordance with these instructions. Improper assembly can lead to dangerous situations.
- Wear safety goggles, a dust mask that protects your respiratory tract, and robust work gloves during assembly.
- Keep your work area clean and provide good lighting.
- Keep bystanders away from your work area during assembly.
- Do not assemble the stand if you are tired or under the influence of alcohol, drugs, or medicine.
- The maximum load indicated and the product characteristics apply only to a correctly and fully assembled product.
- Only use the unit on a hard, level surface.
- Secure the motorbike before transport using wedges and straps.
- Keep a safe distance from the rack, wedges, and motorbike when loading and unloading.
- Load and unload the motorbike at low speed.
- Only use the device for motorbike wheels. The device is not suitable for aircrafts.
- Determine the size of the wheels before use.
- In addition, attach the side stand if available.
- Do not ride the motorbike on the assembly stand.
- Do not remain seated on the motorbike while loading.
- Check the stand before each use. Do not use it if any parts are loose or damaged.
- The warnings, precautions, and instructions in this manual cannot cover all possible conditions and situations. Always use the unit with foresight and with the greatest possible caution.

Operation

The front triple tree pin is placed inside the centre of the stem/triple tree; push down to lift the motorcycle.

Exploded view and parts list



Nº	Name	Qty	Nº	Name	Qty
1	Handle	1	8	Wheel	4
2	Screw	2	9	Small pipe	4
3	Curved washer	4	10	Pin	2
4	Nut	4	11	Support frame	1
5	Bracket	2	12	Bolt	2
6	Screw	2	13	Support head	1
7	Gasket	4	14-18	Adapter	5

Important notice:

The reprint or reproduction, even of excerpts, and any commercial use, even in part, of this instruction manual require the written permission of WilTec Wildanger Technik GmbH.