

User's manual

6-level Metal Shelf

63425



Illustration similar, may vary depending on model

Read and follow the operating instructions and safety information before using for the first time.

Technical changes reserved!

Illustrations, functional steps, and technical data may deviate insignificantly due to continuous further developments.

Updating the documentation

If you have suggestions for improvement or have found any irregularities, please contact us.



The information contained in this document may alter at any time without prior notice. No part of this document may be copied or otherwise duplicated without prior written consent. All rights reserved. WilTec Wildanger Technik GmbH cannot be held liable for any possible mistakes in this operating manual, nor in the diagrams and illustrations shown.

Although WilTec Wildanger Technik GmbH has made every possible effort to ensure that this operating manual is complete, accurate, and up-to-date, errors cannot be ruled out entirely.

If you have found an error or wish to suggest an improvement, we look forward to hearing from you. Send us an e-mail to:

service@wiltec.info

or use our contact form:

<https://www.wiltec.de/contacts/>

The most recent version of this manual in several languages can be found in our online shop:

<https://www.wiltec.de/docsearch>

Our postal address is:

WilTec Wildanger Technik GmbH
Königsbenden 12
52249 Eschweiler – Germany

To return your goods for exchange, repair, or other purposes, please use the following address. Attention! To allow for a trouble-free complaint or return, it is important to contact our customer service team before returning your goods.

Retourenabteilung
WilTec Wildanger Technik GmbH
Königsbenden 28
52249 Eschweiler – Germany

E-mail: **service@wiltec.info**

Tel: +49 2403 55592-0

Fax: +49 2403 55592-15

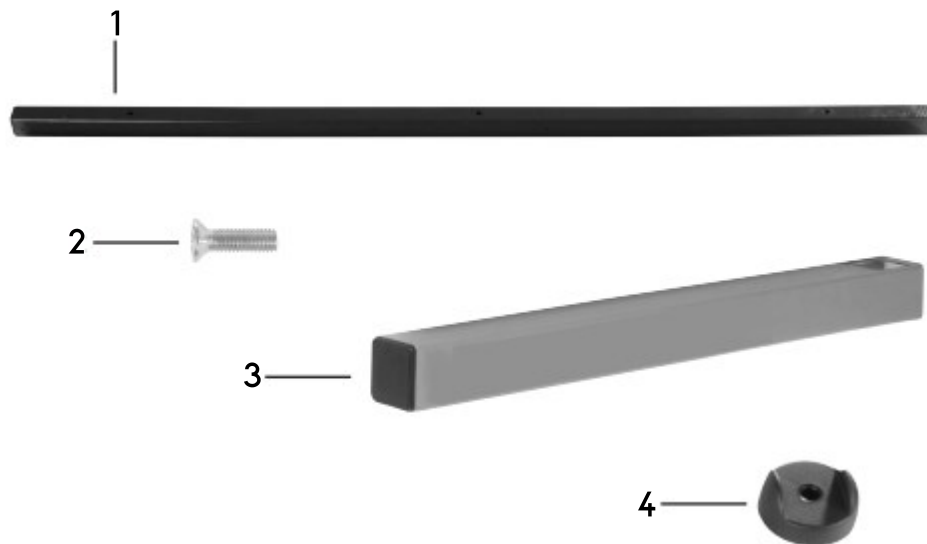
Introduction

Thank you for choosing to purchase this quality product. To minimise the risk of injury, we ask you to always take some basic safety precautions when using this product. Please read this operating manual carefully and make sure that you understand it. Keep these operation instructions in a safe place.

Safety instructions

- This product is made for the storage of long wooden goods. Any other use as well as any modification of the product is to be considered as inadmissible, bearing the risk of damages and/or injuries. No responsibility is accepted for damage caused by improper use or modification.
- The product is not intended for commercial use.
- After delivery, check the parts for completeness and intactness. Do not assemble the product if parts are missing or damaged.
- Keep children away during assembly.
- Make sure to assemble the shelf correctly. Any incorrect assemble will increase the risk of accidents and injuries. Regularly check the safe and firm connection of the individual pieces.
- Never leave children unattended. The shelf is neither a climbing frame nor a play structure! Make sure that nobody (children in particular) places or pulls himself or herself onto the shelf or climbs onto it.
- Do not install the shelf near open flames; do not place flammable objects such as candles near it.

Parts list

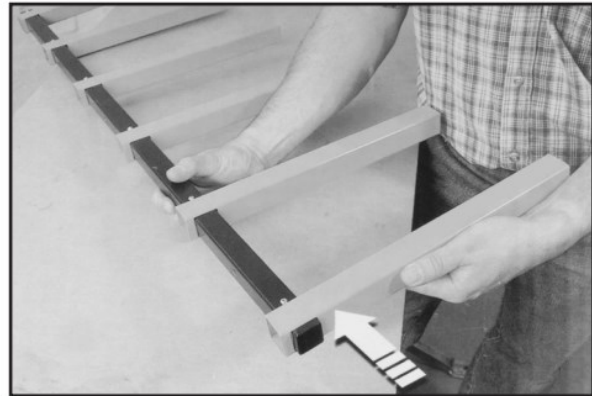
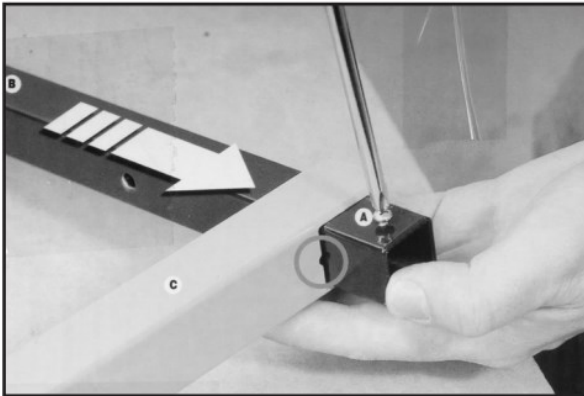


No	Name	Quantity
1	Bracket	2
2	Screw	12
3	Shelf arm	12
4	Spacer	6

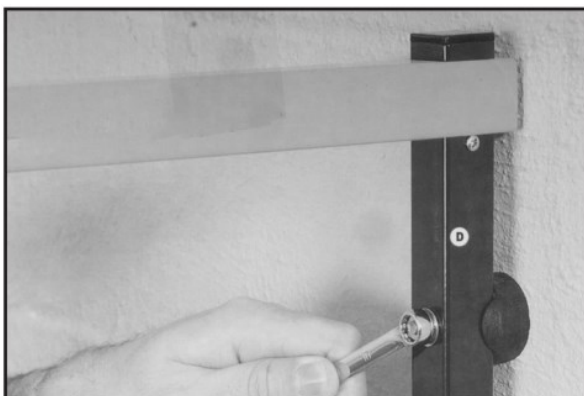
Assembly

1. There is a small screw hole (13 mm) at the underside of the bracket **(1)**. Turn a screw **(2)** into this hole, then set a shelf arm **(3)** into the bracket so that it sits firmly on the screw. The notched side of the bracket (fig. 1, circle) must point downwards.
2. Tighten a screw in the next hole, then slide another shelf arm in place (fig. 2). Continue like this until all shelf arms have been mounted. If you wish the arms to be in different locations, drill additional 2.5-mm holes. Repeat the first and second step (fig. 1 and 2) for the rest of the brackets and arms.
3. Determine a solid mounting spot, making sure that mounting is made to a structural element. Place the brackets in a distance of 1200 mm to 1800 mm. For storage of very long goods, use additional shelves.
4. Attach the spacers **(4)** before the mounting holes (fig. 3) and fix them to the wall with the fixing elements recommended (not included) as shown.

Steps 1 and 2



Steps 3 and 4



Steps 5 and 6



Fixation to brickwork

Use 6-mm brickwork anchors ($\frac{1}{4}$ ") appropriate for a thickness of 30–40 mm ($\frac{1}{4}$ "– $\frac{1}{2}$ ").

Fixation to wood

Use 5.5-mm hexagon-head woodscrews ($\frac{1}{4}$ "), at least 65 mm long ($2\frac{1}{2}$ "). If necessary, attach additional vertical supports. — Outdoor use: To protect the shelf as well as the goods stored on it against the weather, attach plastic film to battens, then fix these battens above the uppermost shelf level.

Fixation to a metal shed

Make sure that the shelf is fixed to structural elements – if these are made of steel, use at least 6-mm screws ($\frac{1}{4}$ "); if made of wood, see “Fixation to wood.” In the absence of appropriate structural elements, attach additional supports going from the floor to the ceiling; screw them at distances of 300 mm to the steel sheet.

Important note:

Reproduction and any commercial use (of parts) of this operating manual, requires a written permission of WilTec Wildanger Technik GmbH.