

Operating instructions

Parcel Letter Box

63451, 64259, 64851

wiltec



Illustration similar, may vary depending on model

Please read and follow the operating instructions and safety information prior to initial operation.

Technical changes reserved!

Illustrations, functional steps, and technical data may deviate insignificantly due to continuous further developments.



The information contained in this document may alter at any time without prior notice. No part of this document may be copied or otherwise duplicated without prior written consent. All rights reserved.

WilTec Wildanger Technik GmbH cannot be held liable for any possible mistakes in this operating manual, nor in the diagrams and illustrations shown.

Although WilTec Wildanger Technik GmbH has made every possible effort to ensure that this operating manual is complete, accurate, and up-to-date, errors cannot be ruled out entirely.

If you have found an error or wish to suggest an improvement, we look forward to hearing from you.

Send us an e-mail to:

service@wiltec.info

or use our contact form:

<https://www.wiltec.de/contacts/>

The most recent version of this manual in several languages can be found in our online shop:

<https://www.wiltec.de/docsearch>

Our postal address is:

WilTec Wildanger Technik GmbH
Königsbenden 12
52249 Eschweiler – Germany

To return your goods for exchange, repair, or other purposes, please use the following address. Attention! To allow for a trouble-free complaint or return, it is important to contact our customer service team before returning your goods.

Retourenabteilung
WilTec Wildanger Technik GmbH
Königsbenden 28
52249 Eschweiler – Germany

E-mail: **service@wiltec.info**

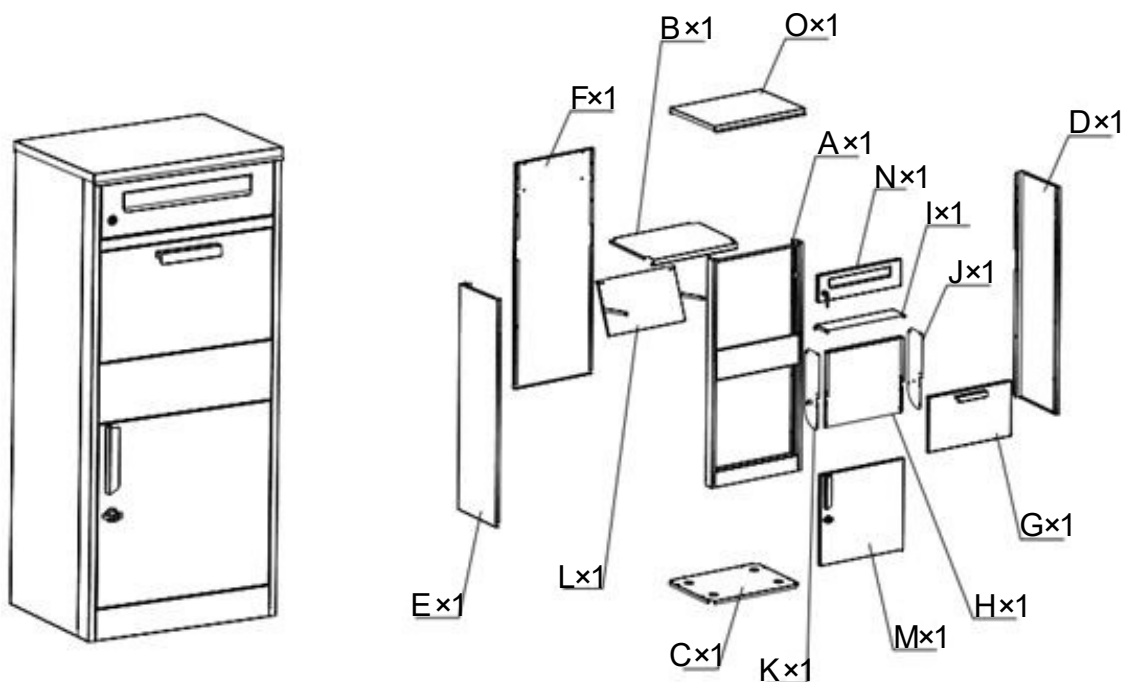
Tel: +49 2403 55592-0

Fax: +49 2403 55592-15

Introduction

Thank you for choosing to purchase this quality product. To minimise the risk of injury, we ask you to always take some basic safety precautions when using this product. Please read this operating manual carefully and make sure that you understand it. Keep these operation instructions in a safe place.

Assembly instructions



A×1 	B×1 	C×1 	D×1 	E×1
F×1 	G×1 	H×1 	I×1 	J×1
K×1 	L×1 	M×1 	N×1 	O×1
P×1 	Q×1 	R×32 	T×8 	W×1
		S×4 	V×4 	

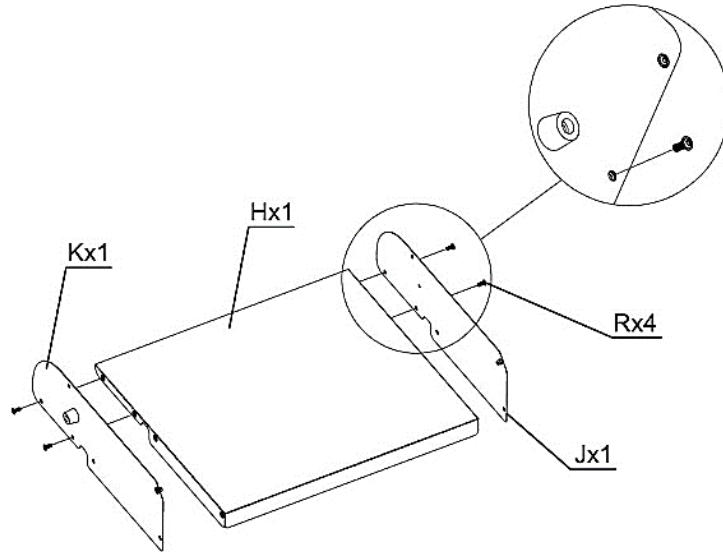


Figure 1

Do not tighten the screws completely yet. Tighten them after all screws have been set in.

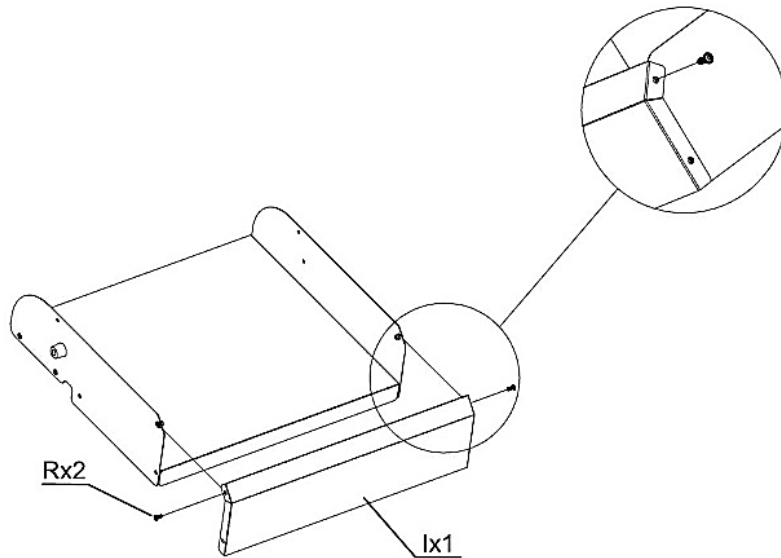


Figure 2

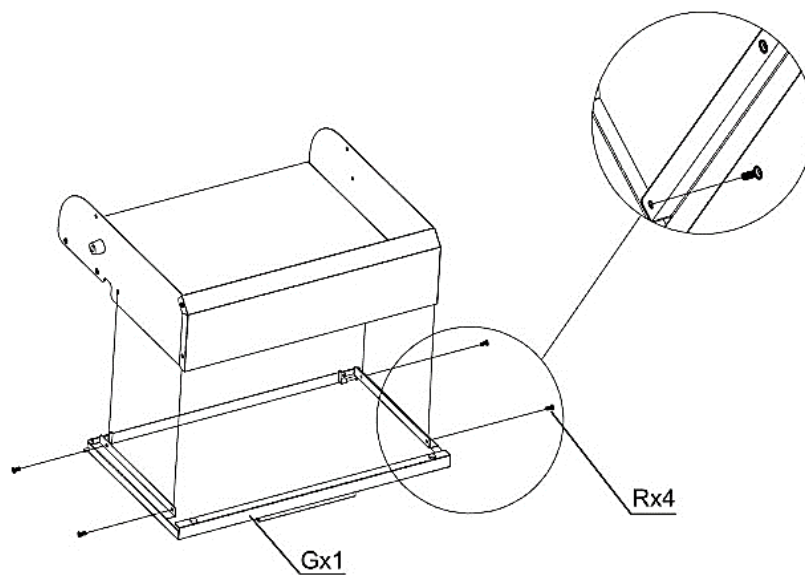


Figure 3

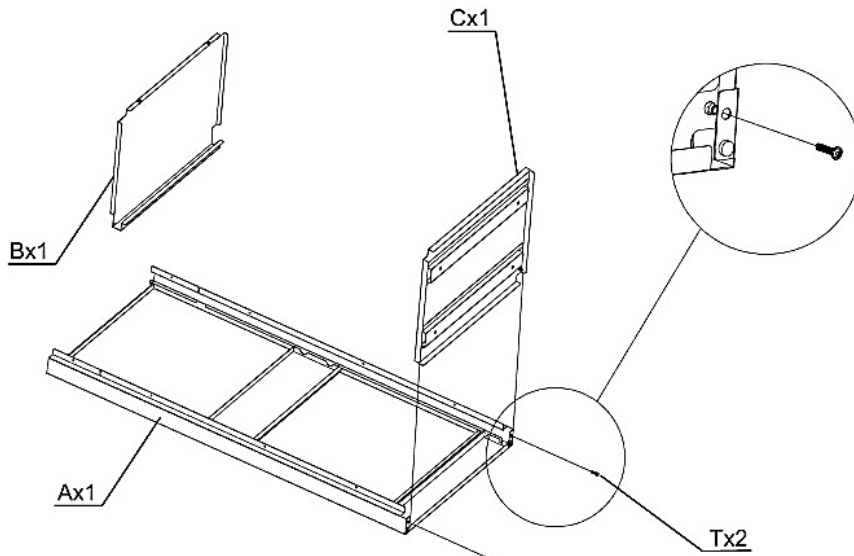


Figure 4

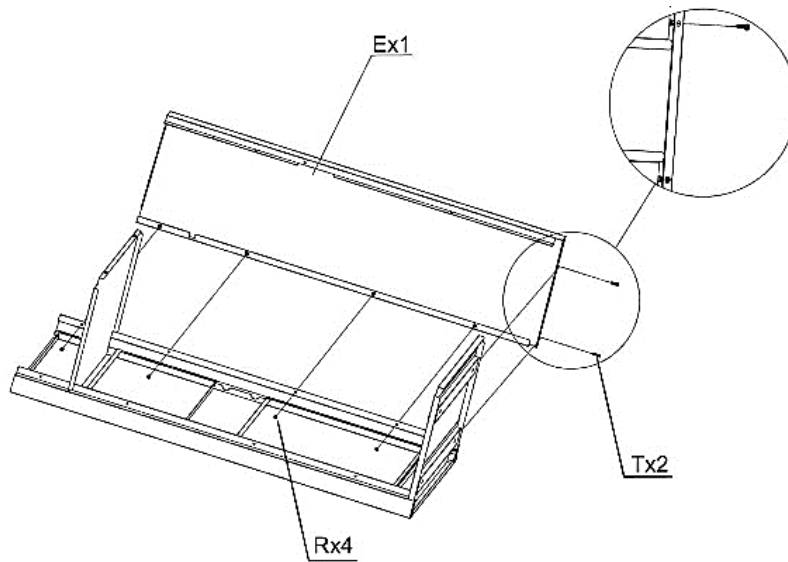


Figure 5

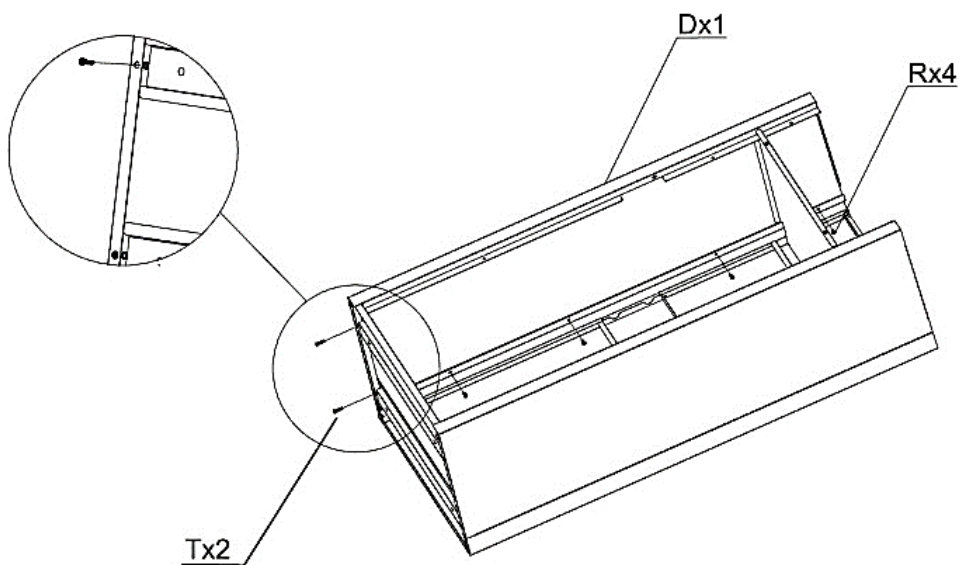


Figure 6

Do not tighten the screws completely yet. Tighten them after all screws have been set in.

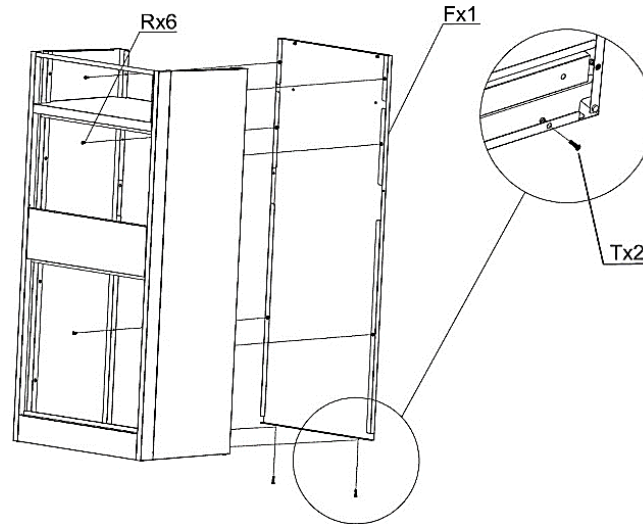


Figure 7

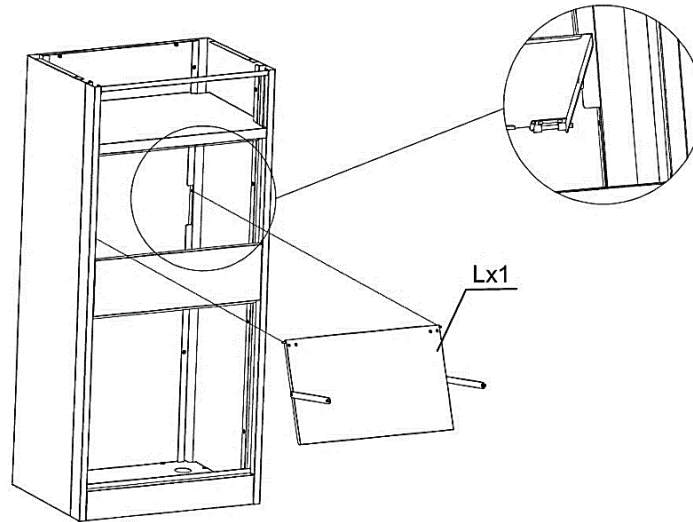


Figure 8

First set the right side of the locking bar into the hole of the rear wall. When installing the left side, you can first pull the lever of the spring catch. After aligning, let the lever go. Installation is complete.

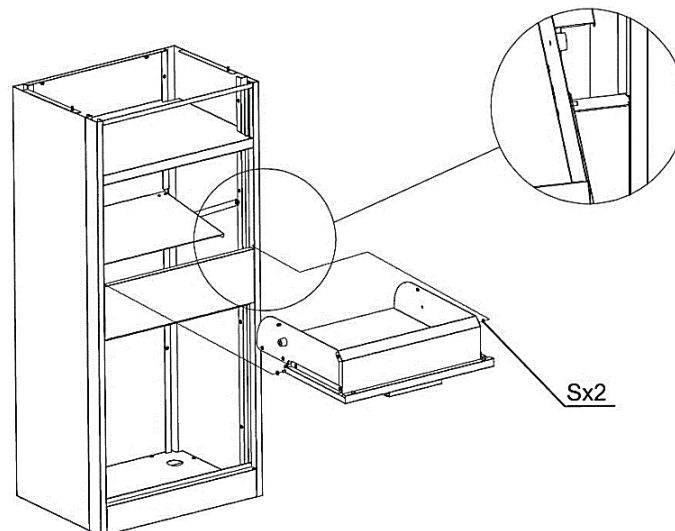


Figure 9

When installing the lower door leaf, the upper door leaf can be tilted for making this step easier. First install the right side, then the left side.

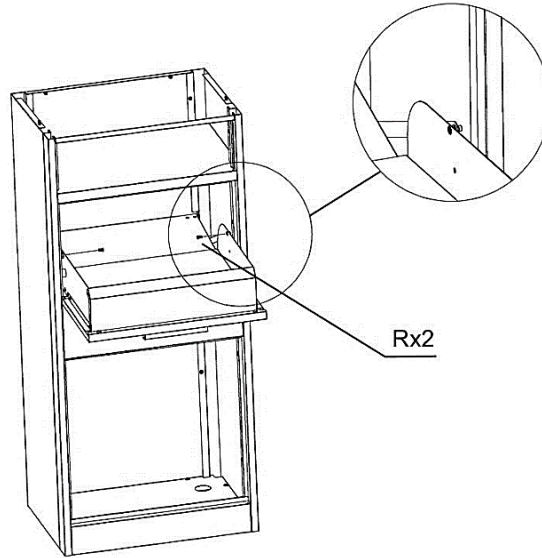


Figure 10

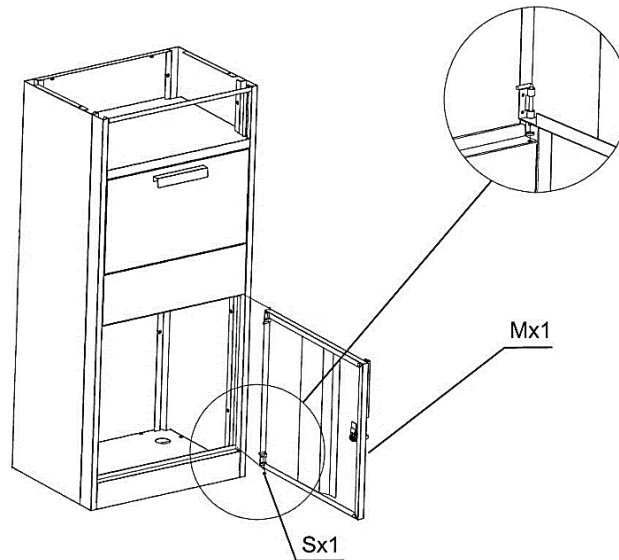


Figure 11

When mounting the lower door, this is set in first with the upper hinge, then with the lower hinge.

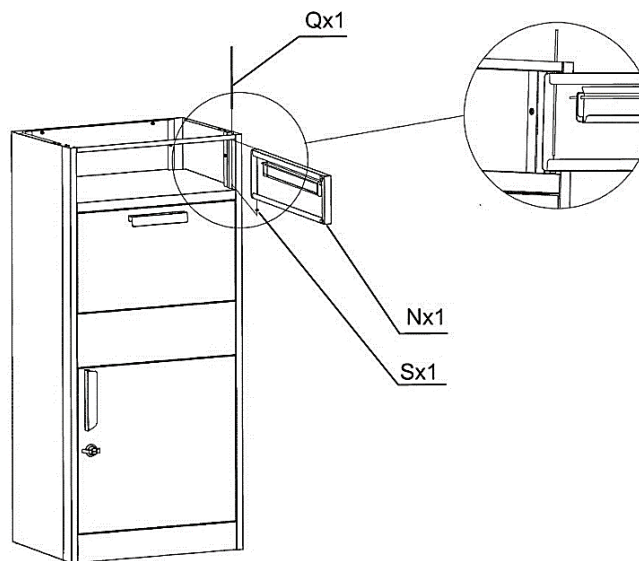


Figure 12

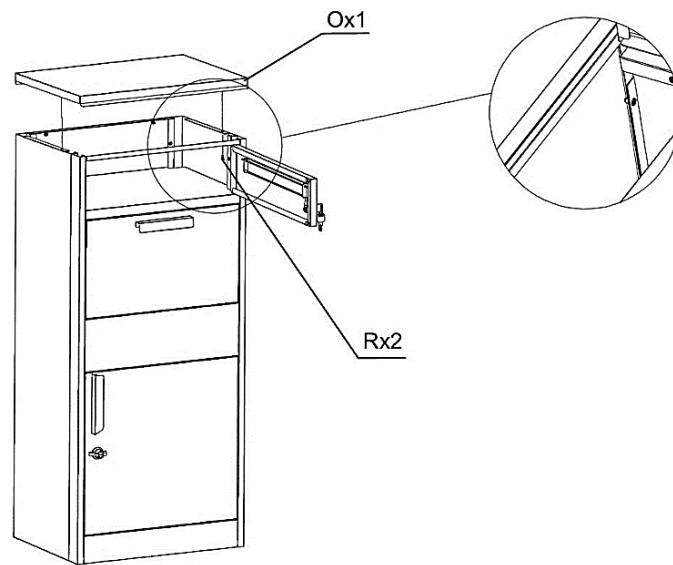


Figure 13

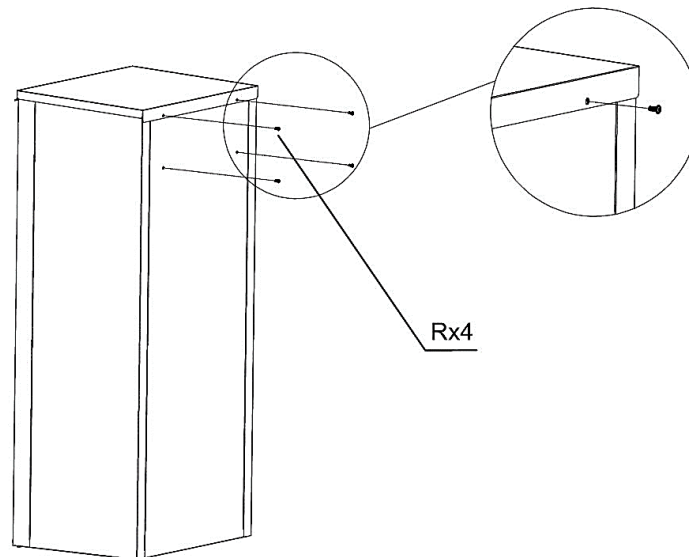


Figure 14

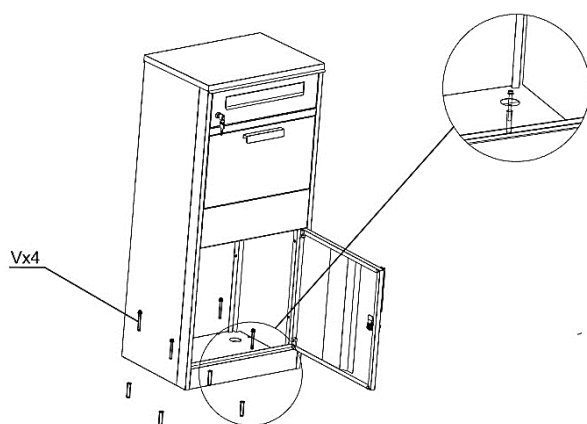


Figure 15

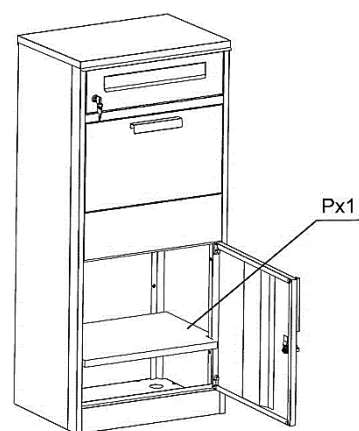


Figure 16

Important note:

Reproduction and any commercial use (of parts) of this operating manual, requires a written permission of WilTec Wildanger Technik GmbH.