

Operation Manual

Water Purifier NW-1000

63452



Illustration similar, may vary depending on model

Read and follow the operating instructions and safety information before using for the first time.

Technical changes reserved!

Due to further developments, illustrations, functioning steps, and technical data can differ insignificantly.

Updating the documentation

If you have suggestions for improvement or have found any irregularities, please contact us.



The information contained in this document may alter at any time without previous notice. It is prohibited to copy or spread any parts of this document in any way without prior written allowance. All rights reserved.

The WilTec Wildanger Technik GmbH cannot be held accountable for any possible mistakes in this operating manual, nor in the diagrams and figures shown.

Even though, the WilTec Wildanger Technik GmbH has undergone biggest possible efforts to ensure that the operating manual is complete, faultless, and up to date, mistakes cannot be entirely avoided.

If you should find a mistake or wish to make a suggestion for improvement, we look forward to hearing from you.

Send an e-mail to:

service@wiltec.info

or use our contact form:

<https://www.wiltec.de/contacts/>

The most recent version of this manual in various languages can be found in our online shop via:

<https://www.wiltec.de/docsearch>

Our postal address is:

WilTec Wildanger Technik GmbH
Königsbenden 12
52249 Eschweiler
Germany

To return orders for exchange, repair, or other purposes, please use the following address. Attention! To allow for a smooth execution of your complaint or return, it is important to contact our customer service team before returning the goods.

Returns Department
WilTec Wildanger Technik GmbH
Königsbenden 28
52249 Eschweiler

E-mail: **service@wiltec.info**

Tel: +49 2403 55592-0

Fax: +49 2403 55592-15



Introduction

Thank you for purchasing this quality product. **To minimise the risk of injury we urge that our clients take some basic safety precautions when using this device. Please read the operation instructions carefully and make sure you have understood its content.**

Keep these operation instructions safe.

Product information

- This machine is designed with reverse osmosis (RO) filter technology, rare thick film heating technology, patented colour screen technology, and other new technologies.
- It can effectively filter out pollutants in water and ensure the quality and safety of water. At the same time, it can enrich the minerals useful for the human body and provide you with healthy water every day.
- The product is equipped with 3 s quick heating, separation of raw, clean, and waste water, integrated water path structure, and scald-proof children safety. This makes it easier, safer, and more convenient for you to use.
- The unit can be placed in the living room, bedroom, office, and other locations. With plug-and-play design, it is the best choice for safe and healthy washing.

Safety instructions

- Do not clean the housing in water.
- Do not use universal sockets and other electrical devices at the same time. Only use sockets with at least 10 A fuse protection.
- Do not place the water container hanging down. Place it on a tabletop.
- Do not fill cloudy tap water, ice cubes, or other mixed liquids such as milk and fruit juice into the water tank.
- Do not insert the water spout into the rim of the tank when drawing off water to avoid the risk of boiling water clogging the spout.
- The device can be used by children aged from 8 years and above and persons with physical, sensory, or mental disabilities or lack of experience and knowledge if they have been given supervision or instruction concerning use of the device in a safe way and understand the dangers involved. No child may clean or service the machine without supervision.
- If the power cable is damaged, the device must no longer be used. Have the defective power cable replaced by a qualified electrician before using the device for the first time.
- Do not use the device if the water temperature or the ambient temperature is below 4 °C or above 38 °C.
- If you draw off low-temperature water immediately after drawing off high-temperature water, the temperature of the fresh water may be high; take care to avoid scalding.
- To avoid dangers, place the device on a flat tabletop. (The inclination of the tabletop should not be greater than 10°.)
- Before delivery from the factory, the entire machine is filled with water for inspection, so it is normal that there is some residual water inside the machine.

Hygiene instructions

- Incorrect installation, operation, or non-compliance with the hygiene regulations can be harmful to your health. Follow all the hygiene instructions in this manual.
- Always ensure sufficient hygiene at the installation site.
- Always observe the cleaning intervals and the regular replacement of the filter element.
- If the unit is not used for more than 3 days, bacteria can form. Flush the system for at least 5 min before using the unit again as usual.
- Do not use the unit without sufficient disinfection if the water is microbiologically contaminated or of unknown quality.

- Avoid direct contact with the outlet tap.

Notes on the filter element

- Improper operation can damage components.
- Never expose the filter cartridge to direct sunlight, open fire, radiators, or similar.
- Avoid mechanical damage.
- Do not open the filter system and the water filter element during operation.
- If the raw water does not meet the standard of municipal tap water (including excessive sludge content and TDS), the life of the filter element may be shortened.

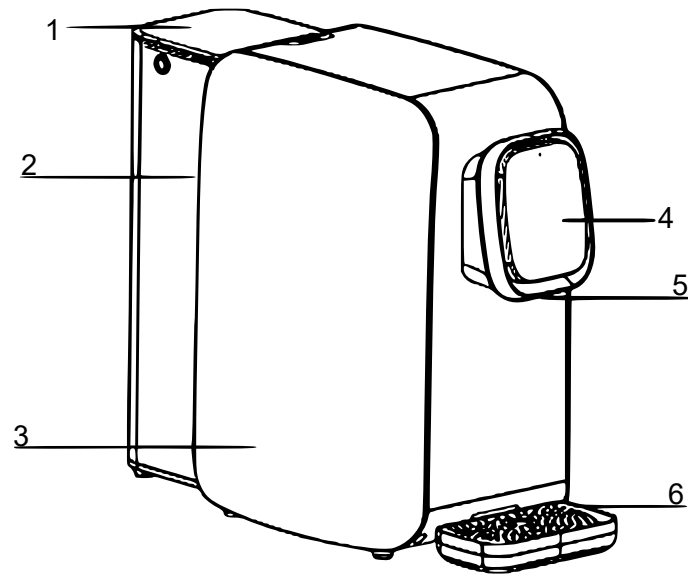
Technical Data

Item model	NW-1000
Power supply	220 V / 50 Hz
Rated power (W)	2200
Rated heating power (W)	2200
Water heating capacity ($\frac{l}{h}$)	18 (≥ 90 °C)
Water production flow ($\frac{l}{h}$)	7.8
Working pressure (bar)	4–8
Applicable water source	City water
Applicable water temperature (°C)	4–38
Dimensions (mm)	450 × 200 × 387

Function of the filter element

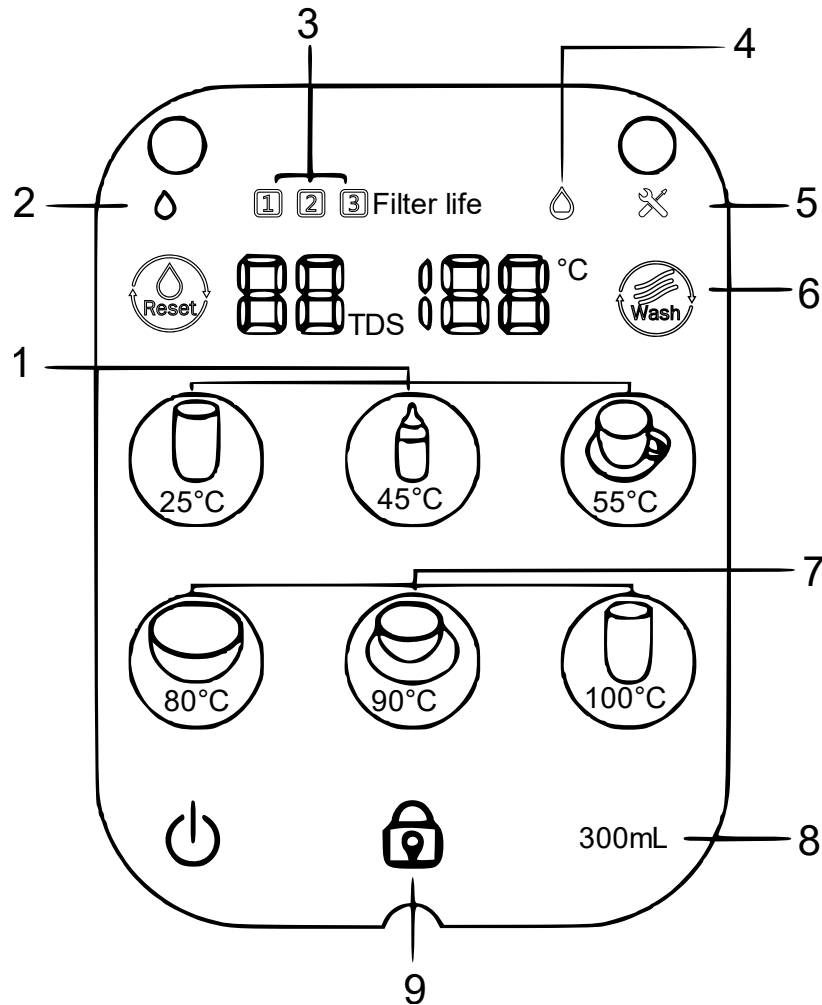
Filter element	Type of filter element	Function	Recommended replacement period (months)
RO	Reverse osmosis filter element	<ul style="list-style-type: none"> • Filter accuracy of 0.0001 μm. • Removal of deposits and heavy metals 	12–24
PAC	PP sediment filter with cotton activated carbon rod	<ul style="list-style-type: none"> • Removal of impurities such as sludge, rust, sand, suspended matter, etc. • Removal of residual chlorine and absorption of unpleasant tastes and odours. 	6–12
CF	Activated carbon filter with Gourmet cartridge	Improving the taste of water	6–12

Main components



Nº	Name	Nº	Name
1	Water tank cover	4	Control panel
2	Water tank	5	Effluent nozzle
3	Housing	6	Drip tray

Control panel




Nr.	Bezeichnung
1	Select the desired water temperature to receive the water.
2	<ul style="list-style-type: none"> • A flashing indicator light means that water is being produced, but it cannot be dispensed. • If the indicator light is on continuously, it means that water is being produced and can also be dispensed. • When the indicator light goes out, it means that water production has stopped.
3	Replace the filter element when the orange indicator lights up.
4	Add water.
5	Service and maintenance. Refer to the manual for this.
6	Replace the filter element when using for the first time or when it has not been used for a long time.
7	Unlock and then select the water temperature to obtain the water
8	First press the water quantity button, then press directly on the low temperature zone to obtain water. In the high temperature zone, press the unlock button first, then the high temperature zone to get water.
9	Press the release button for hot water



Guide to operation

First use

1. Place the device on a table, cupboard, or flat surface.
2. Remove the water tank and add tap water to the highest MAX water level. Then replace the tank on the device.
3. Connect the device to the power supply.
4. The device automatically flushes the filter system and the piping for 2 min.
5. After rinsing, the water in the tank should be drained to fill it with tap water.
6. The device automatically starts water treatment. After the treatment is finished, it can be used normally (the water must be changed once in the whole treatment process to fill up the internal water tank).
7. To obtain excellent water quality, it is recommended to press and hold the  (rinse) button for 3 s to rinse manually. Repeat this 3 times.

Daily use

The product supports 6 types of water temperature for selection. Water can be taken directly by pressing the “25°C”, “45°C”, and “55°C” buttons. The other 3 temperature buttons can be pressed to get water after the unlock button has been pressed.

Notice! Pressing any temperature key during water withdrawal stops the water dispensing.

Caution!

- This machine is equipped with a quantitative water outlet protection. If the amount of water exceeds 500 ml, the water outlet will stop automatically.
- When taking out hot water, do not reach your hand under the water outlet. **Risk of scalding!**
- When you switch on the device for the first time to draw off hot water, first put in some room temperature water and then the hot water. **Risk of scalding!**
- Unlock button: Lock when no water comes out.

Water change

If the “Low water” indicator lights up, it means that there is not enough water in the raw water tank. Pour out the water in the raw water tank and replace it with tap water.

Idle state

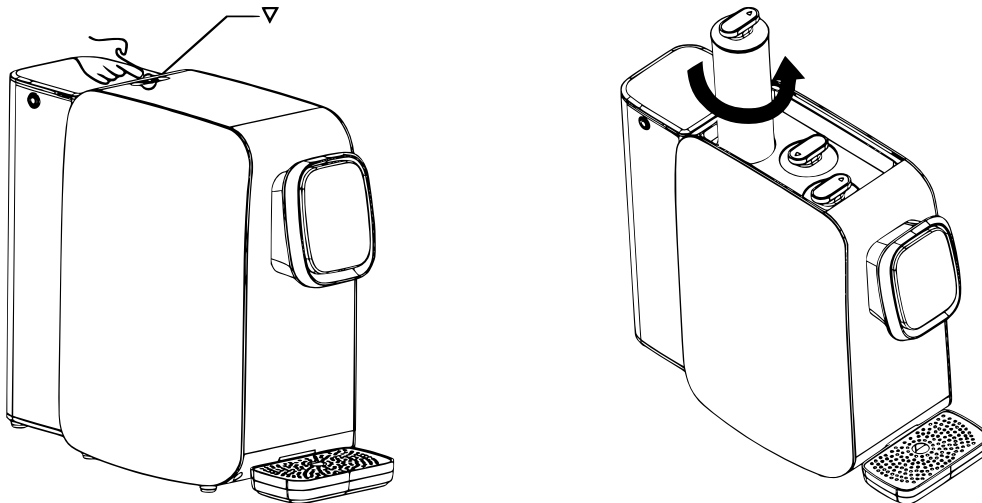
If no water draw-off button is pressed within 1 hour after the last water production, the machine will automatically go into sleep mode to save power. When any water-temperature button is touched, the machine is activated and then goes into standby mode.

Replacing the filter element

When the operating time of the filter element is only 20 %, the indicator light flashes orange and indicates that the filter element must be replaced.

Step 1

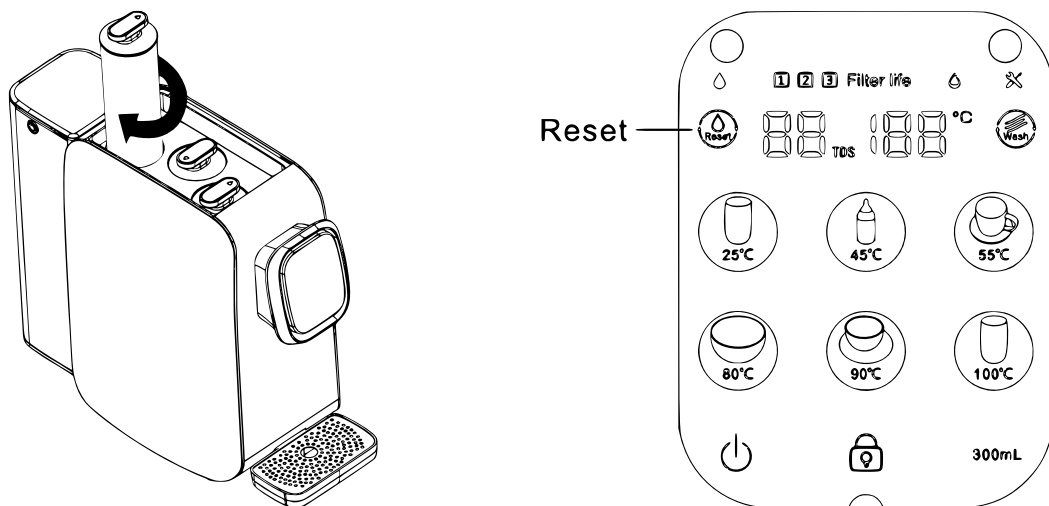
Disconnect the power supply and remove the old filter element.



1. Press the button to open the top cover of the device automatically.
2. Turn the filter element anticlockwise and take it out upwards.

Step 2

Install the new filter element.



1. Insert the new filter element and turn it clockwise to tighten it.
2. Press and hold "Reset," then select "Reset" to select the appropriate filter element. Press and hold the "Reset" button for another 3 s to complete the reset.

Note! The original filter element must be used for replacement to ensure the safety of the drinking water.

Troubleshooting table

If your unit has a malfunction, first read the help information in the following table. If the problem cannot be solved, please contact a qualified specialist.

Problem	Possible causes and suggested solutions
Device cannot produce water	<ol style="list-style-type: none"> 1. Check if the raw water tank contains water. 2. Check if the filter insert is clogged with too much dirt.
Water flow is too low	Check if the filter element is too dirty or has been used beyond its service life.
Water does not taste good	<ol style="list-style-type: none"> 1. Check that the filter element has not been replaced at the end of its service life. 2. Check that the parts of the machine have not been dismantled without authorisation. 3. Check if the parts at the extraction point are not screwed tightly, displaced, or shifted. 4. Check if the silicone sealing ring at the extraction point is worn or damaged.
Leakage currents and induced electricity in the device housing	The machine is insufficiently earthed.
Unit cannot heat up	<ol style="list-style-type: none"> 1. Check that the device is switched on. 2. The thermostat protection on the radiator cannot be reset.

Error messages

Code	Reason	Processing mode
E1	The machine stops after producing water continuously for 90 min and the water has not been refilled. The malfunction indicator lights up, showing "E1."	Check for leaks
E5	If the inlet water temperature is between 0–1 °C, the error indicator lights up, showing "E5."	Use water with a temperature of 4–38 °C.

Disposal regulations

EU guidelines regarding the disposal of scrap electric devices (WEEE, 2012/19/EU) were implemented in the law related to electrical and electronic equipment and devices.

All WiITec electric devices that fall under the WEEE regulations are labelled with the crossed-out wheeled waste bin logo. This logo indicates that this electric equipment must not be disposed with the domestic waste.

The company WiITec Technik GmbH has been registered in the German registry EAR under the WEEE-registration number DE45283704.

Disposal of used electrical and electronic devices (intended for use in the countries of the European Union and other European countries with a separate collection system for these devices).

The logo on the article or on its packaging points out that this article must not be treated as normal household waste but must be disposed to a recycling collection point for electronic and electrical waste equipment. By contributing to the correct disposal of this article you protect the environment and the health of your fellow men. Environment and health are threatened by inappropriate disposal.



Material recycling helps reduce the consumption of raw materials.

Additional information on recycling this article can be provided by your local community, municipal waste disposal facilities, or the store where you purchased the article.

Address:
WiITec Wildanger Technik GmbH
Königsbenden 12 / 28
D-52249 Eschweiler

Important notice:

The reprint or reproduction, even of excerpts, and any commercial use, even in part, of this instruction manual require the written permission of WiITec Wildanger Technik GmbH.