

# Operation Manual

## Water Purifier NW-1000 Pro 63453

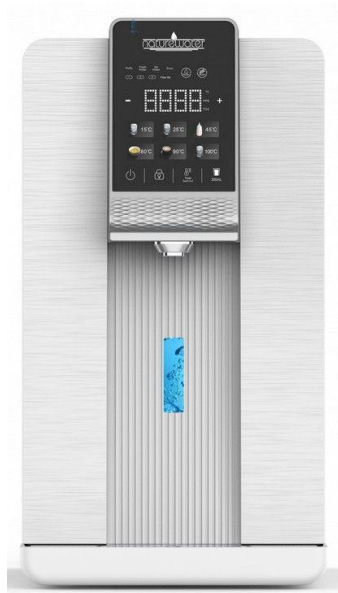


Illustration similar, may vary depending on model

Read and follow the operating instructions and safety information before using for the first time.

Technical changes reserved!

Due to further developments, illustrations, functioning steps, and technical data can differ insignificantly.

Updating the documentation

If you have suggestions for improvement or have found any irregularities, please contact us.

The information contained in this document may alter at any time without previous notice. It is prohibited to copy or spread any parts of this document in any way without prior written allowance. All rights reserved.

The WilTec Wildanger Technik GmbH cannot be held accountable for any possible mistakes in this operating manual, nor in the diagrams and figures shown.

Even though, the WilTec Wildanger Technik GmbH has undergone biggest possible efforts to ensure that the operating manual is complete, faultless, and up to date, mistakes cannot be entirely avoided.

If you should find a mistake or wish to make a suggestion for improvement, we look forward to hearing from you.

Send an e-mail to:

[service@wiltec.info](mailto:service@wiltec.info)

or use our contact form:

<https://www.wiltec.de/contacts/>

The most recent version of this manual in various languages can be found in our online shop via:

<https://www.wiltec.de/docsearch>

Our postal address is:

WilTec Wildanger Technik GmbH  
Königsbenden 12  
52249 Eschweiler  
Germany

To return orders for exchange, repair, or other purposes, please use the following address. Attention! To allow for a smooth execution of your complaint or return, it is important to contact our customer service team before returning the goods.

Returns Department  
WilTec Wildanger Technik GmbH  
Königsbenden 28  
52249 Eschweiler

E-mail: **service@wiltec.info**

Tel: +49 2403 55592-0

Fax: +49 2403 55592-15

## Introduction

Thank you for purchasing this quality product. **To minimise the risk of injury we urge that our clients take some basic safety precautions when using this device. Please read the operation instructions carefully and make sure you have understood its content.**

Keep these operation instructions safe.

## Product information

- This machine is designed with reverse osmosis (RO) filter technology, rare thick film heating technology, patented colour screen technology, and other new technologies.
- It can effectively filter out pollutants in water and ensure the quality and safety of water. At the same time, it can enrich the minerals useful for the human body and provide you with healthy water every day.
- The product is equipped with 3 s quick heating, separation of raw, clean, and waste water, integrated water path structure, and scald-proof children safety. This makes it easier, safer, and more convenient for you to use.
- The unit can be placed in the living room, bedroom, office, and other locations. With plug-and-play design, it is the best choice for safe and healthy washing.

## Safety instructions

- Do not clean the housing in water.
- Do not use universal sockets and other electrical devices at the same time. Only use sockets with at least 10 A fuse protection.
- Do not place the water container hanging down. Place it on a tabletop.
- Do not fill cloudy tap water, ice cubes, or other mixed liquids such as milk and fruit juice into the water tank.
- Do not insert the water spout into the rim of the tank when drawing off water to avoid the risk of boiling water clogging the spout.
- The device can be used by children aged from 8 years and above and persons with physical, sensory, or mental disabilities or lack of experience and knowledge if they have been given supervision or instruction concerning use of the device in a safe way and understand the dangers involved. No child may clean or service the machine without supervision.
- If the power cable is damaged, the device must no longer be used. Have the defective power cable replaced by a qualified electrician before using the device for the first time.
- Do not use the device if the water temperature or the ambient temperature is below 4 °C or above 38 °C.
- **Attention! Risk of scalding!!** When hot water is drawn off, a residue of hot water remains in the pipes. If cold water is drawn off directly afterwards, it is therefore possible that the water is still hot at the beginning of the draw-off.
- To avoid dangers, place the device on a flat tabletop. (The inclination of the tabletop should not be greater than 10°.)
- Before delivery from the factory, the entire machine is filled with water for inspection, so it is normal that there is some residual water inside the machine.

## Hygiene instructions

- Incorrect installation, operation, or non-compliance with the hygiene regulations can be harmful to your health. Follow all the hygiene instructions in this manual.
- Always ensure sufficient hygiene at the installation site.
- Always observe the cleaning intervals and the regular replacement of the filter element.
- If the unit is not used for more than 3 days, bacteria can form. Flush the system for at least 5 min before using the unit again as usual.

- Do not use the unit without sufficient disinfection if the water is microbiologically contaminated or of unknown quality.
- Avoid direct contact with the outlet tap.

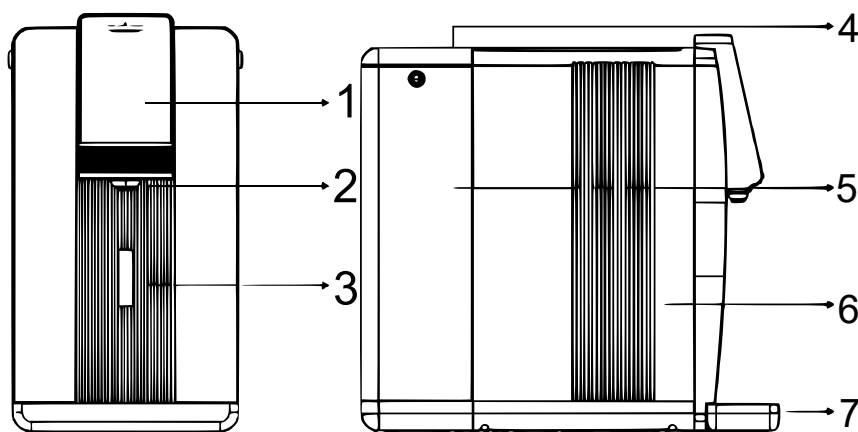
### Notes on the filter element

- Improper operation can damage components.
- Never expose the filter cartridge to direct sunlight, open fire, radiators, or similar.
- Avoid mechanical damage.
- Do not open the filter system and the water filter element during operation.
- If the raw water does not meet the standard of municipal tap water (including excessive sludge content and TDS), the life of the filter element may be shortened.

### Technical Data

Item model	NW-1000 PRO
Power supply	220 V / 50 Hz
Rated power (W)	2200
Rated heating power (W)	2100
Water heating capacity ( $\frac{\ell}{h}$ )	18 ( $\geq 90\text{ }^{\circ}\text{C}$ )
Water production flow ( $\frac{\ell}{h}$ )	30
Working pressure (bar)	4–6
Applicable water source	City water
Applicable water temperature ( $^{\circ}\text{C}$ )	5–38
Water tank capacity ( $\ell$ )	6 / 2.5
Dimensions (mm)	475 × 240 × 450

### Main components



No	Name
1	Display panel
2	Outlet nozzle
3	Transparent window
4	Raw water tank cover




5	Water tank
6	Main engine
7	Water receiver

### Control panel



No	Name
1	Touch the key symbol to unlock the 15°C, 25°C, and 45°C temperature selections. These do not need to be unlocked.
2	The red warning status is always on in the event of a malfunction.
3	The PPB value is displayed by default and the corresponding temperature is displayed when water is drawn.

Symbol	Meaning
	<ul style="list-style-type: none"> <li>Button to start and put the unit in standby mode.</li> <li>Press and hold the key for 2 s to start the unit in standby mode.</li> <li>Press the key for 2 s to put the unit in standby mode when it is activated.</li> </ul>
	In start/standby mode, press for 3 s to clean the unit. Press briefly to display the evaporation residue (TDS value).
	These indicators are used to show the life of the filter element. <ul style="list-style-type: none"> <li>White: The status of the filter element is normal.</li> <li>Orange: 80 % of the filter element is used up.</li> <li>Red: The life of the filter element has expired and needs to be replaced.</li> </ul>
	To reset the filter element, press and hold the "Reset" button for 3 s, then briefly press the "Reset" button to select the filter element. The number of the selected filter element flashes. To reset, press and hold the "Reset" button for 3 s.

Purify	It is always lit when water is being produced and it flashes when the filter element is being rinsed.
Fresh Water	If the fresh water indicator lights up, it means that there is too little water in the water tank. The remaining water in the water tank should be poured out and replaced with fresh water.
No Water	If the "No water" indicator lights up, it means that there is no water in the built-in clean water tank. You cannot receive water at this time and must wait for water production.
	Press the lock button and select "Cancel" or "Lock" to automatically lock the machine within 5 s. The lock button is responsible for securing the three buttons "Coffee," "Tea," and "Hot water."
 Temp. Control	<ul style="list-style-type: none"> <li>• Press "Temp Control," then press the corresponding temperature button ("Milk," "Tea," "Coffee," or "Hot water").</li> <li>• Press the "+" key or "-" key to adjust the water temperature. No selection ends the process automatically after 5 s.</li> </ul>
 300mL	You can take out a quantity of water of 300 ml. First press the "300mL" button and then select the corresponding water temperature.
Temperature	Buttons for temperature selection. At 15 °C, the water temperature output is $\leq 15$ °C. The PREP indicator on the control panel means that ice water is being produced and COOL means that cooling is complete.

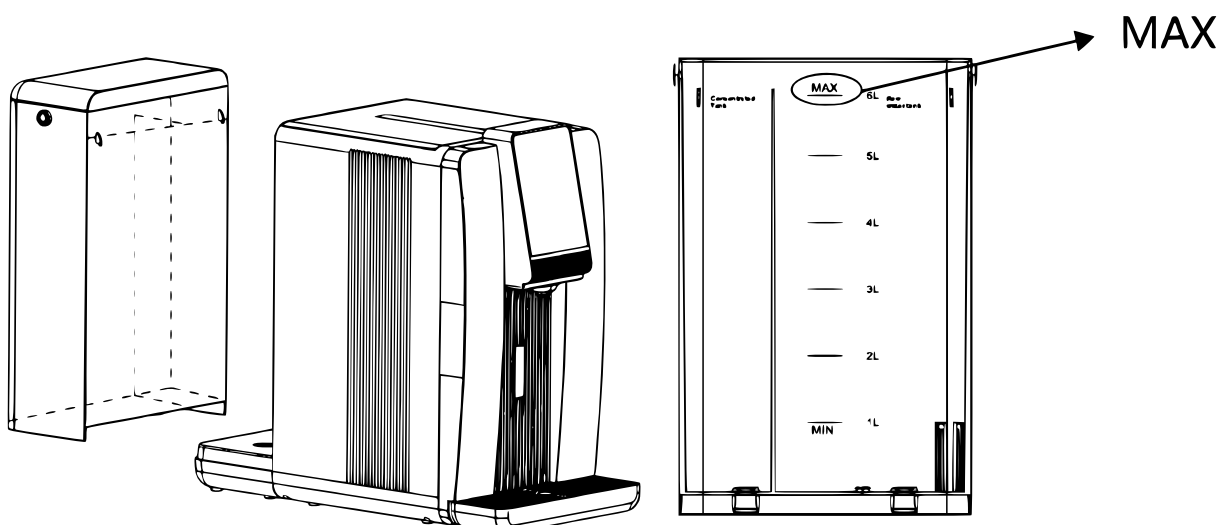
### First use

#### Step 1

Place the unit on a table, cabinet, or flat surface.

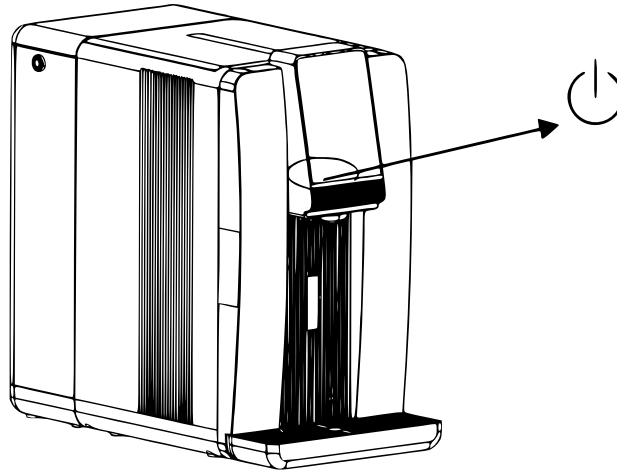
#### Step 2

Remove the water tank and add tap water to the highest MAX water level. Then put the tank back on the machine and close the tank cover.



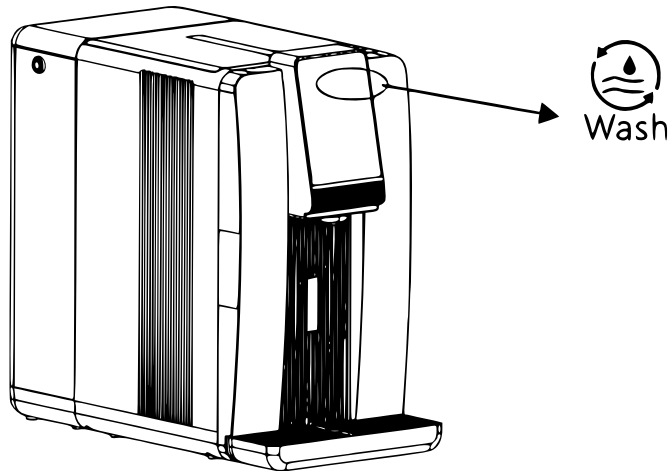
### Step 3

Connect the unit to the power supply. Press the power button for 2 s to start the unit.



### Step 4

Place a collection container at the outlet (e.g., a bucket or bowl) and press the rinse button for 3 s to manually clean the machine. After 6 min, you can use the water conditioner for daily use. To obtain excellent water with high quality, it is recommended to rinse the appliance 3 times.



### Step 5

After the cleaning process, the water tank should be emptied and filled with tap water again. The water conditioner will automatically start producing water. After the water production is complete, it can be used normally.

Daily use



1. Press “15°C,” “25°C,” “45°C,” and other buttons to directly obtain 1000 ml water.



1. Press the “lock” button to unlock.
2. Press the “80°C,” “90°C,” “100°C,” and other buttons to directly dispense 1000 ml of water.





1. Press “15°C,” “25°C,” “45°C,” “80°C,” “90°C,” “100°C,” and other buttons. (If you need “tea,” “coffee,” “hot water,” you must touch the “lock button” to unlock the output).
2. When you touch the “300mL” button, the button lights up. Then select one of the buttons “15°C,” “25°C,” “45°C,” “80°C,” “90°C,” or “100°C.” The water can be dispensed directly. The “300mL” light does not go out after water dispensing is finished.

**Note!** Pressing any temperature key during water withdrawal stops the water dispensing.

#### Attention!

- This machine is equipped with a quantitative water outlet protection. If the amount of water exceeds 1000 ml, the water outlet will stop automatically.
- When taking out hot water, do not reach your hand under the water outlet. **Risk of scalding!**
- When you switch on the device for the first time to draw off hot water, first put in some room temperature water and then the hot water. **Risk of scalding!**
- When the hydrogen-rich transparent window tank is used for the first time, the piping will be trapped due to the air inside, which will not fill the tank. Please press the water outlet button at normal temperature to drain the water once and release the air inside.

#### Setting the temperature mode manually

Press the “80°C” and “100°C” buttons simultaneously for 3 s to switch the appliance to temperature control mode (the digital display shows “95”). Press “-” to decrease the temperature by 1 degree and press “+” to increase the temperature by 1 degree. The lowest temperature that can be set is 85 degrees. When the desired temperature is reached and there is no operation for 5 s, the display shows that the setting has been completed successfully.

#### Cooling function

- When using the ice water function for the first time, click the ice water button and then press the water outlet button to release the air in the pipe and start water dispensing.
- Press the button for normal temperature water and let the water dispensing run for 10 s.
- When the water level in the transparent window starts to rise, water dispensing can be stopped.
- While the dispenser is in operation, you can press the cold water button for 5 s to switch off the cooling function. If you press the cooling function again for 5 s, the cooling function is switched on (only applies to appliances with cooling function).

## Sleep mode

If you do not press any key within 60 s, the unit automatically enters sleep mode and the screen is dimmed to save power. If a key is touched, the hibernation mode is ended.

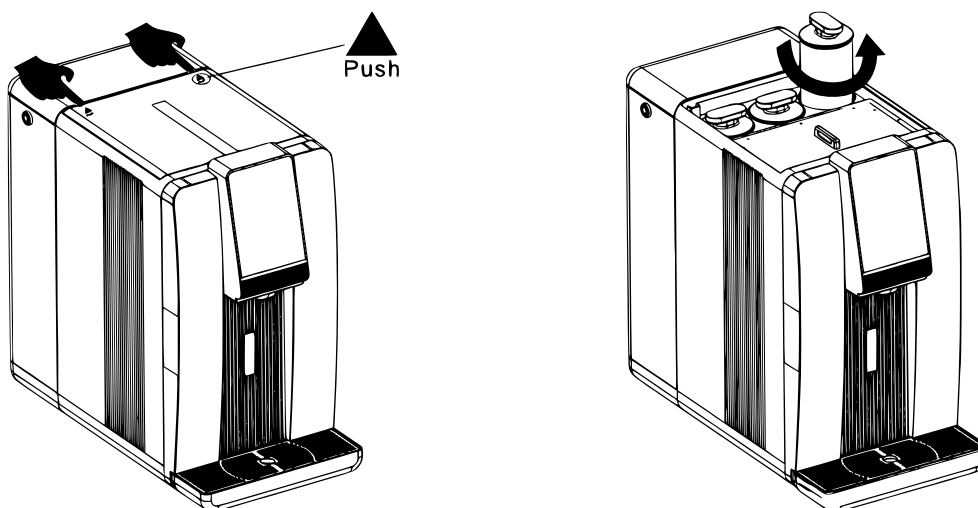
## Function of the filter element

Filter element	Type of filter element	Function	Recommended replacement period (months)
RO	Reverse osmosis filter element	<ul style="list-style-type: none"> <li>Filter accuracy of 0.0001 <math>\mu\text{m}</math>.</li> <li>Removal of deposits and heavy metals</li> </ul>	12–24
PAC	PP sediment filter with cotton activated carbon rod	<ul style="list-style-type: none"> <li>Removal of impurities such as sludge, rust, sand, suspended matter, etc.</li> <li>Removal of residual chlorine and absorption of unpleasant tastes and odours.</li> </ul>	6–12
CF	Activated carbon filter with Gourmet cartridge	Improving the taste of water	6–12

## Replacing the filter element

### Step 1

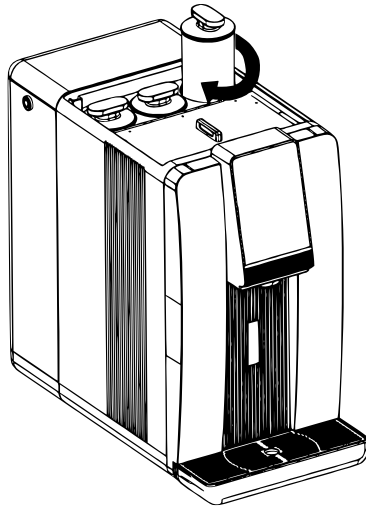
Disconnect the power supply and remove the old filter element.



1. Press the button to open the top cover of the appliance automatically.
2. turn the filter element anticlockwise and take it out upwards.

## Step 2

Install the new filter element.



1. Insert the new filter element and turn it clockwise to tighten it.
2. Press and hold "Reset," then select "Reset" to select the appropriate filter element. Press and hold the "Reset" button for 3 s to complete the reset.

**Note!** The original filter element must be used for the replacement to ensure the safety of the drinking water.

## Troubleshooting table

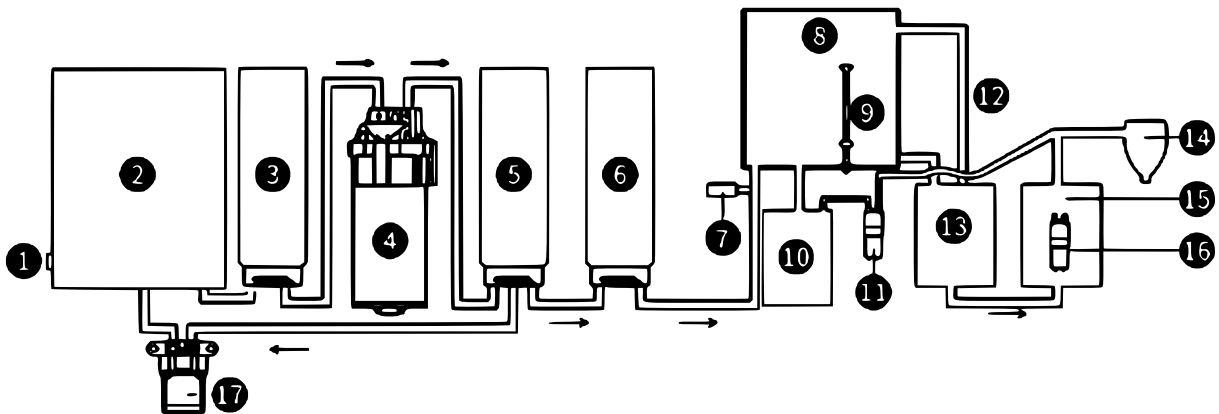
If your unit has a malfunction, first read the help information in the following table. If the problem cannot be solved, please contact a qualified specialist.

Problem	Possible causes and suggested solutions
<b>Device cannot produce water</b>	<ol style="list-style-type: none"> <li>1. Check if the raw water tank contains water.</li> <li>2. Check if the filter insert is clogged with too much dirt.</li> </ol>
<b>Water flow is too low</b>	Check if the filter element is too dirty or has been used beyond its service life.
<b>Water does not taste good</b>	<ol style="list-style-type: none"> <li>1. Check that the filter element has not been replaced at the end of its service life.</li> <li>2. Check that the parts of the machine have not been dismantled without authorisation.</li> <li>3. Check if the parts at the extraction point are not screwed tightly, displaced, or shifted.</li> <li>4. Check if the silicone sealing ring at the extraction point is worn or damaged.</li> </ol>
<b>Leakage currents and induced electricity in the device housing</b>	The machine is insufficiently earthed.
<b>Unit cannot heat up</b>	<ol style="list-style-type: none"> <li>1. Check that the device is switched on.</li> <li>2. The thermostat protection on the radiator cannot be reset.</li> </ol>
<b>Device does not cool down</b>	Cooling function has not been activated.

### Error messages

Code	Reason	Processing mode
E1	After 90 min of uninterrupted water treatment, the tank is not completely filled.	Check that the float ball in the water tank, the filter element and the water tank are correctly installed.
E2	Inlet water temperature – open circuit	Replace heating elements and/or have them repaired.
E3	Outlet water temperature – open circuit	Replace heating elements and/or have them repaired.
E4	The water temperature at the inlet is determined as 0–1 °C.	Use water with a temperature of 5–38 °C.
E6	Hardware heating circuit board fault has been detected	Have assembly replaced.
E7	Strong heating of the heating elements	Automatic return to normal temperature after temperature reduction.

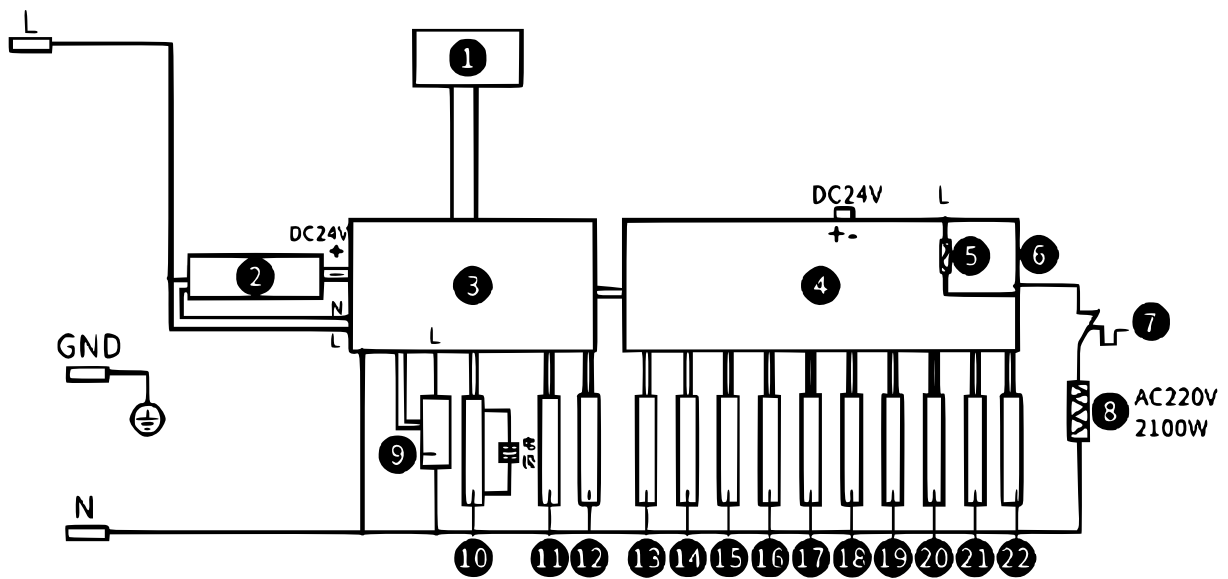
### Connection diagram



No	Name
1	Float
2	Raw water tank
3	Composite filter element
4	Self-priming pump
5	Reverse osmosis membrane filter element
6	Rear-mounted carbon rod filter element
7	TDS probe
8	Pure water tank
9	High-low float
10	Cooling

11	Water pump
12	Exhaust pipe
13	Electrolysis module
14	Outlet nozzle
15	Heating module
16	Water pump
17	Waste water solenoid valve

**Connection diagram**



No	Name
1	Display screen
2	24 V power adapter
3	Main control panel
4	Mainboard of integrated body
5	Fuse
6	Heating module
7	Temperature controller (automatic reset)
8	Heater
9	Electronic refrigeration module
10	Enrichment module
11	Lighting panel
12	Water pump
13	Float
14	Flushing solenoid valve
15	Self-priming pump
16	UV lamp



<b>17</b>	TDS
<b>18</b>	Raw water tank proximity switch
<b>19</b>	Inlet water NTC
<b>20</b>	Outlet water NTC
<b>21</b>	Water change proximity switch
<b>22</b>	Water pump

## Disposal regulations

EU guidelines regarding the disposal of scrap electric appliances (WEEE, 2012/19/EU) were implemented in the law related to electrical and electronic equipment and appliances.

All WiITec electric devices that fall under the WEEE regulations are labelled with the crossed-out wheeled waste bin logo. This logo indicates that this electric equipment must not be disposed with the domestic waste.

The company WiITec Technik GmbH has been registered in the German registry EAR under the WEEE-registration number DE45283704.

Disposal of used electrical and electronic appliances (intended for use in the countries of the European Union and other European countries with a separate collection system for these appliances).

The logo on the article or on its packaging points out that this article must not be treated as normal household waste but must be disposed to a recycling collection point for electronic and electrical waste equipment. By contributing to the correct disposal of this article you protect the environment and the health of your fellow men. Environment and health are threatened by inappropriate disposal.



Material recycling helps reduce the consumption of raw materials.

Additional information on recycling this article can be provided by your local community, municipal waste disposal facilities, or the store where you purchased the article.

Address:  
WiITec Wildanger Technik GmbH  
Königsbenden 12 / 28  
D-52249 Eschweiler

Important notice:

The reprint or reproduction, even of excerpts, and any commercial use, even in part, of this instruction manual require the written permission of WiITec Wildanger Technik GmbH.