

Operation Manual

LED Work Light

63503-63505



Illustration similar, may vary depending on model

Read and follow the operating instructions and safety information before using for the first time.

Technical changes reserved!

Due to further developments, illustrations, functioning steps, and technical data can differ insignificantly.

Updating the documentation

If you have suggestions for improvement or have found any irregularities, please contact us.



The information contained in this document may alter at any time without previous notice. It is prohibited to copy or spread any parts of this document in any way without prior written allowance. All rights reserved.

The WilTec Wildanger Technik GmbH cannot be held accountable for any possible mistakes in this operating manual, nor in the diagrams and figures shown.

Even though, the WilTec Wildanger Technik GmbH has undergone biggest possible efforts to ensure that the operating manual is complete, faultless, and up to date, mistakes cannot be entirely avoided.

If you should find a mistake or wish to make a suggestion for improvement, we look forward to hearing from you.

Send an e-mail to:

service@wiltec.info

or use our contact form:

<https://www.wiltec.de/contacts/>

The most recent version of this manual in various languages can be found in our online shop via:

<https://www.wiltec.de/docsearch>

Our postal address is:

WilTec Wildanger Technik GmbH
Königsbenden 12
52249 Eschweiler
Germany

To return orders for exchange, repair, or other purposes, please use the following address. Attention! To allow for a smooth execution of your complaint or return, it is important to contact our customer service team before returning the goods.

Returns Department
WilTec Wildanger Technik GmbH
Königsbenden 28
52249 Eschweiler

E-mail: **service@wiltec.info**

Tel: +49 2403 55592-0

Fax: +49 2403 55592-15



Introduction

Thank you for purchasing this quality product. **To minimise the risk of injury we urge that our clients take some basic safety precautions when using this device. Please read the operation instructions carefully and make sure you have understood its content.**

Keep these operation instructions safe.

Safety instructions

- Only connect the work light to a grounded 230 V socket.
- Protection class IP54 for indoor and outdoor use.
- Carry the work light by the handle or on your body. Do not carry or move the work light by the cable.
- The work light must be placed on a non-flammable surface.
- Do not place the work light where it can be accidentally knocked over.
- Do not use the work light if it is damaged in any way. Maintenance must only be carried out by an authorised electrician.

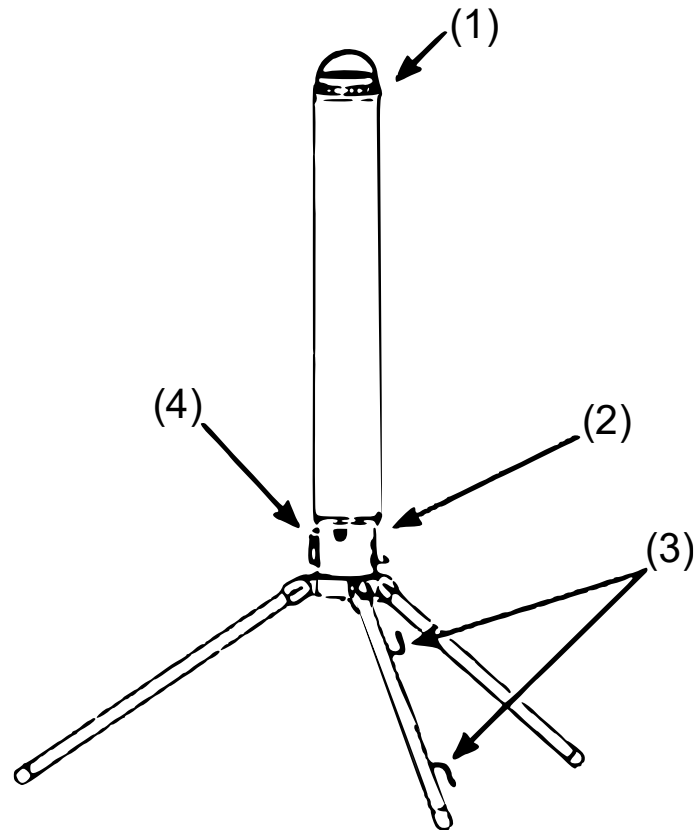
Operating instructions

- Unfold the tripod legs of the work light to use the work light in a freestanding position.
- Make sure that the tripod legs are locked in one of the two positions.
- Before use, make sure that the work light and cable are not damaged.
- Connect the work light to a suitable power source. The socket of the work light can be used for connecting power tools or similar equipment or for connecting an additional work light (max. 2400 W/16 amps). Make sure that the cable does not pose a hazard at the workplace.
- Disconnect the work light from the mains after use.
- Do not attempt to open the work light.

Notes on maintenance

Carefully wipe the work light with a dry cloth to ensure good light output and heat dissipation.

Parts overview



Nº	Name	Nº	Name
1	Handle	3	Cable holder
2	On/off switch	4	Socket

Technical data

Item number	63503	63504	63505
Housing material	Plastic		
Power (W)	100	150	200
Electricity supply	230 V / 50 Hz		
Colour temperature (K)	2700–6400		
Lumen (lm)	10,000	15,000	20,000
Protection class	IP54		
Mains cable and plug	H07RN-F 3×1,5 mm ²		
Length of mains cable (m)	2		
Socket max. connection	2400 W / 10 A		
Dimension (mm)	1100 × 1330	1100 × 1330	1300 × 1640

Disposal regulations

EU guidelines regarding the disposal of scrap electric appliances (WEEE, 2012/19/EU) were implemented in the law related to electrical and electronic equipment and appliances.

All WiITec electric devices that fall under the WEEE regulations are labelled with the crossed-out wheeled waste bin logo. This logo indicates that this electric equipment must not be disposed with the domestic waste.

The company WiITec Technik GmbH has been registered in the German registry EAR under the WEEE-registration number DE45283704.

Disposal of used electrical and electronic appliances (intended for use in the countries of the European Union and other European countries with a separate collection system for these appliances).

The logo on the article or on its packaging points out that this article must not be treated as normal household waste but must be disposed to a recycling collection point for electronic and electrical waste equipment. By contributing to the correct disposal of this article you protect the environment and the health of your fellow men. Environment and health are threatened by inappropriate disposal.



Material recycling helps reduce the consumption of raw materials.

Additional information on recycling this article can be provided by your local community, municipal waste disposal facilities, or the store where you purchased the article.

Address:
WiITec Wildanger Technik GmbH
Königsbenden 12 / 28
D-52249 Eschweiler

Important notice:

The reprint or reproduction, even of excerpts, and any commercial use, even in part, of this instruction manual require the written permission of WiITec Wildanger Technik GmbH.