

①×2



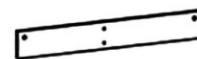
②×2



③×1



④×1



⑤×2



⑥×2



⑦×2



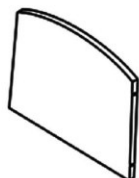
⑧×1



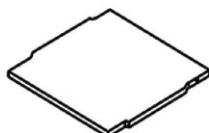
⑨×2



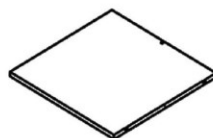
⑩×2



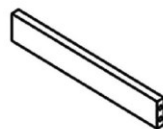
⑪×2



⑫×2



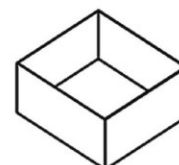
⑬×2



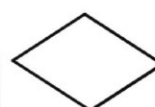
⑭×4



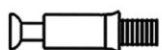
⑮×2



⑯×2



⑰×2



A×4



B×4



C×26



D×26



E×4



F×26



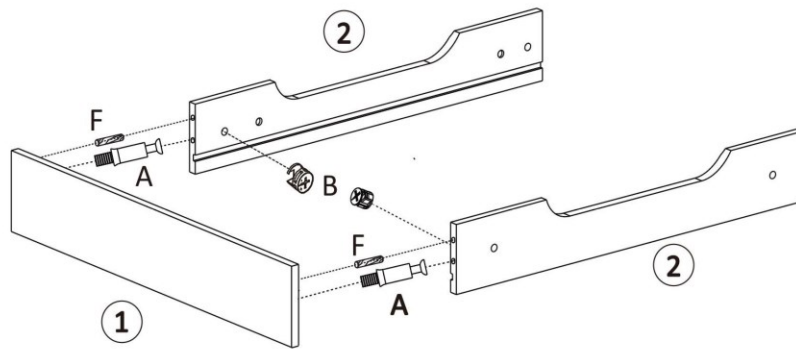
G×12



H×6

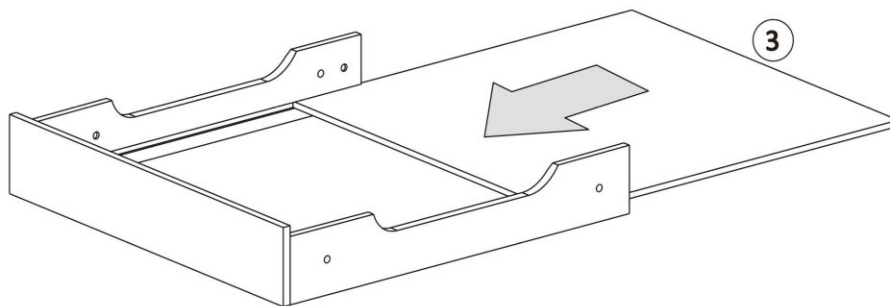


1

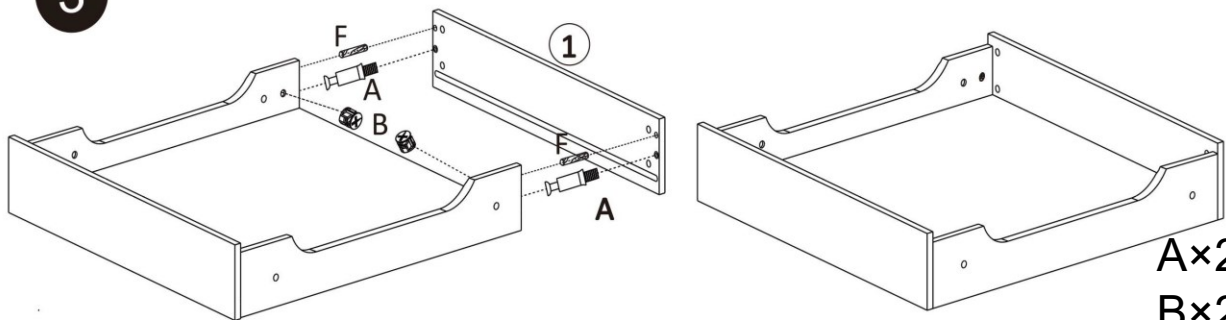


A×2  
B×2  
F×2

2

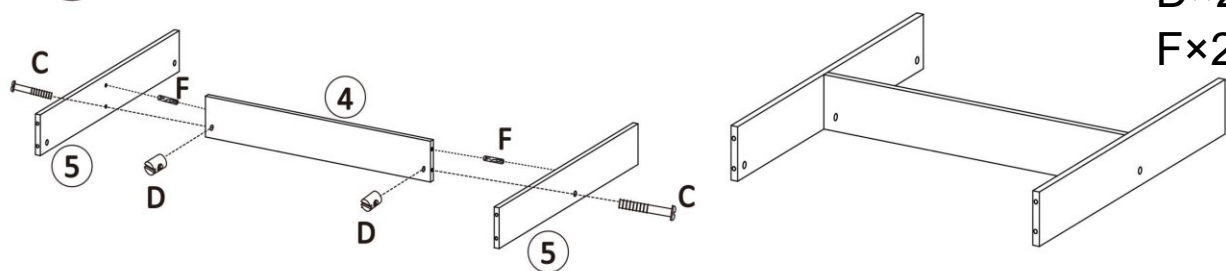


3



A×2  
B×2  
F×2

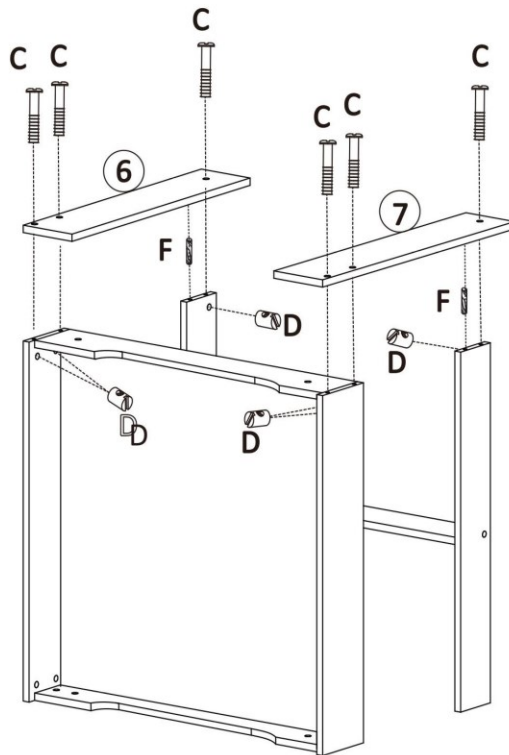
4



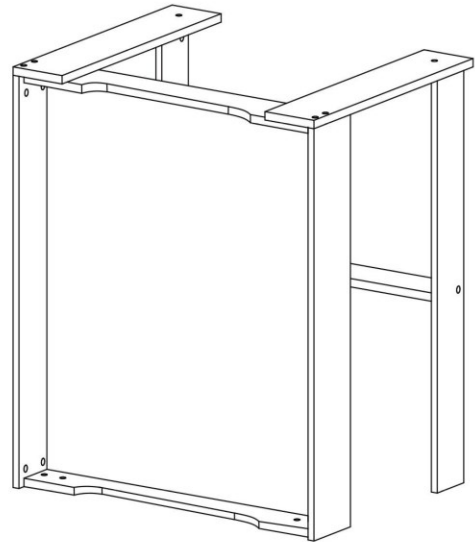
C×2  
D×2  
F×2



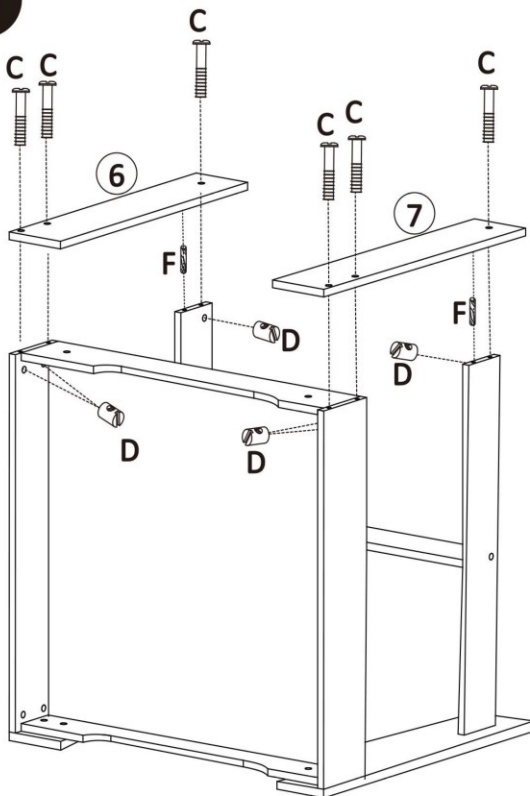
5



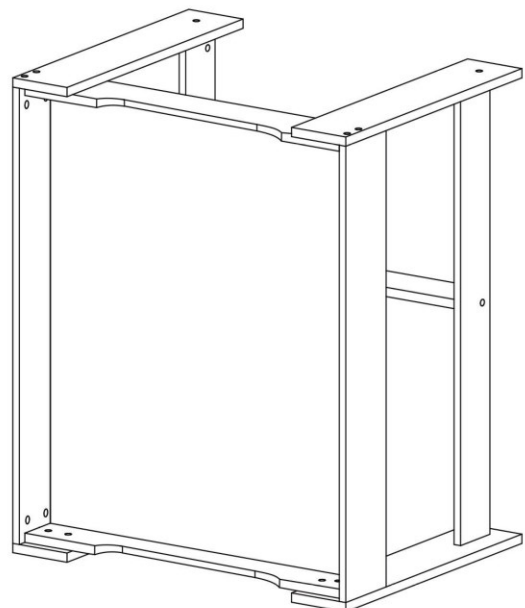
C×6  
D×6  
F×2



6

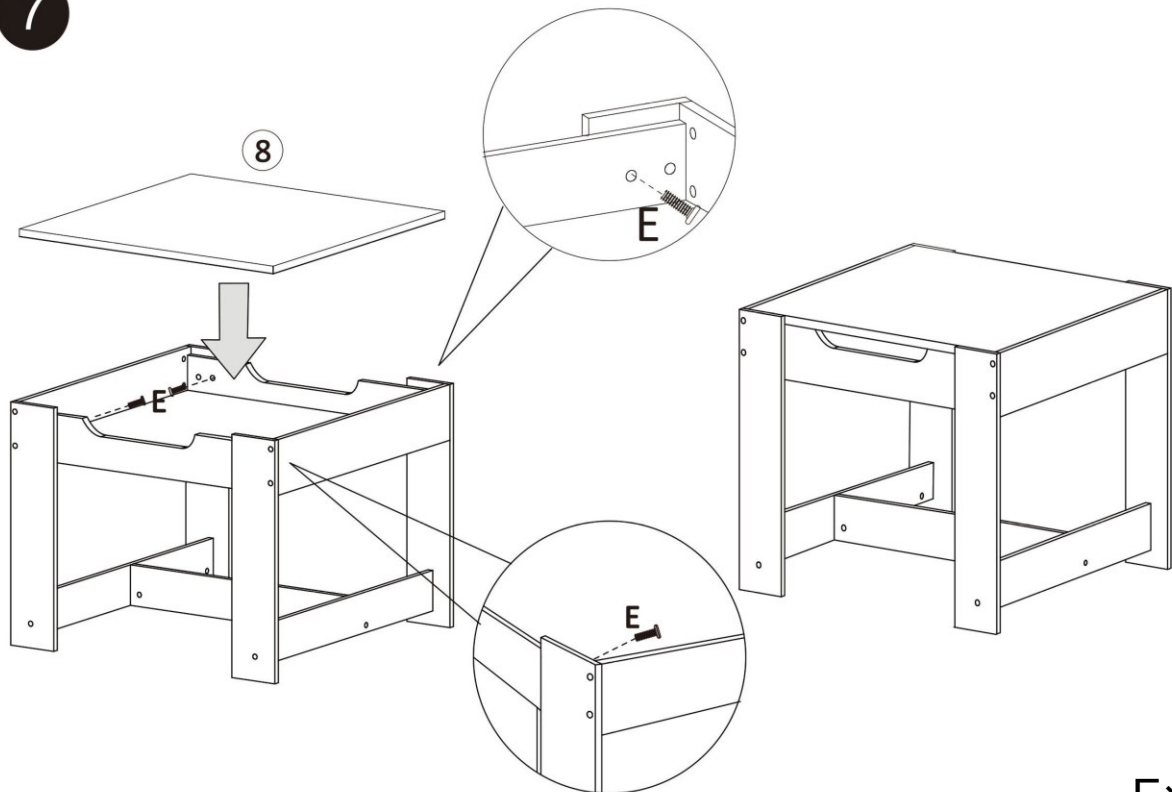


C×6  
D×6  
F×2



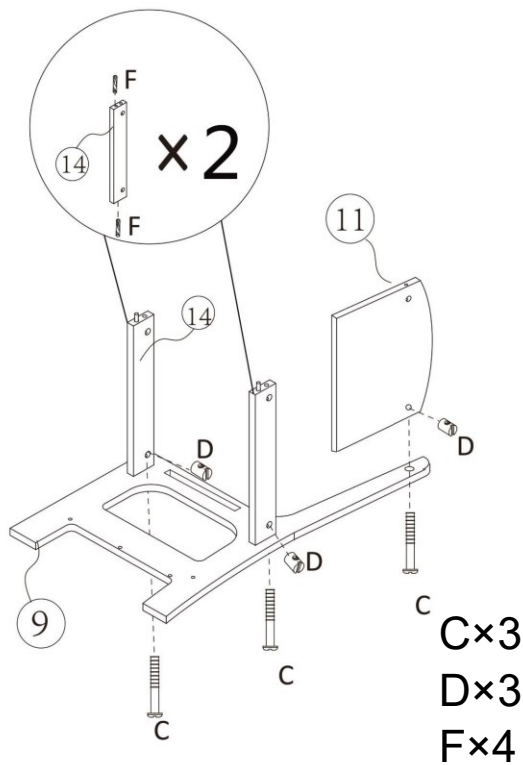


7

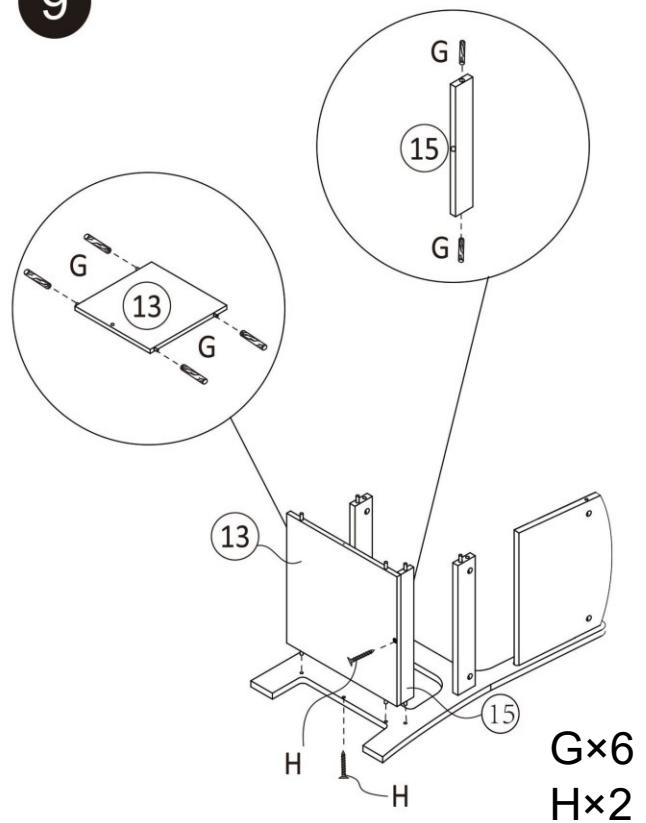


E×4

8

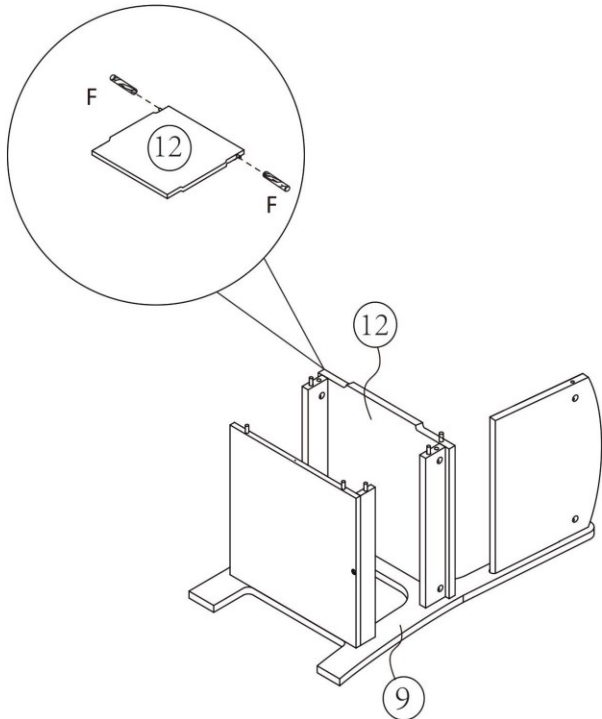


9



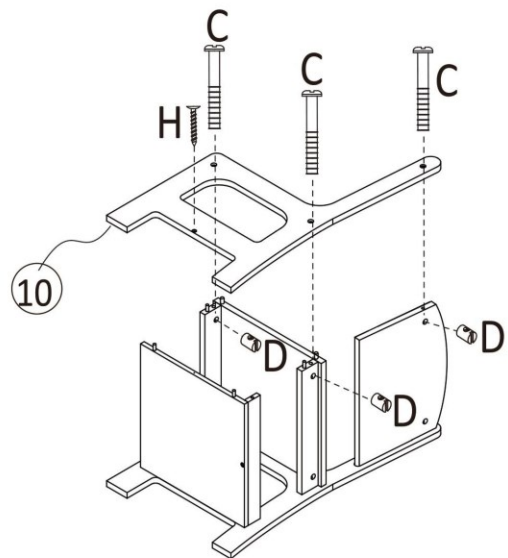


10



F×4

11

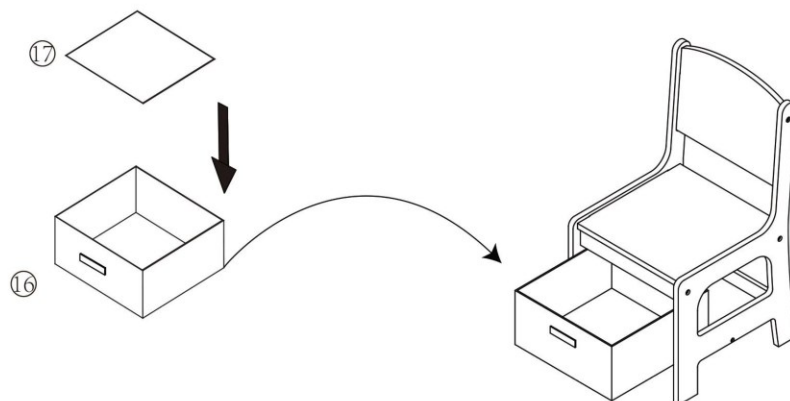


C×3

D×3

H×1

12



**Important Note:** Reproduction and any commercial use (of parts) of this operating manual, requires a written permission of WilTec Wildanger Technik GmbH.