

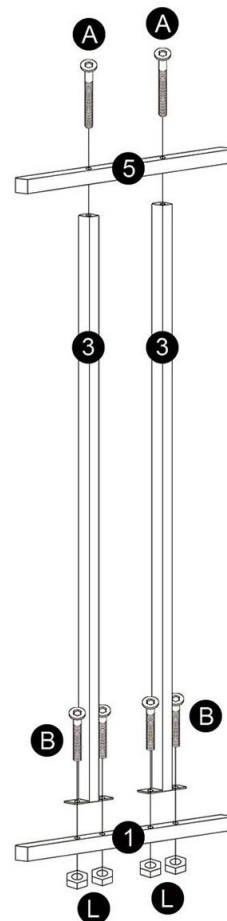
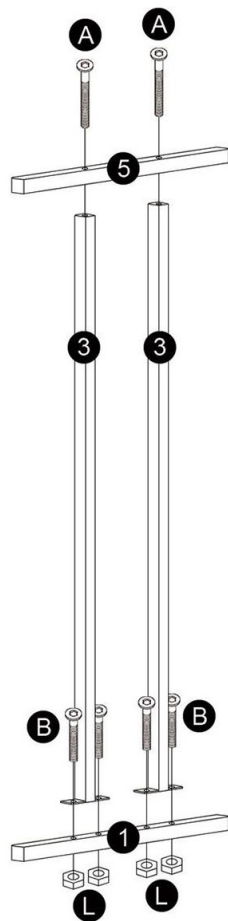


Screws and accessories							
Letter	Fig.	Dim. (mm)	Qty.	Letter	Fig.	Name	Qty.
A		M8x40	16	G		Foot	12
B		M8x35	76	H		M6 socket wrench	1
C		90° connector	16	I		M8 socket wrench	1
D		Angle piece	4	J		M6 wrench	1
E		M8x16	8	K		M8 wrench	1
F		M8x45	4	L		Screw-nut	72

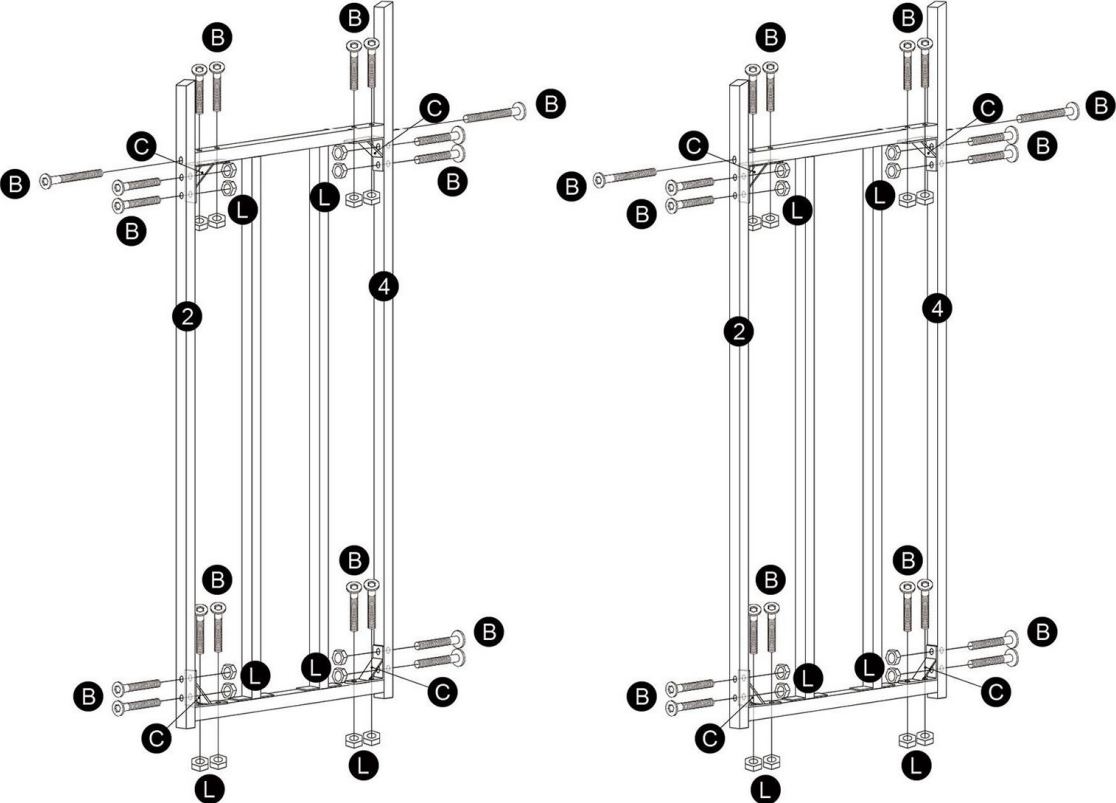
Components								
Nº	Fig.	Qty.	Nº	Fig.	Qty.	Nº	Fig.	Qty.
1		2	6		2	11		3
2		2	7		2	12		4



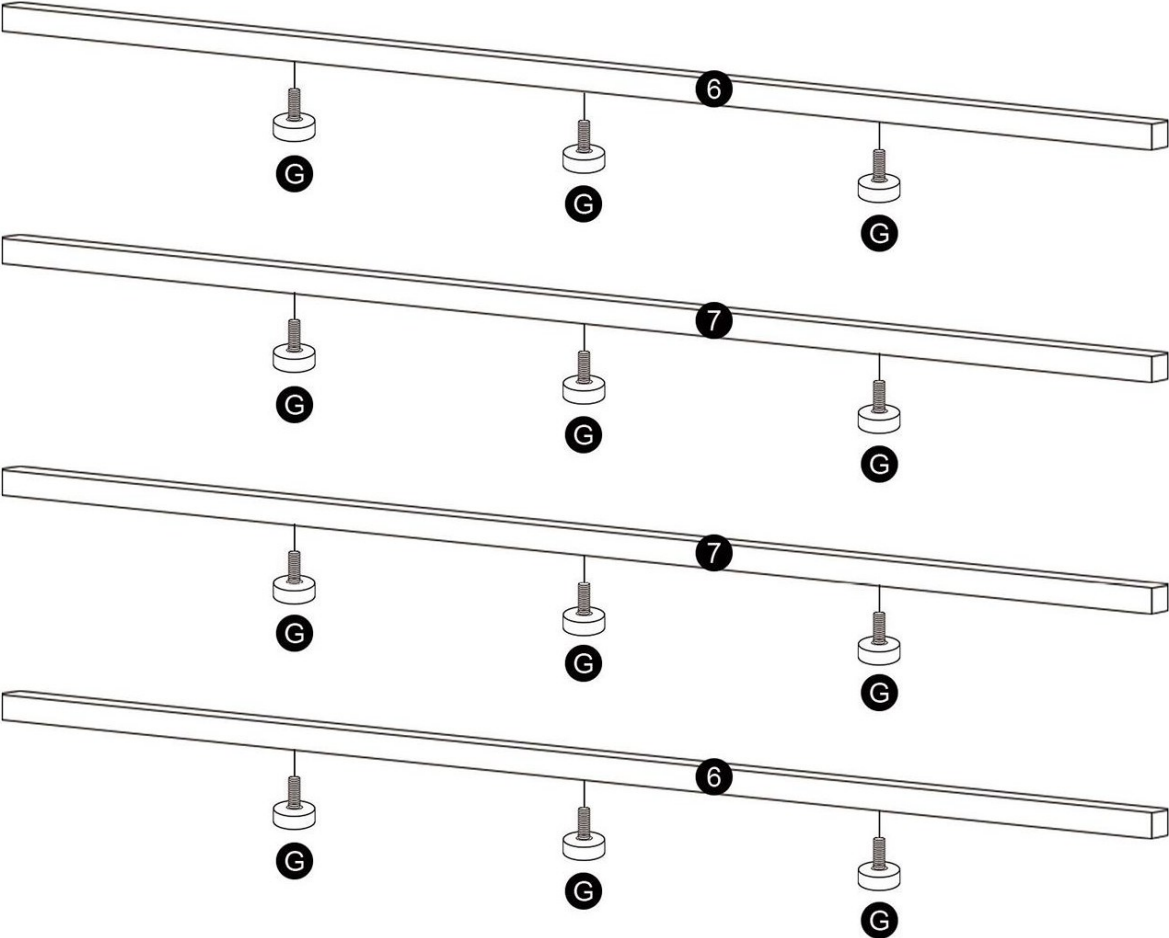
3		4	8		2	13		1
4		2	9		2	14		1
5		2	10		2			



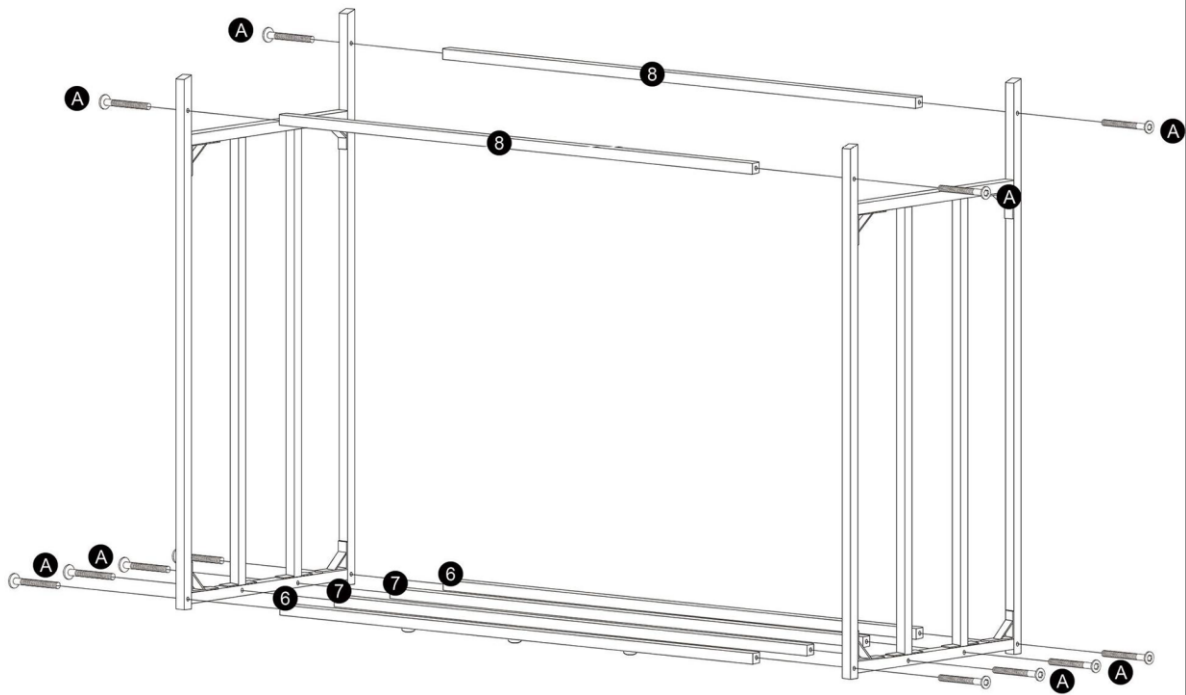
Step 1



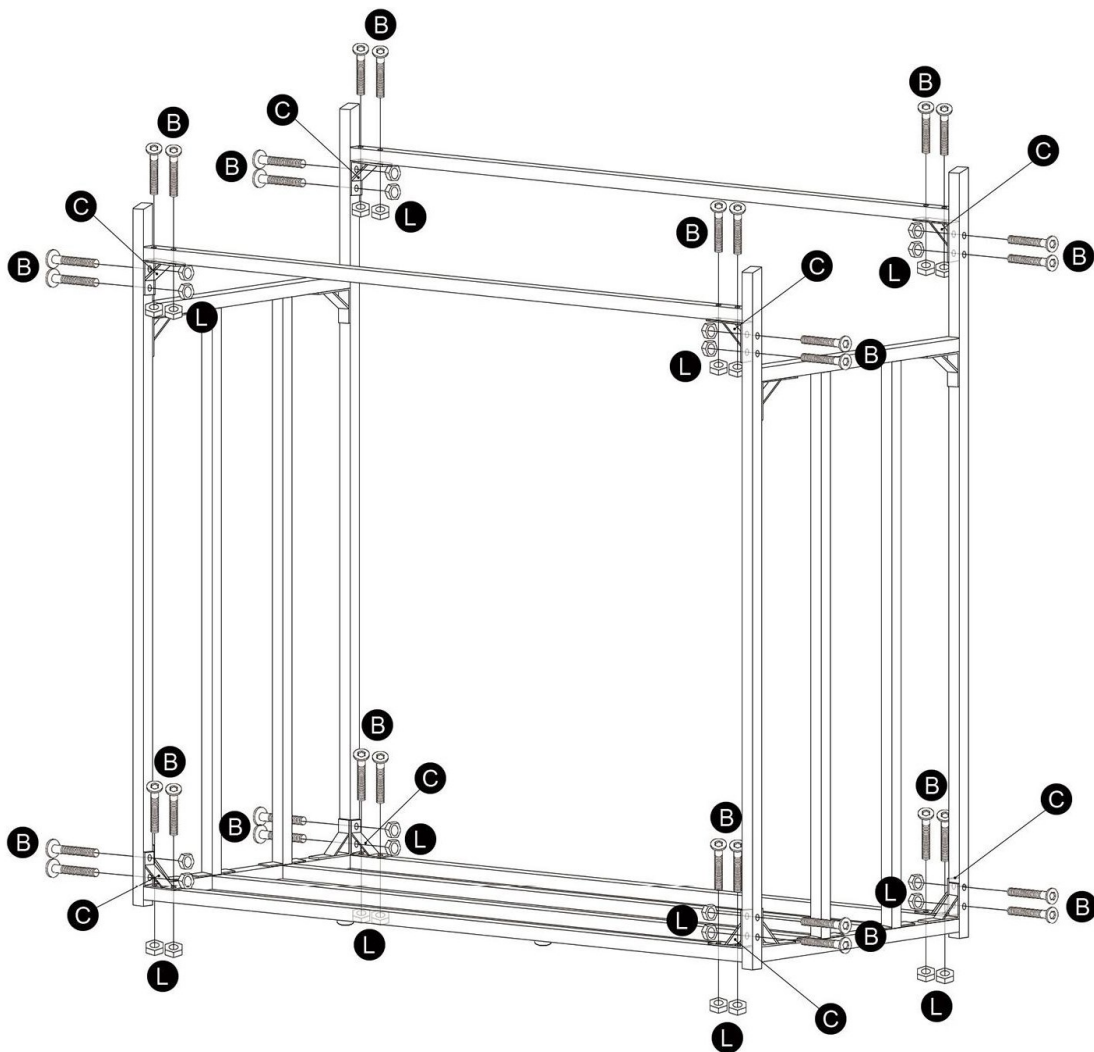
Step 2



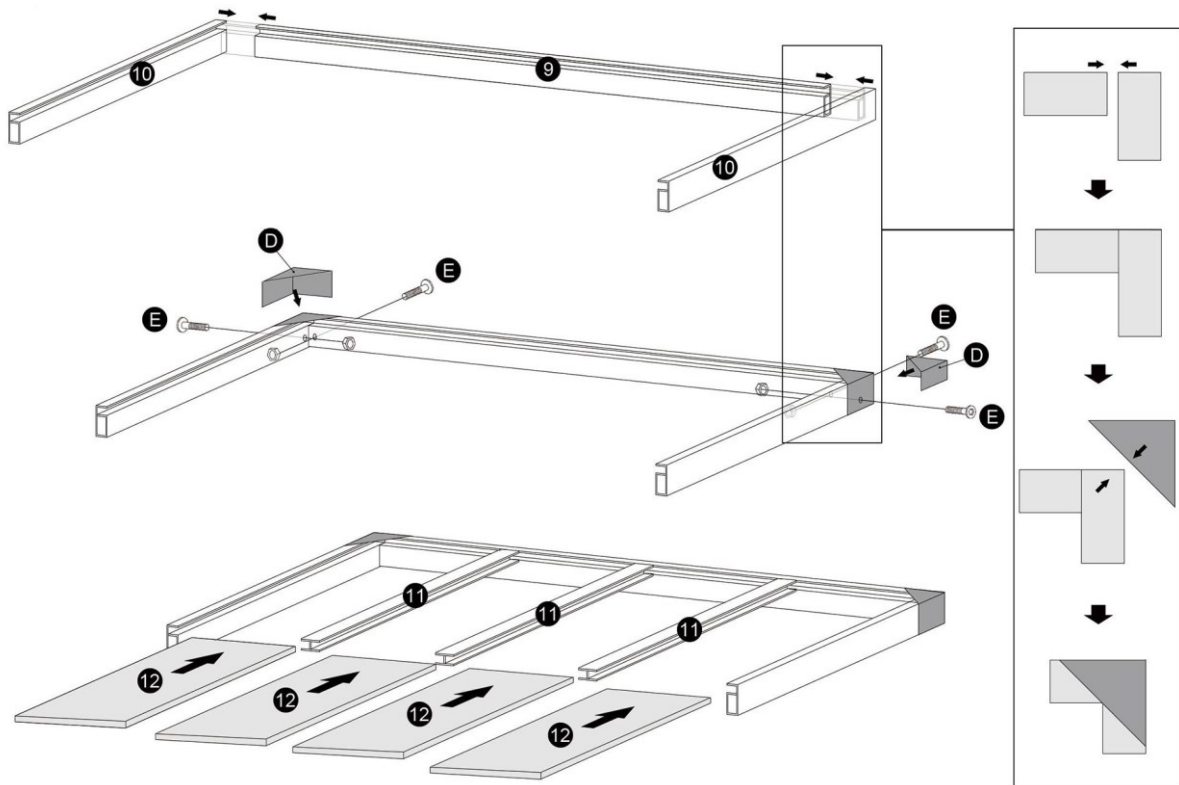
Step 3



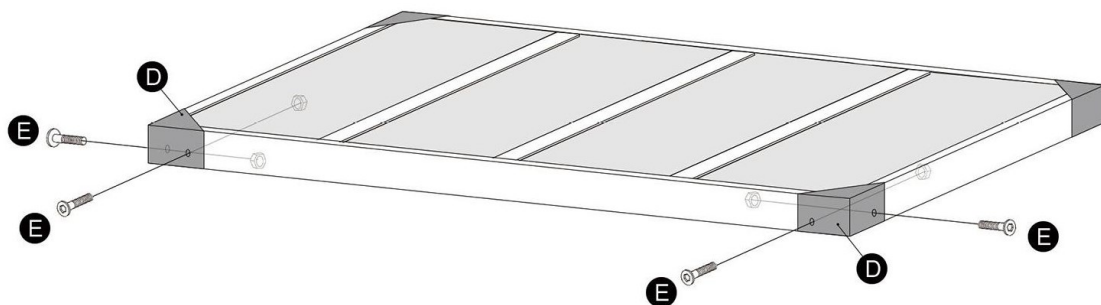
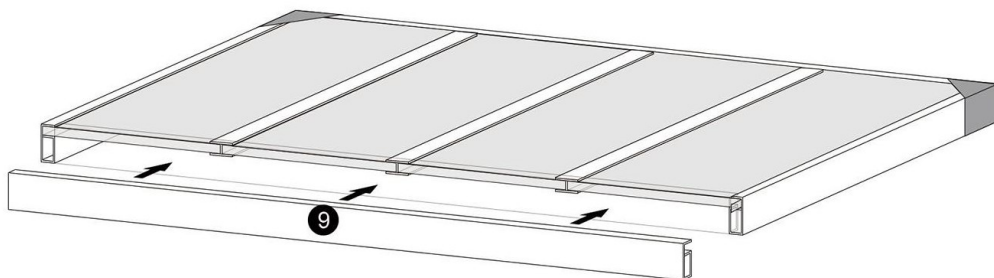
Step 4



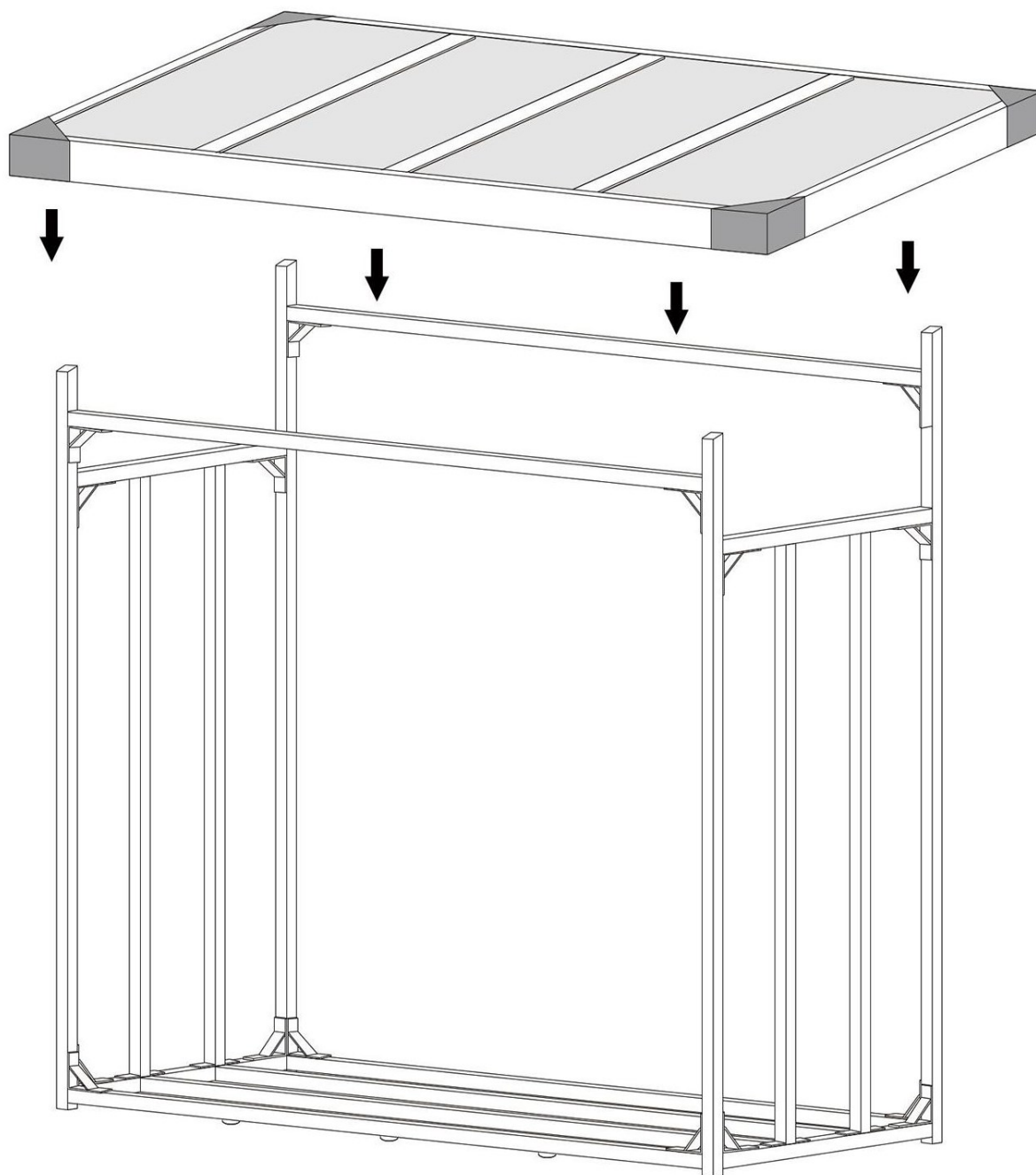
Step 5



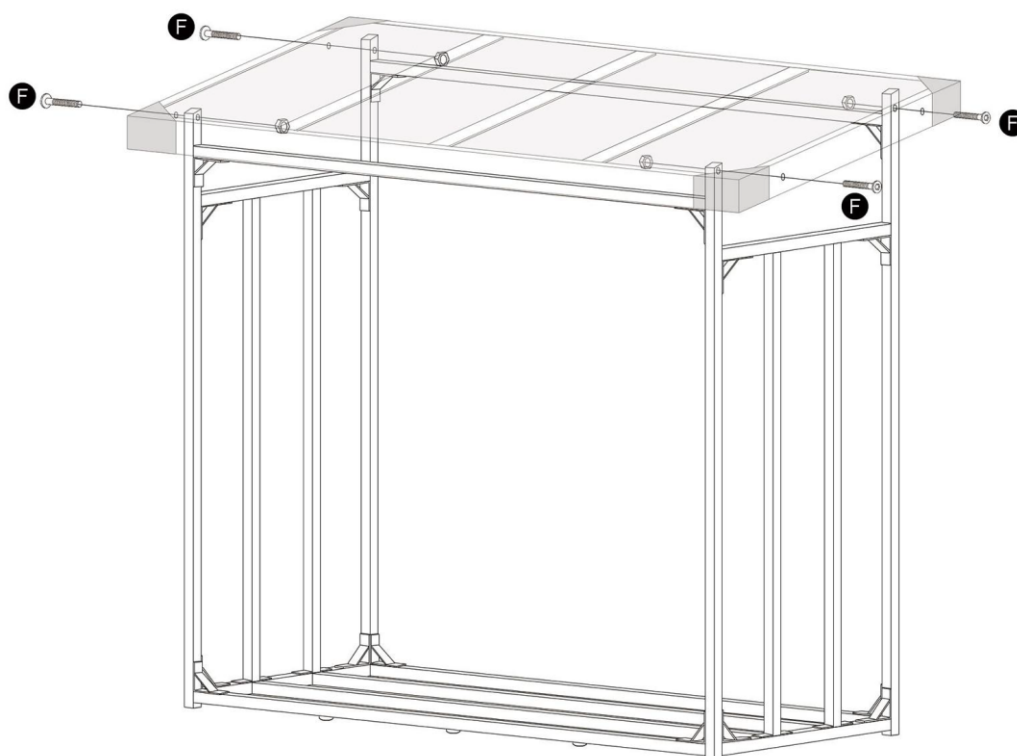
Step 6



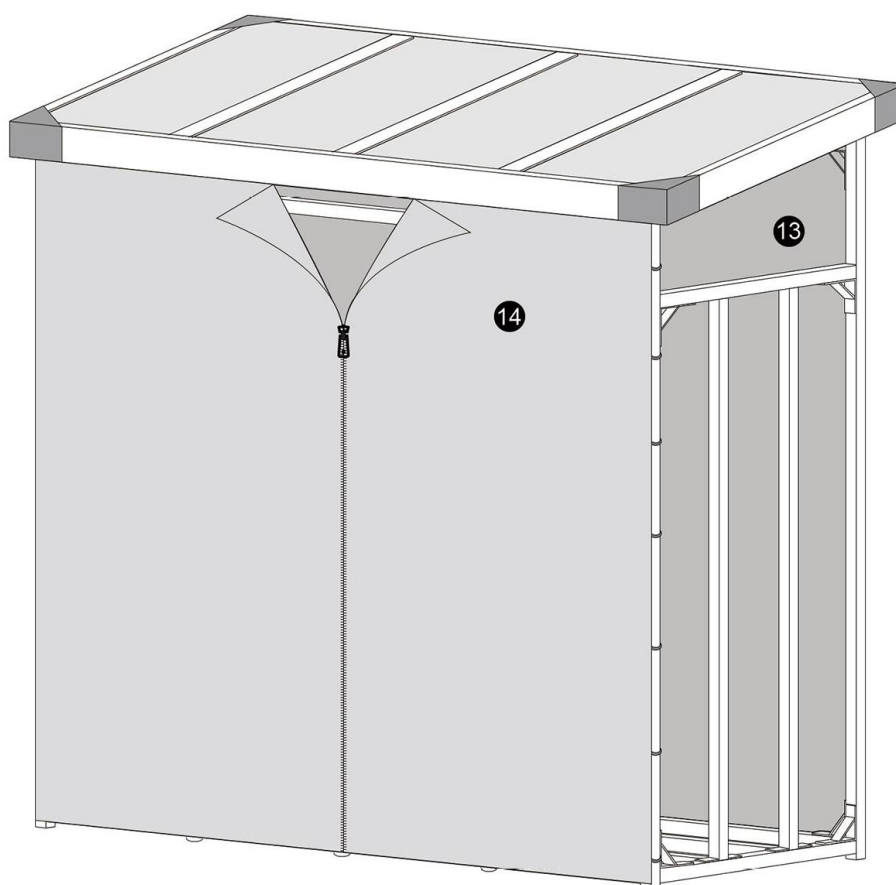
Step 7



Step 8



Step 9



Step 10

Important Note: Reproduction and any commercial use (of parts) of this operating manual, requires a written permission of WilTec Wildanger Technik GmbH.