

# User's Manual

## Foldable Saw Horse

63857, 63858

# wiltec



Illustration similar, may vary depending on model

Read and follow the operating instructions and safety information before using for the first time.

Technical changes reserved!

Illustrations, functional steps, and technical data may deviate insignificantly due to continuous further developments.

Updating the documentation

If you have suggestions for improvement or have found any irregularities, please contact us.



The information contained in this document may alter at any time without prior notice. No part of this document may be copied or otherwise duplicated without prior written consent. All rights reserved. WilTec Wildanger Technik GmbH cannot be held liable for any possible mistakes in this operating manual, nor in the diagrams and illustrations shown.

Although WilTec Wildanger Technik GmbH has made every possible effort to ensure that this operating manual is complete, accurate, and up-to-date, errors cannot be ruled out entirely.

If you have found an error or wish to suggest an improvement, we look forward to hearing from you. Send us an e-mail to:

[service@wiltec.info](mailto:service@wiltec.info)

or use our contact form:

<https://www.wiltec.de/contacts/>

The most recent version of this manual in several languages can be found in our online shop:

<https://www.wiltec.de/docsearch>

Our postal address is:

WilTec Wildanger Technik GmbH  
Königsbenden 12  
52249 Eschweiler – Germany

To return your goods for exchange, repair, or other purposes, please use the following address. Attention! To allow for a trouble-free complaint or return, it is important to contact our customer service team before returning your goods.

Retourenabteilung  
WilTec Wildanger Technik GmbH  
Königsbenden 28  
52249 Eschweiler – Germany

E-mail: **service@wiltec.info**

Tel: +49 2403 55592-0

Fax: +49 2403 55592-15

## Introduction

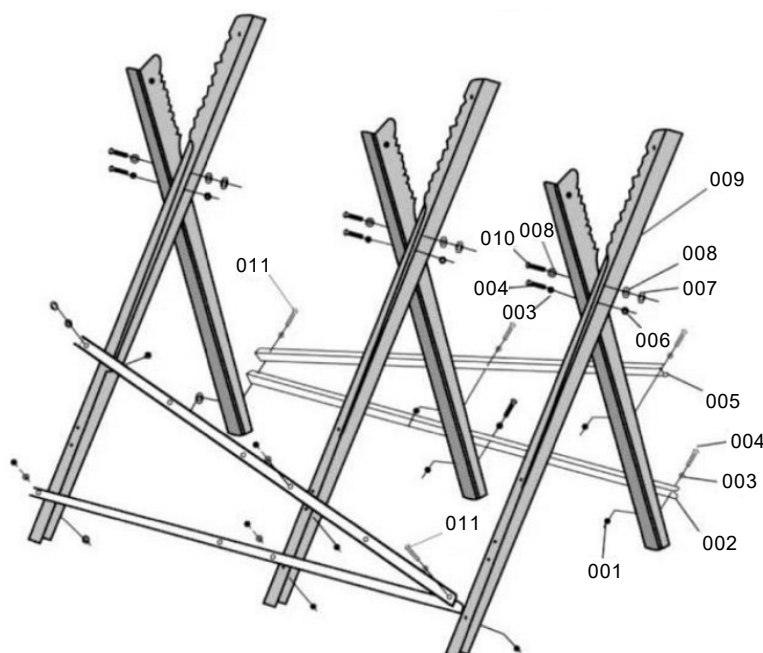
Thank you for choosing to purchase this quality product. To minimise the risk of injury, we ask you to always take some basic safety precautions when using this product. Please read this operating manual carefully and make sure that you understand it.

Keep these operation instructions in a safe place.

## Safety instructions

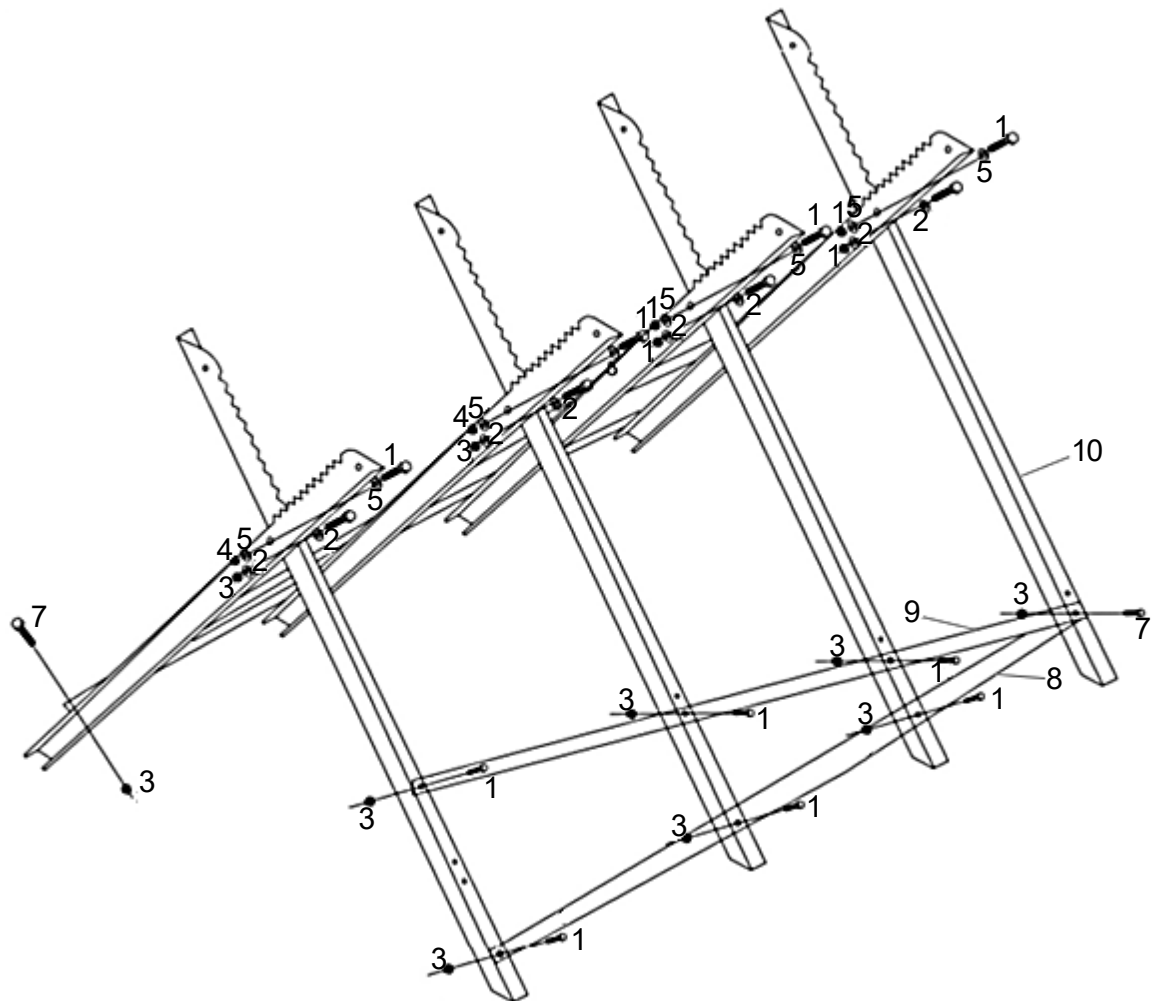
- Before use, check the device for completeness and functionality.
- Do not use the saw horse if it is damaged or inoperable.
- Only ask a qualified person to check the saw horse if this is damaged.
- Never climb on the saw horse.
- Always fully concentrate on what you are doing and work with care.
- Never apply excessive force when using the device.
- Always make sure that the workplace is well-lit.

## Assembly 63857



Nº	Name	Quantity
1	Nut (M6)	10
2	Strut (4 holes)	2
3	Washer (6 mm)	11
4	Cross-head screw (M6×12)	11
5	Cross bracing (6 holes)	2
6	Safety nut (M6)	11
7	Safety nut (M8)	3
8	Washer (8 mm)	3
9	Legs	6
10	Hex bolt (M8×18)	3
11	Hex bolt (M6×35)	2

Assembly 63858



No	Name	Quantity
1	Cross-head screw (M6×12)	16
2	Washer (M6)	18
3	Nut (M6)	18
4	Nut (M8)	4
5	Washer (M8)	8
6	Hex bolt (M8×16)	4
7	Hex bolt (M6×35)	2
8	Strut	2
9	Cross bracing	2
10	Legs	8

Important Note:

Reproduction and any commercial use (of parts) of this operating manual, requires a written permission of WilTec Wildanger Technik GmbH.