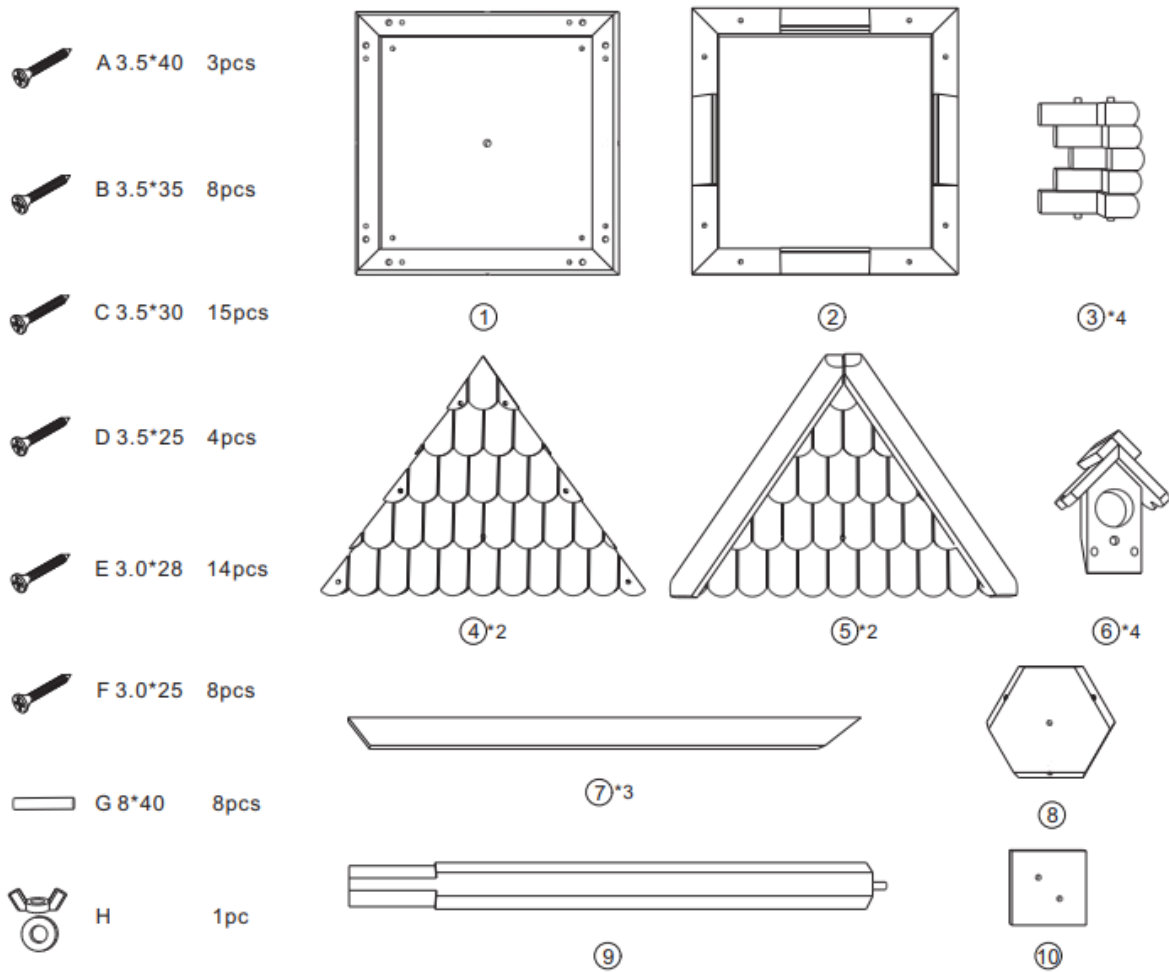
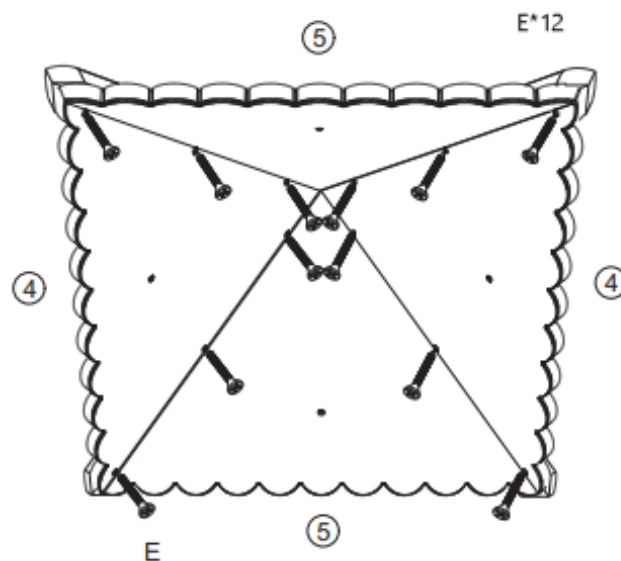




63877 – Bird Feeder

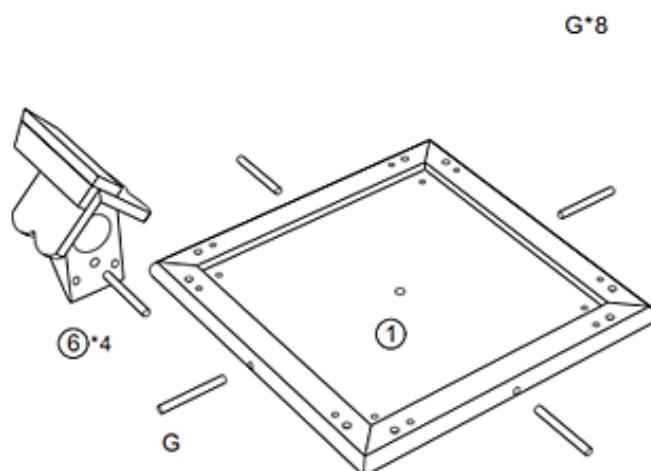


Step 1

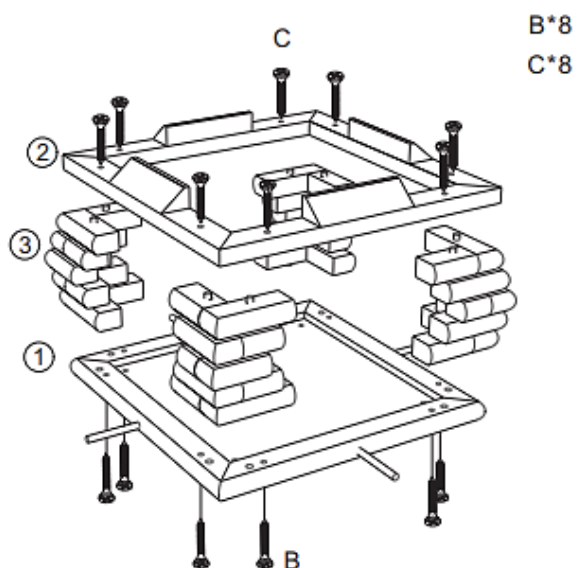




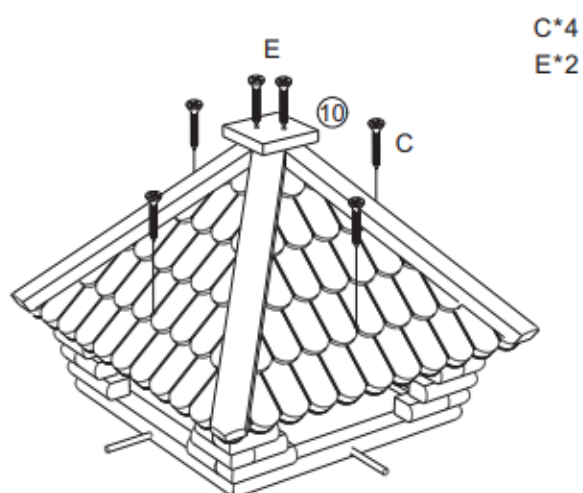
Step 2



Step 3



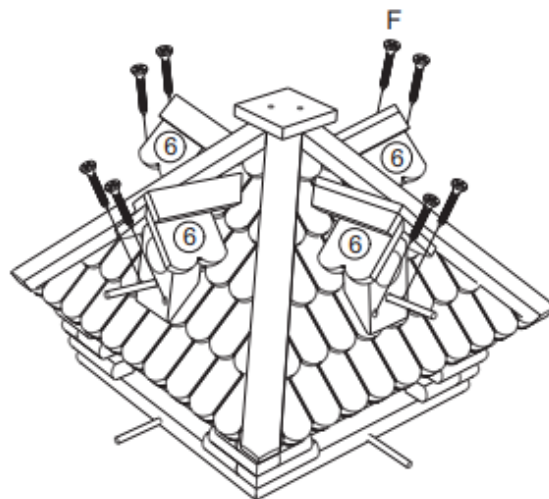
Step 4



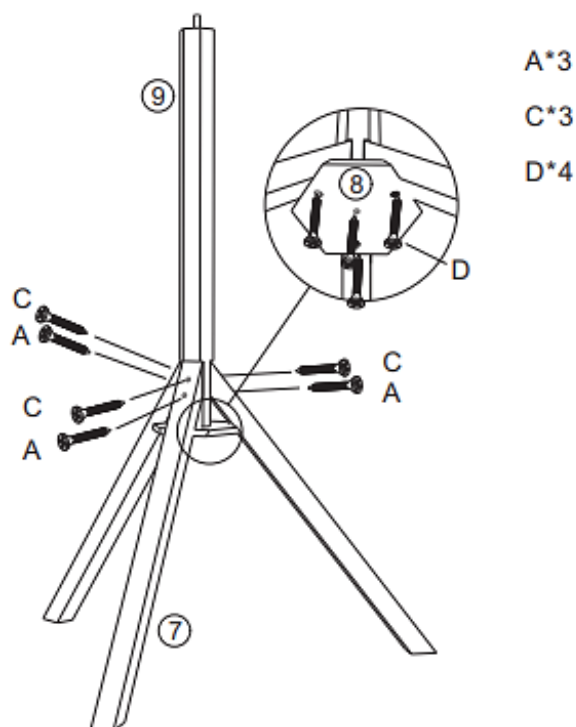


Step 5

F*8

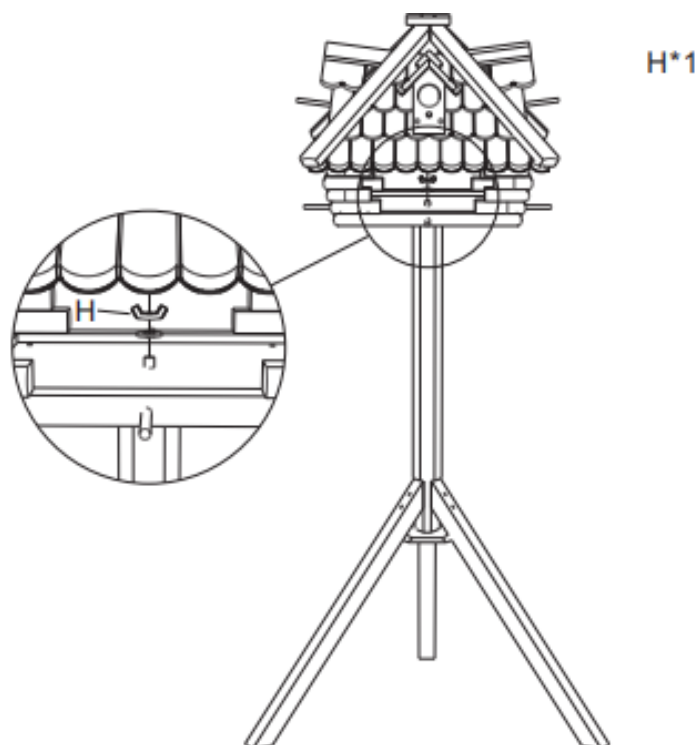


Step 6





Step 7



Step 8



Important Note:

Reproduction and any commercial use (of parts) of this operating manual, requires a written permission of WilTec Wildanger Technik GmbH.