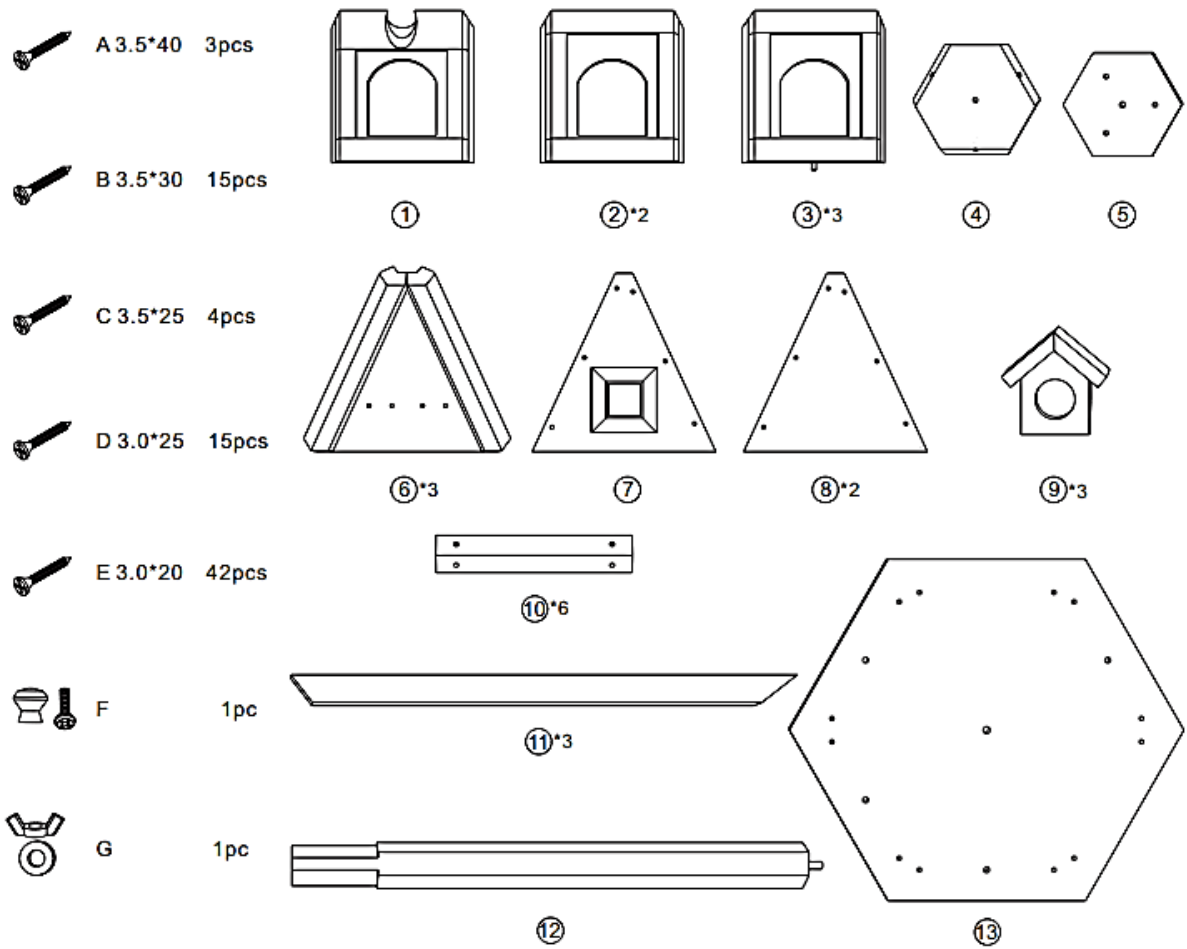
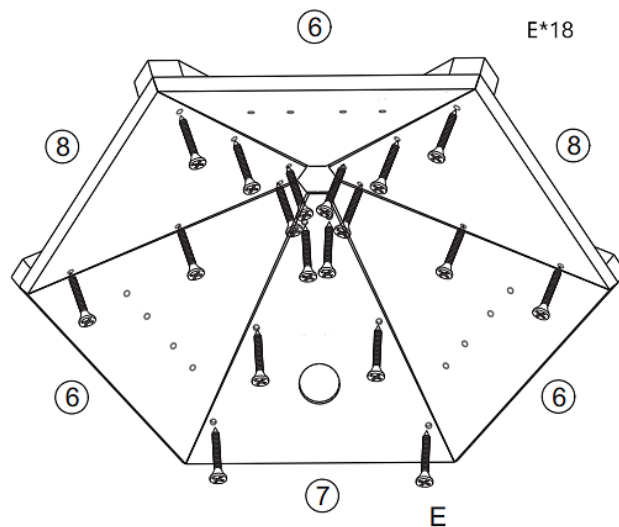




63878 – Bird Feeder



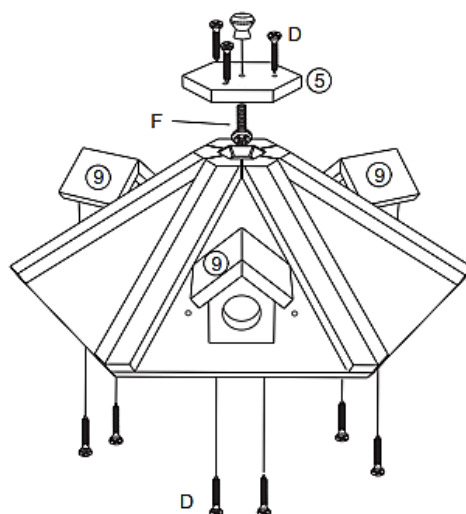
Step 1





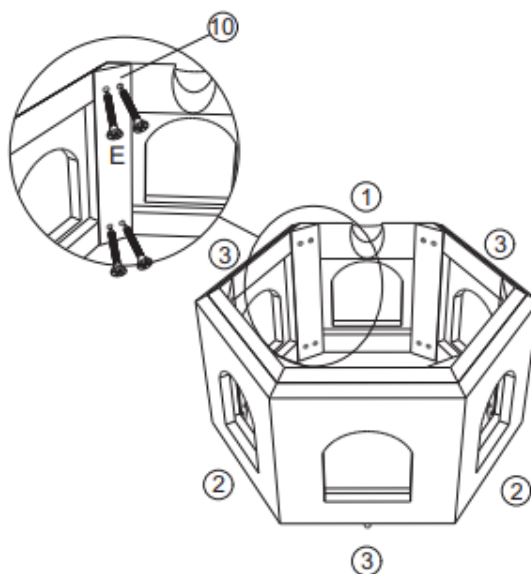
Step 2

D*9
F*1



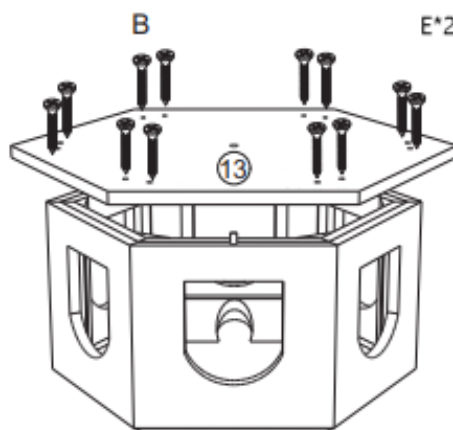
Step 3

E*24



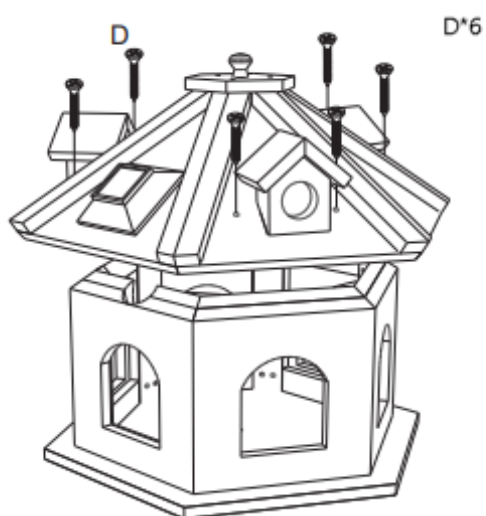
Step 4

E*24

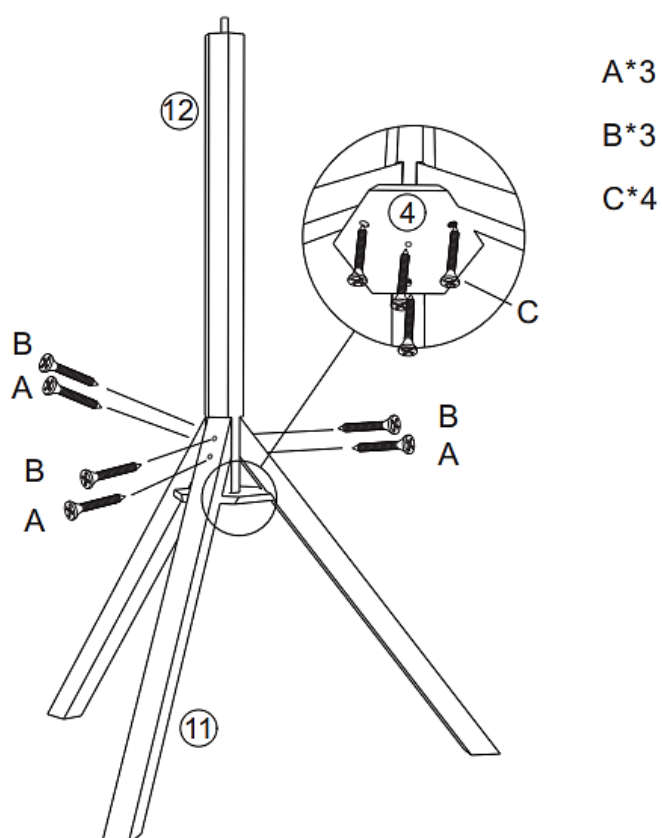




Step 5

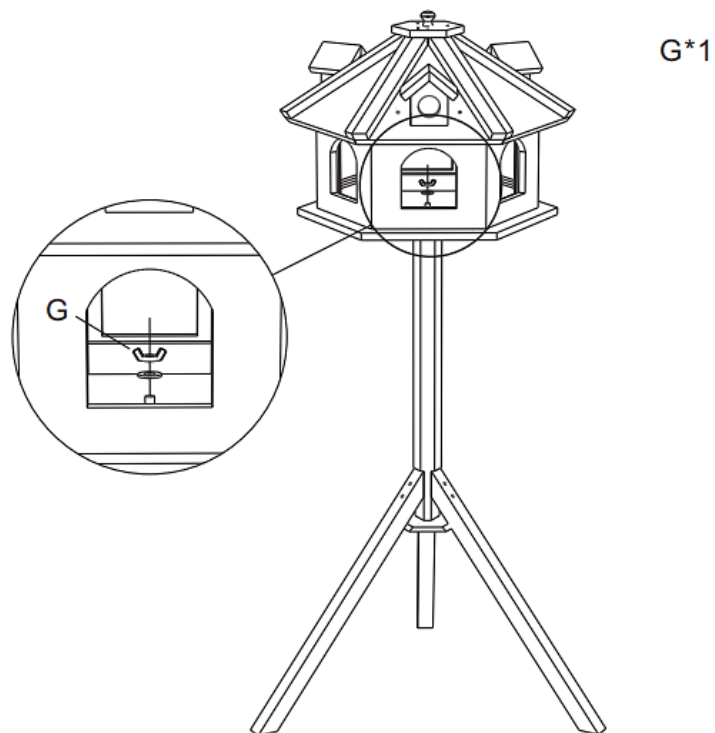


Step 6

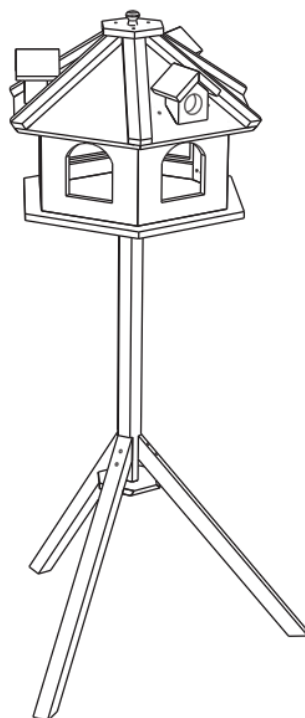




Step 7



Step 8



Important Note:

Reproduction and any commercial use (of parts) of this operating manual, requires a written permission of WilTec Wildanger Technik GmbH.