

# User's manual

## Drywall Panel Hoist

64205

# wiltec



Illustration similar, may vary depending on model

Read and follow the operating instructions and safety information before using for the first time.

Technical changes reserved!

Illustrations, functional steps, and technical data may deviate insignificantly due to continuous further developments.

Updating the documentation

If you have suggestions for improvement or have found any irregularities, please contact us.



The information contained in this document may alter at any time without prior notice. No part of this document may be copied or otherwise duplicated without prior written consent. All rights reserved. WilTec Wildanger Technik GmbH cannot be held liable for any possible mistakes in this operating manual, nor in the diagrams and illustrations shown.

Although WilTec Wildanger Technik GmbH has made every possible effort to ensure that this operating manual is complete, accurate, and up-to-date, errors cannot be ruled out entirely.

If you have found an error or wish to suggest an improvement, we look forward to hearing from you. Send us an e-mail to:

[service@wiltec.info](mailto:service@wiltec.info)

or use our contact form:

<https://www.wiltec.de/contacts/>

The most recent version of this manual in several languages can be found in our online shop:

<https://www.wiltec.de/docsearch>

Our postal address is:

WilTec Wildanger Technik GmbH  
Königsbenden 12  
52249 Eschweiler – Germany

To return your goods for exchange, repair, or other purposes, please use the following address. Attention! To allow for a trouble-free complaint or return, it is important to contact our customer service team before returning your goods.

Retourenabteilung  
WilTec Wildanger Technik GmbH  
Königsbenden 28  
52249 Eschweiler – Germany

E-mail: **service@wiltec.info**

Tel: +49 2403 55592-0

Fax: +49 2403 55592-15



## Introduction

Thank you for choosing to purchase this quality product. To minimise the risk of injury, we ask you to always take some basic safety precautions when using this product. Please read this operating manual carefully and make sure that you understand it. Keep these operation instructions in a safe place.

## Proper use

- The drywall lift allows one person to lift a drywall panel that is up to 75 × 175 cm in size without assistance. The panel can be raised to a maximum height of 330 cm for attachment to level ceilings or (with the cradle of the lift tilted) to sloped ceilings or side walls.
- The cradle of the lift lowers to 190 cm off the floor for easy panel loading, and can support up to 68 kg.
- This manual explains the assembly, use, and disassembly of the dry wall lift after use for safe transport and simple storage. We strongly recommend our clients to obey the instructions and information for use before using the drywall lift.

## Important instructions



### **ATTENTION!**

To protect yourself against serious injury, use common sense and observe the following precautions when operating the dry-wall lift.

### **ALWAYS:**

- read the instructions before use and make sure to respect all warnings.
- check the lift before daily use, especially the cable.
- assimilate the lift to the room temperature before beginning to work (movement from a cold to a warm room may cause condensations that can impair the effect of the brake).
- make sure that the brake drum is clean and dry before using the lift.
- keep the work area free of obstacles.
- wear a hard hat when working with the lift.
- pay attention for hanging obstacles when lifting a panel.

### **NEVER:**

- use the lift in case the traverse fixation is not secured with its fastening springs.
- use the lift for any objects but drywall panels.
- lift more than one panel at the same time.
- lift more than 68 kg (150 lbs).



## Assembly

### Main components

The drywall lift is shipped as several components that must be assembled before use:

- Frame assembly
- frame assembly, including a lever assembly and telescoping unit
- cradle assembly, without its detachable crossarms
- two cradle crossarm assemblies

**ATTENTION!**

- Always wear a hard hat and protective goggles.
- Max. lifting charge: 68 kg
- Never exceed the max. lifting charge.
- A damaged, worn, or improperly mounted cable may cause severe injuries or damages. Check cable before each use. Immediately replace a damaged cable.
- Only one drywall panel can be lifted onto the lift at once.
- Store all components of the drywall lift in a dry environment.
- Thoroughly read the instructions for use before operating the drywall panel lift.

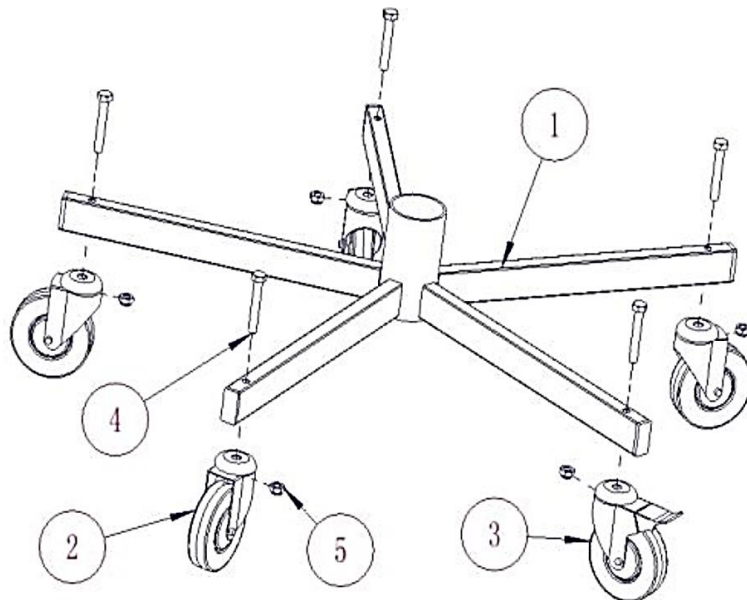
### Parts list

№	Description	Qty.
1	Tripod base assembly	1
2	Rollers without brake	4
3	Roller with brake	1
4	Hexagon bolt M10×65	5
5	Hexagon safety nut M10	5
6	Holder 1	2
7	Holder 2	1
8	Hexagon bolt M8×30	2
9	Washer 8 N	2
10	Hexagon safety nut M8	2
11	Frame	1
12	Hexagon bolt M6×35	1
13	Hexagon safety nut M6	1

## Assembly

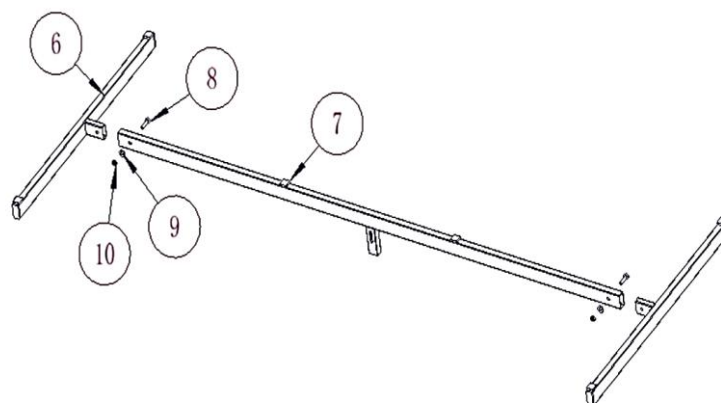
### *Assembling the base group with rollers*

Using the hexagon bolts **(4)**, fix the rollers **(2 + 3)** to the base group. Secure the hexagon bolts with the hexagon safety nuts **(5)** (see fig.).



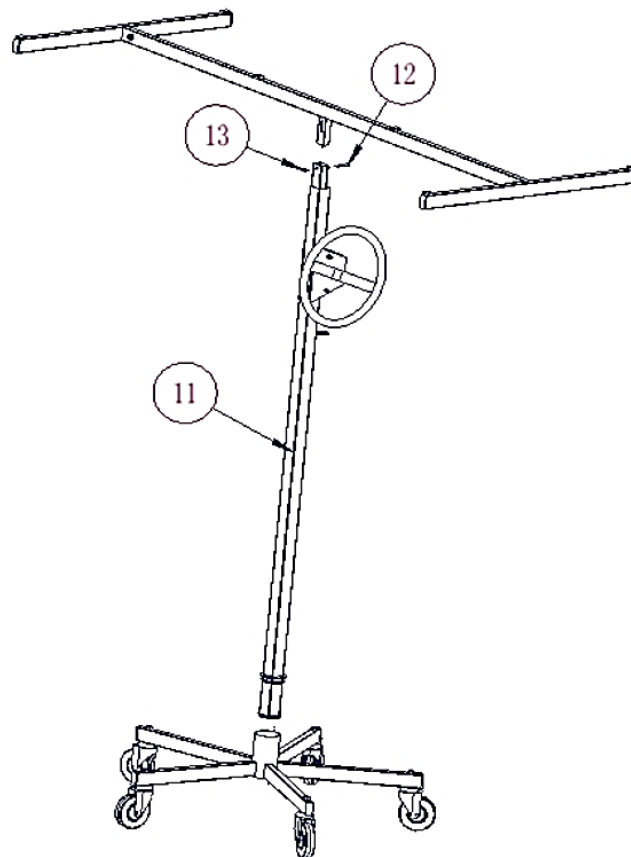
### *Assembling the holder*

Assemble the holder **(6 + 7)** as shown and secure the parts with the help of the hexagon bolts **(8)**, washers **(9)**, and hexagon safety nuts **(10)**.



### *Final assembly*

Set the holder assembled (parts 6 and 7) into the frame **(11)**, then secure the parts with the help of the hexagon bolt **(12)** and hexagon safety nut **(13)**. After that, the upper part of the hoist is set into the base group (see fig.).



Important note:

Reproduction and any commercial use (of parts) of this operating manual, requires a written permission of WilTec Wildanger Technik GmbH.