

User's manual

Drywall Panel Hoist

64206

wiltec



Illustration similar, may vary depending on model

Read and follow the operating instructions and safety information before using for the first time.

Technical changes reserved!

Illustrations, functional steps, and technical data may deviate insignificantly due to continuous further developments.

Updating the documentation

If you have suggestions for improvement or have found any irregularities, please contact us.



The information contained in this document may alter at any time without prior notice. No part of this document may be copied or otherwise duplicated without prior written consent. All rights reserved. WilTec Wildanger Technik GmbH cannot be held liable for any possible mistakes in this operating manual, nor in the diagrams and illustrations shown.

Although WilTec Wildanger Technik GmbH has made every possible effort to ensure that this operating manual is complete, accurate, and up-to-date, errors cannot be ruled out entirely.

If you have found an error or wish to suggest an improvement, we look forward to hearing from you. Send us an e-mail to:

service@wiltec.info

or use our contact form:

<https://www.wiltec.de/contacts/>

The most recent version of this manual in several languages can be found in our online shop:

<https://www.wiltec.de/docsearch>

Our postal address is:

WilTec Wildanger Technik GmbH
Königsbenden 12
52249 Eschweiler – Germany

To return your goods for exchange, repair, or other purposes, please use the following address. Attention! To allow for a trouble-free complaint or return, it is important to contact our customer service team before returning your goods.

Retourenabteilung
WilTec Wildanger Technik GmbH
Königsbenden 28
52249 Eschweiler – Germany

E-mail: **service@wiltec.info**

Tel: +49 2403 55592-0

Fax: +49 2403 55592-15



Introduction

Thank you for choosing to purchase this quality product. To minimise the risk of injury, we ask you to always take some basic safety precautions when using this product. Please read this operating manual carefully and make sure that you understand it.

Keep these operation instructions in a safe place.

Proper use

- The drywall lift allows one person to lift a drywall panel that is up to 75 × 175 cm in size without assistance. The panel can be raised to a maximum height of 330 cm for attachment to level ceilings or (with the cradle of the lift tilted) to sloped ceilings or side walls.
- The cradle of the lift lowers to 196 cm off the floor for easy panel loading, and can support up to 68 kg.
- This manual explains the assembly, use, and disassembly of the dry wall lift after use for safe transport and simple storage. We strongly recommend our clients to obey the instructions and information for use before using the drywall lift.

Important instructions



ATTENTION!

To protect yourself against serious injury, use common sense and observe the following precautions when operating the dry-wall lift.

ALWAYS:

- read the instructions before use and make sure to respect all warnings.
- check the lift before daily use, especially the cable.
- assimilate the lift to the room temperature before beginning to work (movement from a cold to a warm room may cause condensations that can impair the effect of the brake).
- make sure that the brake drum is clean and dry before using the lift.
- keep the work area free of obstacles.
- wear a hard hat when working with the lift.
- pay attention for hanging obstacles when lifting a panel.

NEVER:

- use the lift in case the traverse fixation is not secured with its fastening springs.
- use the lift for any objects but drywall panels.
- lift more than one panel at the same time.
- lift more than 68 kg (150 lbs).



Assembly

Main components

The drywall lift is shipped as several components that must be assembled before use:

- Frame assembly
- frame assembly, including a lever assembly and telescoping unit
- cradle assembly, without its detachable crossarms
- two cradle crossarm assemblies

ATTENTION:

- Always wear a hard hat and protective goggles.
- Max. lifting charge: 68 kg
- Never exceed the max. lifting charge.
- A damaged, worn, or improperly mounted cable may cause severe injuries or damages. Check cable before each use. Immediately replace a damaged cable.
- Only one drywall panel can be lifted onto the lift at once.
- Store all components of the drywall lift in a dry environment.
- Thoroughly read the instructions for use before operating the drywall panel lift.

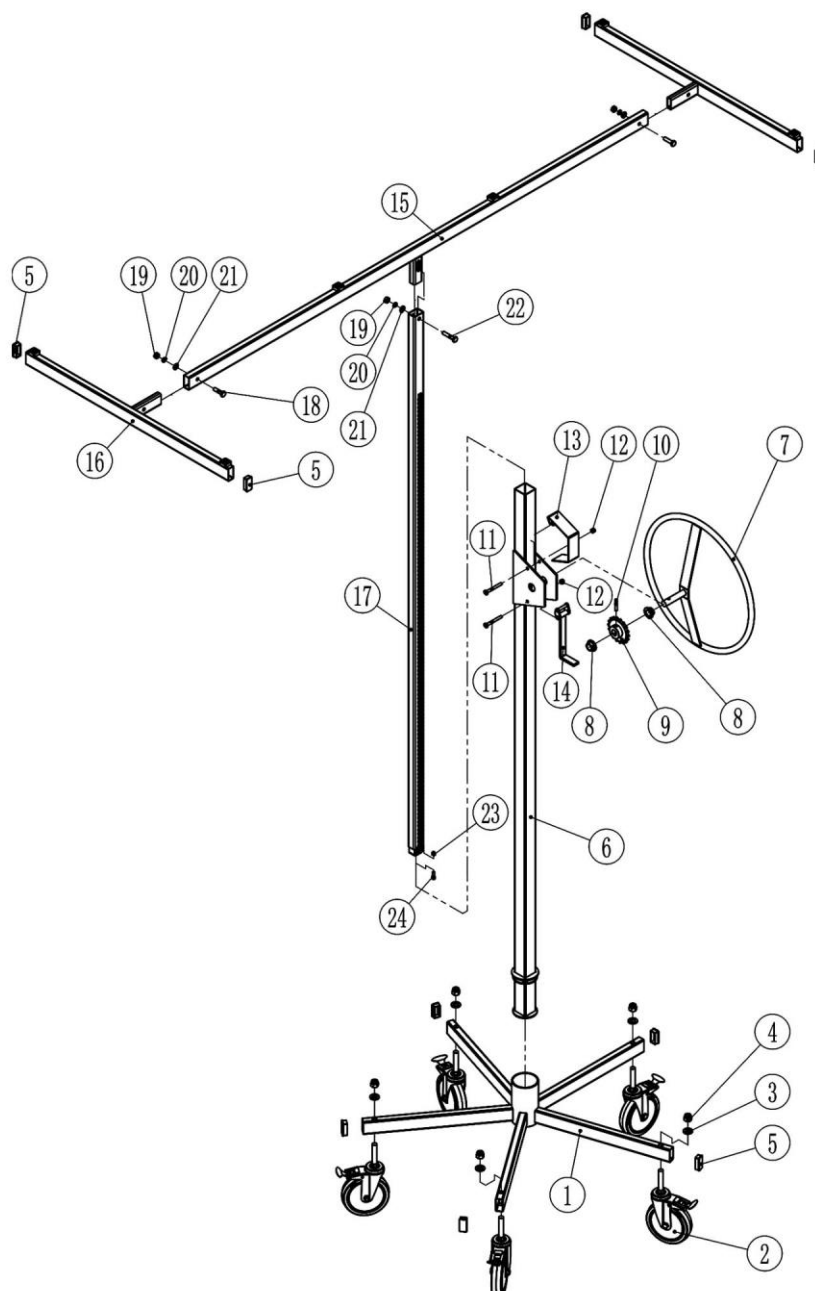
Use

To lift, turn the turning wheel clockwise. Insert the locking bolts into the corresponding holes to secure the traverse.

To lower the traverse, proceed as follows:

1. Keep the wheel with the left hand. Turn the wheel slightly counter-clockwise and at the same time slide the brake handle upwards to unlock the brake.
Warning! The traverse will lower automatically after you have let go the brake. Keep the turning wheel well to allow the traverse to lower safely.
2. To lower the traverse completely, remove the locking bolt.
3. Secure the panel with the help of the hook at the end of the traverse.
4. Before lifting, insert the locking bolt into the corresponding holes.

Exploded view and parts list



| Nº | Description | Qty. | Nº | Description | Qty. |
|----|-------------------------|------|----|-----------------------------|------|
| 1 | Tripod base assembly | 1 | 13 | Latch | 1 |
| 2 | Wheel | 5 | 14 | Bracket | 1 |
| 3 | Washer $\varnothing 12$ | 5 | 15 | Traverse | 1 |
| 4 | Nut M12 | 5 | 16 | Extension | 2 |
| 5 | End cap | 9 | 17 | Telescopic unit, inner part | 1 |
| 6 | Frame | 1 | 18 | Bolt M8×30 | 2 |
| 7 | Hand wheel | 1 | 19 | Nut M8 | 3 |



| | | | | | |
|-----------|------------------|---|-----------|------------------|---|
| 8 | Spacer | 2 | 20 | Rubber washer ø8 | 3 |
| 9 | Gear wheel | 4 | 21 | Washer ø8 | 3 |
| 10 | Elastic pin 6×35 | 1 | 22 | Bolt M8×40 | 1 |
| 11 | Bolt M6×55 | 2 | 23 | Nut M5 | 1 |
| 12 | Nut M6 | 2 | 24 | Bolt M5×16 | 1 |

Important note:

Reproduction and any commercial use (of parts) of this operating manual, requires a written permission of WilTec Wildanger Technik GmbH.