

User's manual

Controllable SuperECO Pond Pump CET-26000, CET-30000, CET-35000

64248-64250



Illustration similar, may vary depending on model

Please read and follow the operating instructions and safety information prior to initial operation.

Technical changes reserved!

Illustrations, functional steps, and technical data may deviate insignificantly due to continuous further developments.



The information contained in this document may alter at any time without prior notice. No part of this document may be copied or otherwise duplicated without prior written consent. All rights reserved.

WilTec Wildanger Technik GmbH cannot be held liable for any possible mistakes in this operating manual, nor in the diagrams and illustrations shown.

Although WilTec Wildanger Technik GmbH has made every possible effort to ensure that this operating manual is complete, accurate, and up-to-date, errors cannot be ruled out entirely.

If you have found an error or wish to suggest an improvement, we look forward to hearing from you.

Send us an e-mail to:

service@wiltec.info

or use our contact form:

<https://www.wiltec.de/contacts/>

The most recent version of this manual in several languages can be found in our online shop:

<https://www.wiltec.de/docsearch>

Our postal address is:

WilTec Wildanger Technik GmbH
Königsbenden 12
52249 Eschweiler – Germany

To return your goods for exchange, repair, or other purposes, please use the following address. Attention! To allow for a trouble-free complaint or return, it is important to contact our customer service team before returning your goods.

Retourenabteilung
WilTec Wildanger Technik GmbH
Königsbenden 28
52249 Eschweiler – Germany

E-mail: **service@wiltec.info**

Tel: +49 2403 55592-0

Fax: +49 2403 55592-15




Introduction

Thank you for choosing to purchase this quality product. To minimise the risk of injury, we ask you to always take some basic safety precautions when using this product. Please read this operating manual carefully and make sure that you understand it. Keep these operation instructions in a safe place.

Unpacking the item

Should the item be damaged, inform your vendor.

Safety instructions

- For your own safety, contact a qualified electrician if you have any questions or problems.
- If not all parts are installed, do not connect the device to the mains.
- Only connect the pump to an isolated ground receptacle (one that is earthed). This kind of socket must correspond to the respective national regulations. Make sure that the PE line ("protected earth") leads continuously to the pump.
- Make sure that the voltage of the pump and mains match.
- Electric installations of garden pumps must correspond to the national and international regulations.
- Only operate the pump when there is nobody in the water.
- Neither carry nor pull the pump at its cable; the cable must neither become too hot nor be guided over sharp edges.
- The pump must not be operated if the cable or housing is damaged.
- The pump must only get into contact with water, not with other liquids.
-  **Attention:** The pump switches off automatically if there is an overvoltage or if the pump runs dry.
- The control unit is not watertight. Therefore, it must be at a dry and well-ventilated spot.
- Do not open this device in a damp or wet area or with yourself being wet and protect it from direct sunlight.
- Install the device in a safe place so that nobody can walk on the cables, fall over them, and/or damage them. Make for sufficient cooling by ambient air and avoid any heat build-up.
- Before cleaning the device, pull out the plug and only use a damp cloth for cleaning. Avoid using cleaning agents and make sure that liquids cannot enter the device.
- The inner parts of the device do not contain components requiring maintenance by the user. Leave all maintenance, control, and repair works to a qualified person. In case of unqualified intervention, the 2-year warranty will expire.

Use


For use in ponds, rockeries, aquaria, or sea-fruit aquaria.

Properties

- Saves energy thanks to new electronic frequency-conversion technology
- Large flow rate
- Stable stainless-steel filter housing
- Five curved housings to avoid obstructions
- Wear-proof and rust-proof ceramic shaft
- Usable for both soft water and saltwater

- Equipped with anti-blocking system and anti-dry-running feature (immediate automatic shut-off when rotor is blocked or pump is running dry)

Installation

1. Contact your vendor in case of external damages.
2. Compare the voltage and frequency of the mains with the specifications found on the nameplate of the device; these data must match.
3. If necessary, connect the pipes (**Caution:** The pipe system must not have bubbles).
4.  **Attention:** The pump must be installed at a min. height of 20 cm beneath the water surface. The installation spot of the pump must be solid to always hold the pump at the same height.
5. Do not install the pump immediately in the mud of the bottom of the pond; place it above the mud.
6. Plug in the plug to the mains.

Maintenance/cleaning

First, disconnect the device from the mains. Regular cleaning of the filter housing, pump impeller, rotor, and the parts of the shaft is essential.



1. Use a hexagon wrench to untighten the 4 screws of the filter baskets (see Fig. 1) and the two screws of the base plate (see Fig. 2); then, take the filter basket and base plate off. The Figure 3 shows the complete device.
2. Use a hexagon wrench to untighten the 4 screws of the impeller chamber (see Fig. 4) and to remove the impeller chamber (see Fig. 5).
3. Remove the rotor. Now, you may clean or replace the parts.

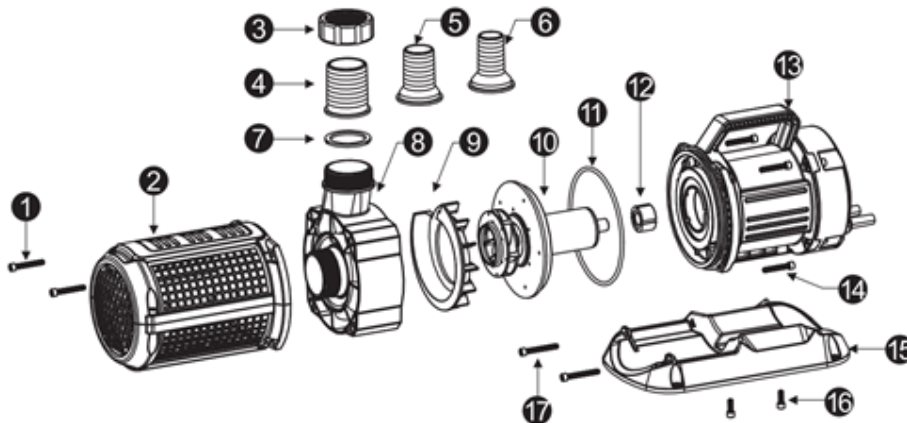
If the pump will not be used during a longer period, operate it shortly in clean water before rinsing it under fresh water. Then, the pump must dry off and be stored in a dry spot.

If the water temperature falls below 0 °C, the pump must be switched off immediately to avoid any damage.

Troubleshooting

Problem	Reason	Solution
Pump does not work	No energy	Connect to mains.
	Pump burnt	Replace pump.
	Delayed operation of impeller	Clean and re-connect.
	Dry running	Top up with water and re-connect.
	No connection to control unit	Re-connect to control unit.
	Control unit damaged	Replace control unit.
Noise during operation	Dirt inside	Clean pump.
	Broken or worn shaft	Replace shaft.
Lack of water	Impeller damaged	Replace impeller.
	Obstruction of intake/outlet	Clean intake/outlet.
	Obstruction of filter housing	Clean filter housing.
	Low voltage	Adjust voltage.

Exploded view and parts list



No	Name	No	Name
1	Filter basket	10	Rotor
2	Cap nut	11	O-ring
3	Outlet 1	12	Bearing
4	Outlet 2	13	Housing
5	Outlet 3	14	Screw M6x35
6	Filter basket	15	Base plate
7	Gasket	16	Screw M6x16
8	Rotor chamber	17	Screw M6x45
9	Impeller cover		


Technical specifications

Item number	64248	64249	64250
Properties			
Model	CET-26000	CET-30000	CET-35000
Power supply	220–240 V/50 Hz		
Power (W)	330	400	450
Flow rate ($\frac{l}{h}$)	26000	30000	35000
Max. lifting height (m)	9.5	11	12
Hose connection (mm)	32/38/50		

Regulations for waste disposal

The Waste Electrical and Electronic Equipment Directive (WEEE Directive, 2012/19/EU) of the EU was implemented in the German law related to electrical and electronic equipment and appliances.

All WilTec electric devices that fall under the WEEE directive are labelled with the symbol of a crossed-out wheeled rubbish bin. This symbol indicates that this electric device must not be disposed of with the domestic waste.

WilTec Technik GmbH is registered with the German registration authority EAR (Stiftung Elektro-Altgeräte Register) under the WEEE-registration number DE45283704.

Disposal of used electrical and electronic devices (intended for use in the countries of the European Union and other European countries with a separate waste collection system for these devices).

The symbol on the packaging or the product itself indicates that this product must not be treated as normal domestic waste but must be disposed of at a recycling collection station for electrical and electronic waste.

By disposing of this product correctly, you contribute to the protection of the environment and the health of your fellow people. Inappropriate disposal threatens the environment and health.



Material recycling helps to reduce the consumption of raw materials.

Additional information about the recycling of this product can be provided by your local commune, the municipal waste disposal facilities, or the store where you purchased the product.

Address:
 WilTec Wildanger Technik GmbH
 Königsbenden 12 / 28
 52249 Eschweiler Germany

Important note:

Reproduction and any commercial use (of parts) of this operating manual, requires a written permission of WilTec Wildanger Technik GmbH.