

Operating instructions

Foldable Transport Trolley

64252



Illustration similar, may vary depending on model

Please read and follow the operating instructions and safety information prior to initial operation.

Technical changes reserved!

Illustrations, functional steps, and technical data may deviate insignificantly due to continuous further developments.



The information contained in this document may alter at any time without prior notice. No part of this document may be copied or otherwise duplicated without prior written consent. All rights reserved. WilTec Wildanger Technik GmbH cannot be held liable for any possible mistakes in this operating manual, nor in the diagrams and illustrations shown.

Although WilTec Wildanger Technik GmbH has made every possible effort to ensure that this operating manual is complete, accurate, and up-to-date, errors cannot be ruled out entirely.

If you have found an error or wish to suggest an improvement, we look forward to hearing from you. Send us an e-mail to:

service@wiltec.info

or use our contact form:

<https://www.wiltec.de/contacts/>

The most recent version of this manual in several languages can be found in our online shop:

<https://www.wiltec.de/docsearch>

Our postal address is:

WilTec Wildanger Technik GmbH
Königsbenden 12
52249 Eschweiler – Germany

To return your goods for exchange, repair, or other purposes, please use the following address. Attention! To allow for a trouble-free complaint or return, it is important to contact our customer service team before returning your goods.

Retourenabteilung
WilTec Wildanger Technik GmbH
Königsbenden 28
52249 Eschweiler – Germany

E-mail: **service@wiltec.info**
Tel: +49 2403 55592-0
Fax: +49 2403 55592-15



Introduction

Thank you for choosing to purchase this quality product. To minimise the risk of injury, we ask you to always take some basic safety precautions when using this product. Please read this operating manual carefully and make sure that you understand it. Keep these operation instructions in a safe place.

Safety instructions

- The exact abidance by the safety instructions and information of this user's manual is a prerequisite of the user's ability to use the trolley correctly. Any deviation from them is to be considered as improper use, potentially leading to damages and injuries. Any improper use of the trolley will void the warranty. Both the owner and user of the trolley are responsible for damages and injuries resulting from improper use.
- Before using the trolley, attach the castors accordingly to the instructions. The self-locking nuts avoid that the screw connections untighten whenever the trolley is pushed over uneven surfaces. However, it is strongly recommended to regularly check the nuts for tightness. Re-tighten them if necessary.
- Especially after the first attachment of the castors, the wheels must be checked thoroughly for you to be able to make sure that they are well-tight.
- If the screw connections should be untightened, apply new safety nuts to reinstall them.
- The profiles slidable one in another have a little oil film at delivery. Do not clean them with solvents. Depending on the frequency of use of the trolley, a new film should be applied from time to time. For this purpose, a lint-free cloth with a small quantity of machine oil is used to rub the profiles.
- This transport trolley is only designed for transporting goods. It is not allowed to use it for transporting persons.

Scope of delivery

- Pre-assembled transport unit (with handle unit folded together)
- Two swivelling castors with locking feature, \varnothing 100 mm, 120 mm construction height, with fixtures
- Two fixes castors, \varnothing 100 mm, 120 mm construction height, with fixtures
- Assembly instructions
- Operating instructions

Technical specifications

Permissible max. load (kg)		150
Dimensions (folded together) (mm)		550 × 420 × 230
Height of handle (extracted) (mm)		950
Useful dimensions of trolley bed (mm)	contracted	410 × 420
	extended	625 × 420
Dimensions of castors (mm)		100 (\varnothing) × 120 (construction height)

Pre-assembling notes

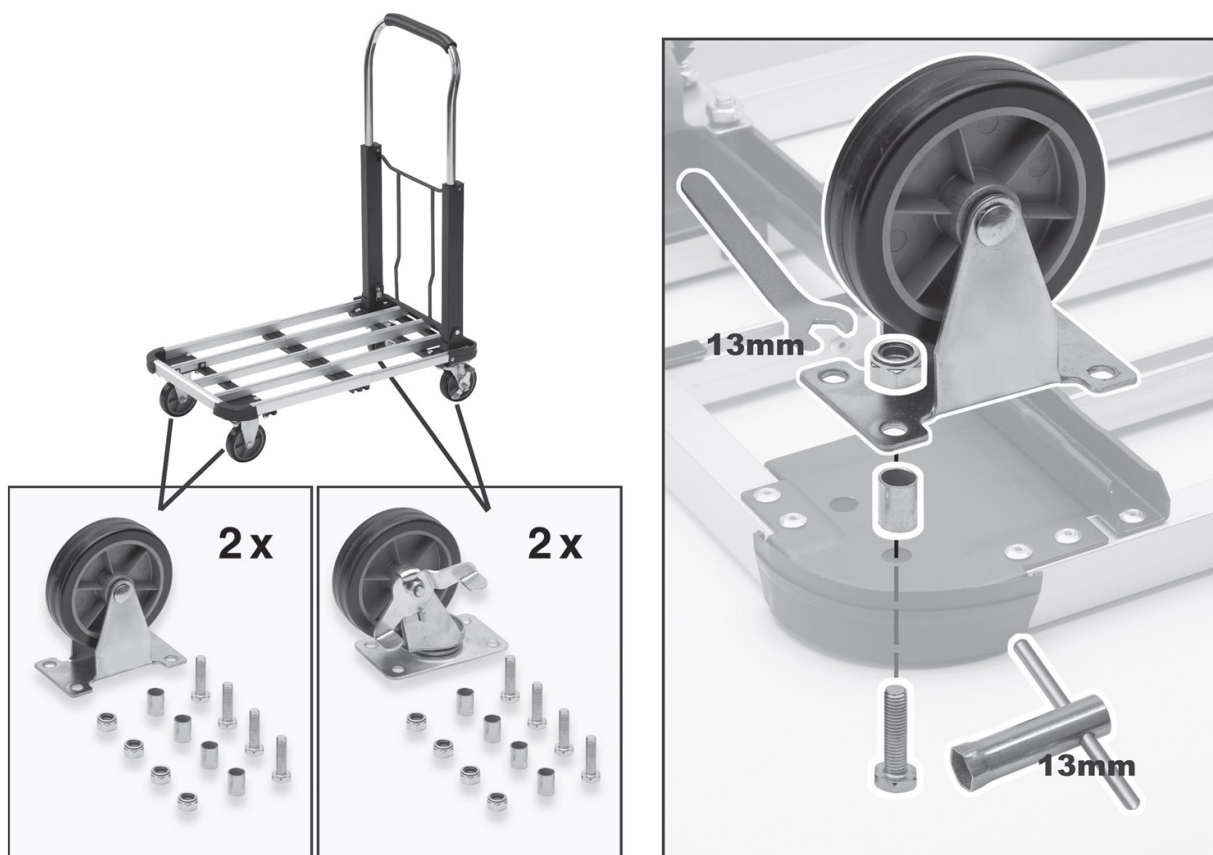
Trolley bed

- The trolley bed consists of two nested profiles slid one in another, that are made up of five long profiles. The special cross section of these profiles allows a high payload, even when the trolley is extended.
- The useful dimension of the trolley bed contracted is 410 × 420 mm. Extended, it is by 50 % larger, adopting a size of 625 × 420 mm. The safety bracket prevents the accidental extension of the trolley after it has been contracted.

Handle unit

- The handle unit is made of two square tubes and one extendable handle, that can be slid into these tubes. The handle is covered with contaminant-free foam.
- A frame consisting of angled profiles blocks or un-blocks the handle, in upright and in extended position. To un-block the handle or to set it in the horizontal position, this profile frame is pressed down.
- Two springs press the frame back to the resting position. In the upright and extended position, the handle unit/handle clicks into place, what can be heard.

Attaching the castors



Important note:

Reproduction and any commercial use (of parts) of this operating manual, requires a written permission of WilTec Wildanger Technik GmbH.