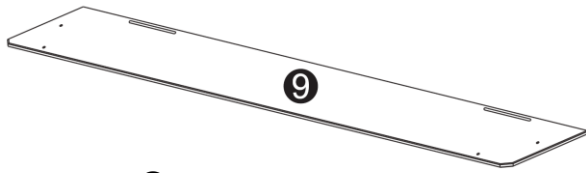
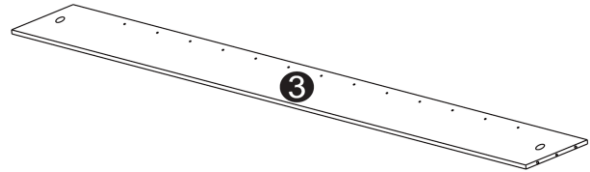




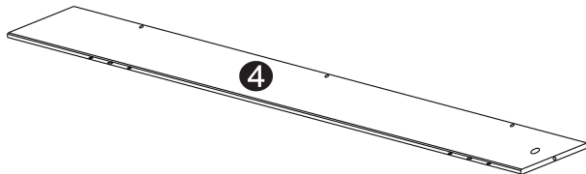
64260 – Radiator cover 78×19×82 cm



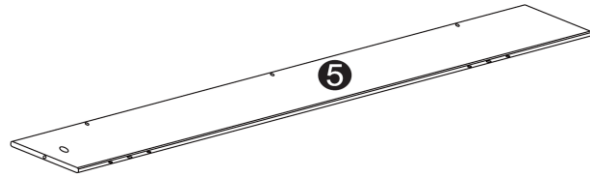
9 1× – 12 × 190 × 780 mm



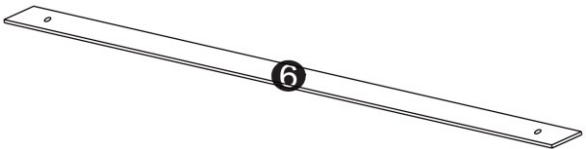
3 2× – 12 × 95 × 521 mm



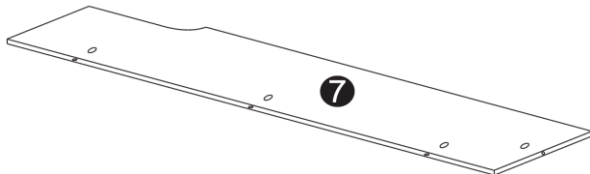
4 1× – 12 × 107 × 805 mm



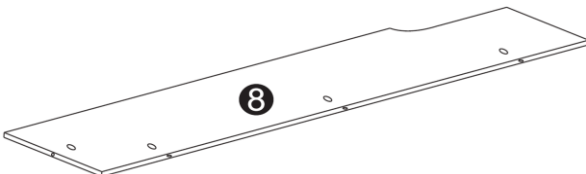
5 1× – 12 × 107 × 805 mm



6 8× – 4 × 35 × 480 mm

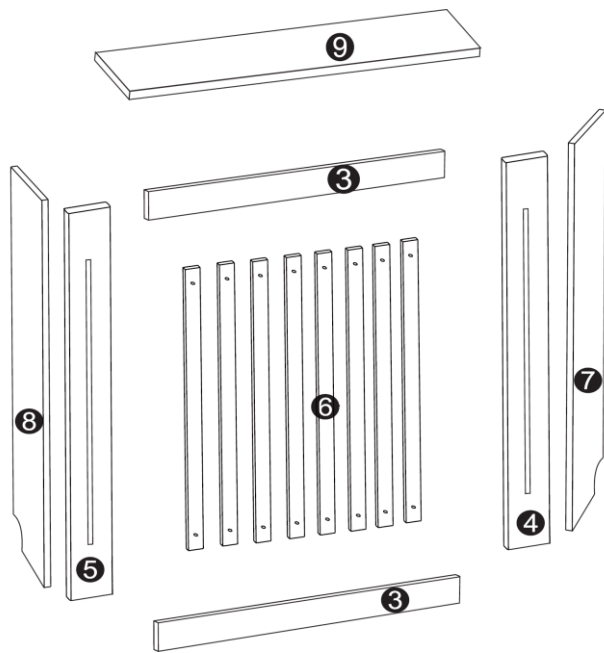


7 1× – 12 × 68 × 805 mm



8 1× – 12 × 107 × 805 mm

| | |
|---------------------------|---------------------------|
| <p>A</p> <p>2</p> | <p>B</p> <p>14</p> |
| <p>C</p> <p>14</p> | <p>T</p> <p>8</p> |
| <p>E</p> <p>20</p> | <p>F</p> <p>4</p> |
| <p>G</p> <p>4</p> | <p>H</p> <p>1</p> |



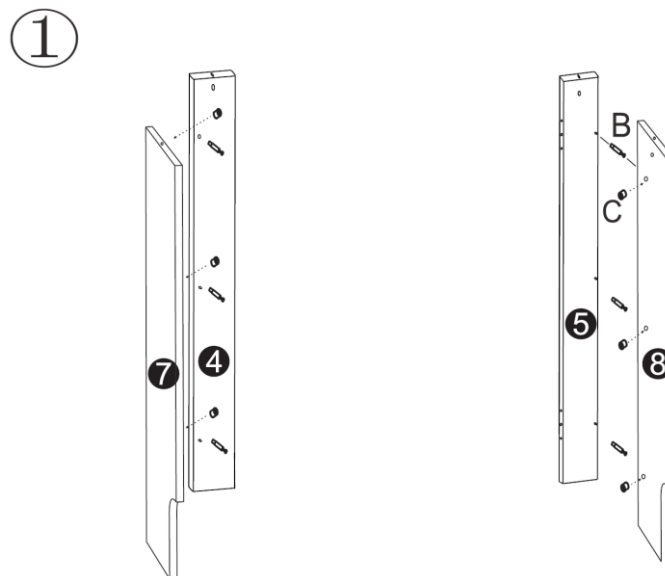


Safety instructions

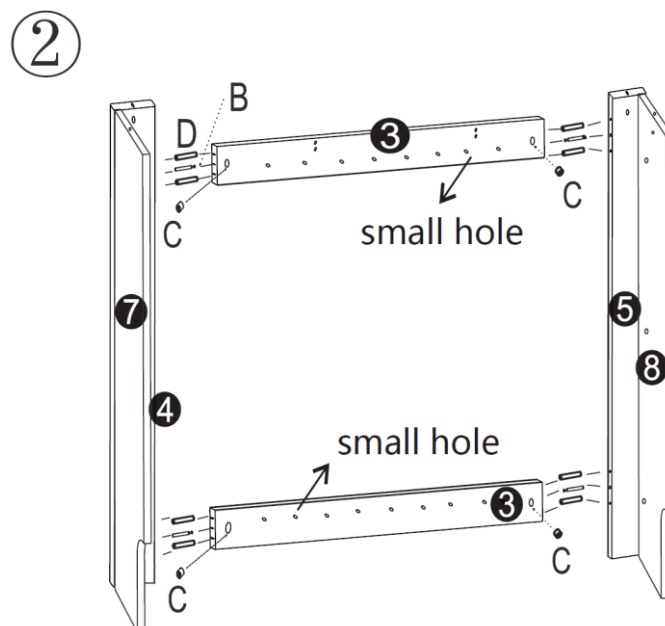
- Thoroughly read the assembly instructions and only assemble the radiator cover according to these instructions. If there are doubts, please contact an expert.
- Keep an eye on children that are near during the assembly. There are small parts that they could swallow.
- Make sure that the item is secured correctly.
- Only use the correct tools for assembling the cover.
- Make sure that the cover is securely fixed to the wall.
- Never stand or sit on the cover.

Assembly

Step 1

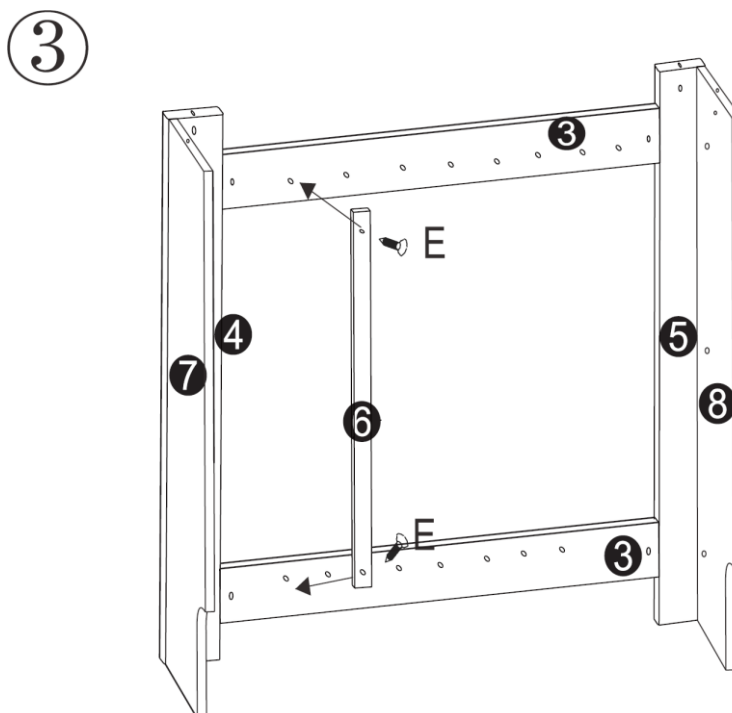


Step 2

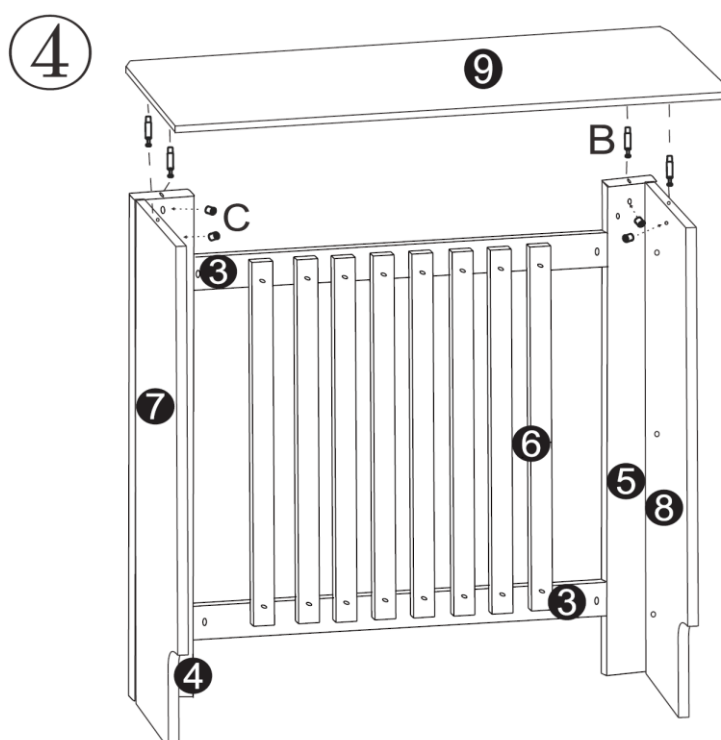




Step 3



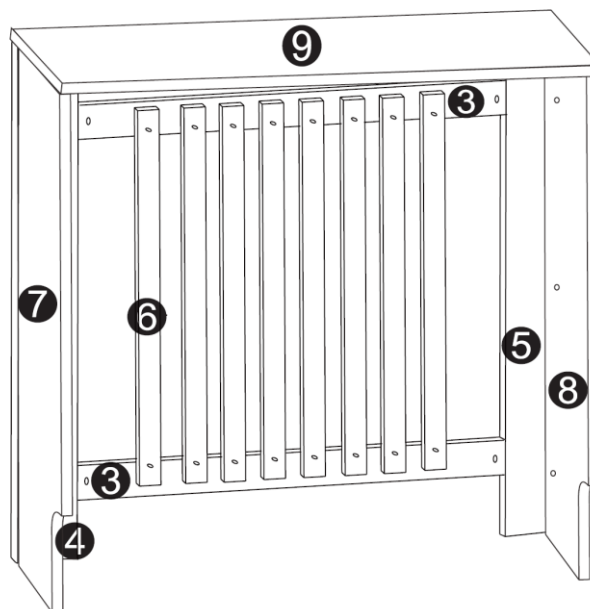
Step 4





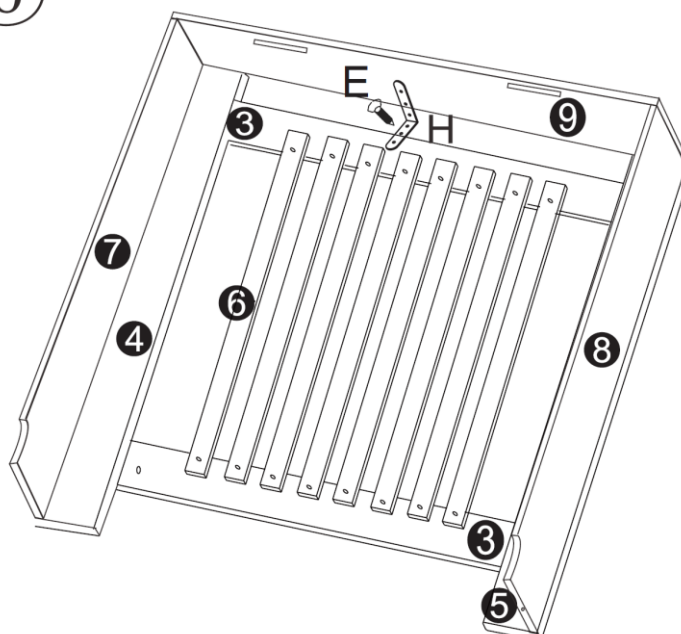
Step 5

5



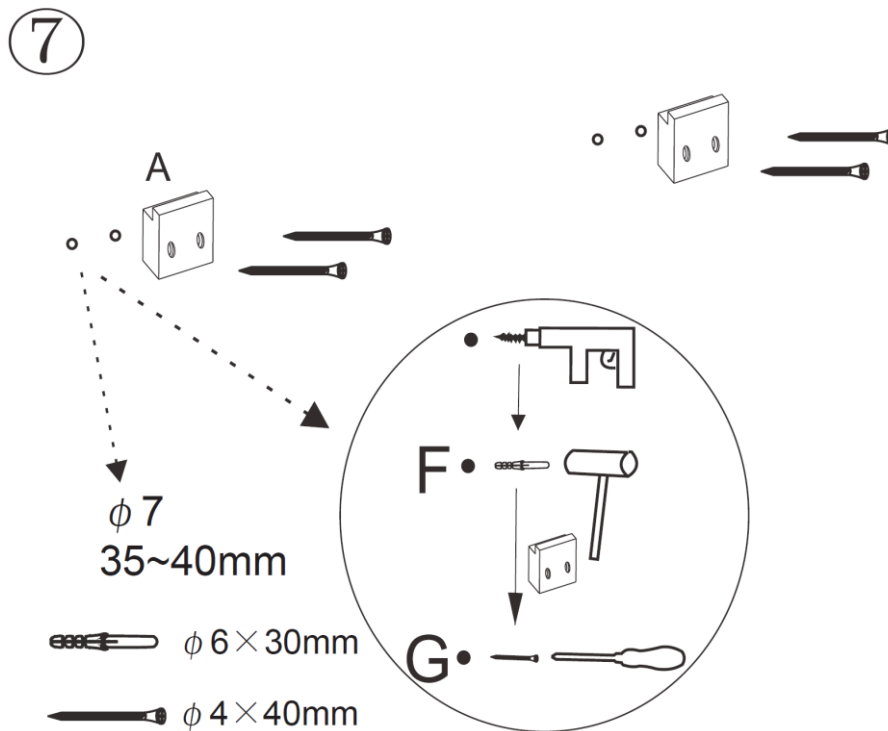
Step 6

6

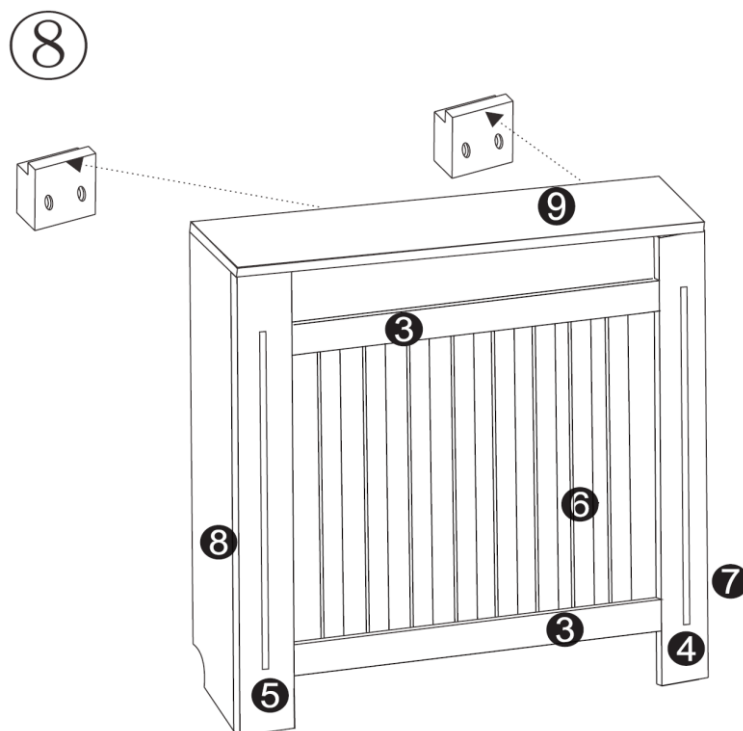




Step 7



Step 8



Important note:

Reproduction and any commercial use (of parts) of this operating manual, requires a written permission of WilTec Wildanger Technik GmbH.