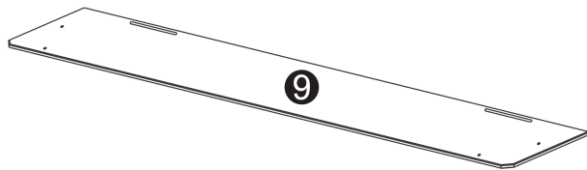
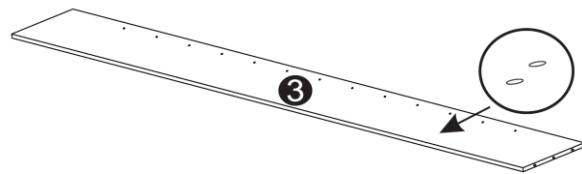




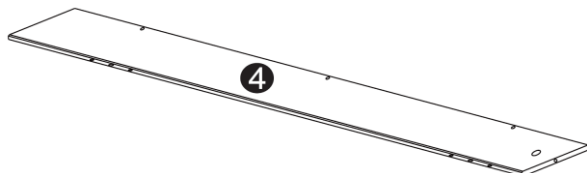
64261 – Radiator cover 112×19×82 cm



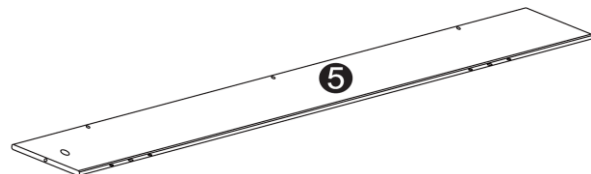
9 1× – 1120 × 190 × 12 mm



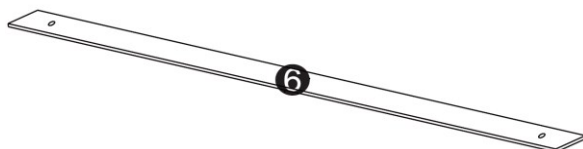
3 2× – 872 × 105 × 12 mm



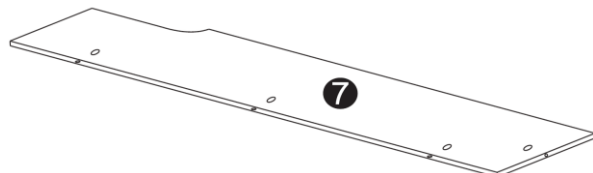
4 1× – 803 × 110 × 12 mm



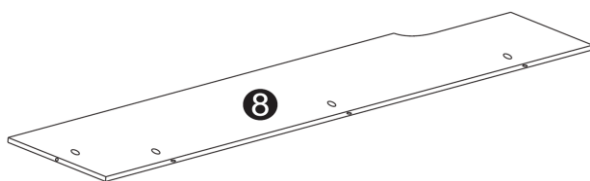
5 1× – 803 × 110 × 12 mm



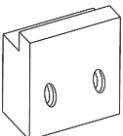






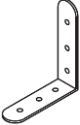

6 13× – 499 × 37 × 5 mm

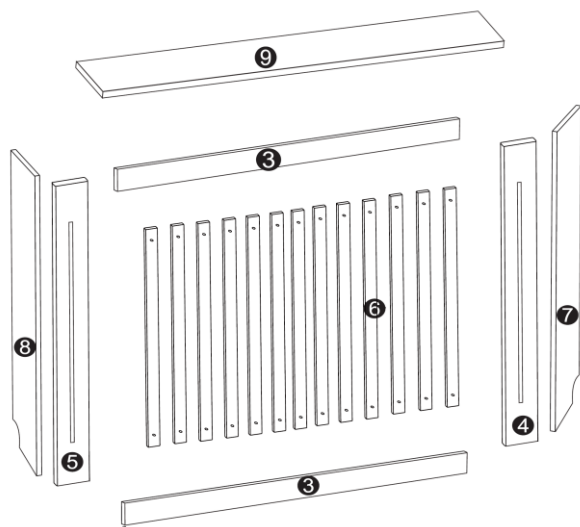


7 1× – 803 × 168 × 12 mm



8 1× – 803 × 168 × 12 mm

A 2		B 14	
C 14		T 8	
E 26		F 4	
G 4		H 1	
I 8			



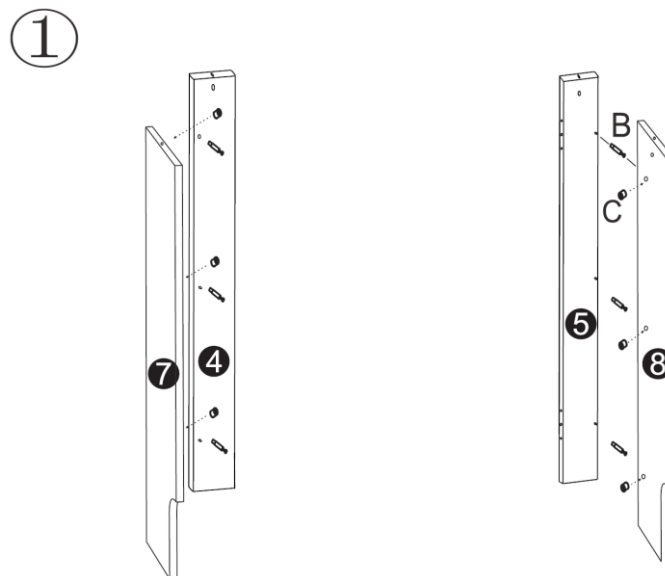


Safety instructions

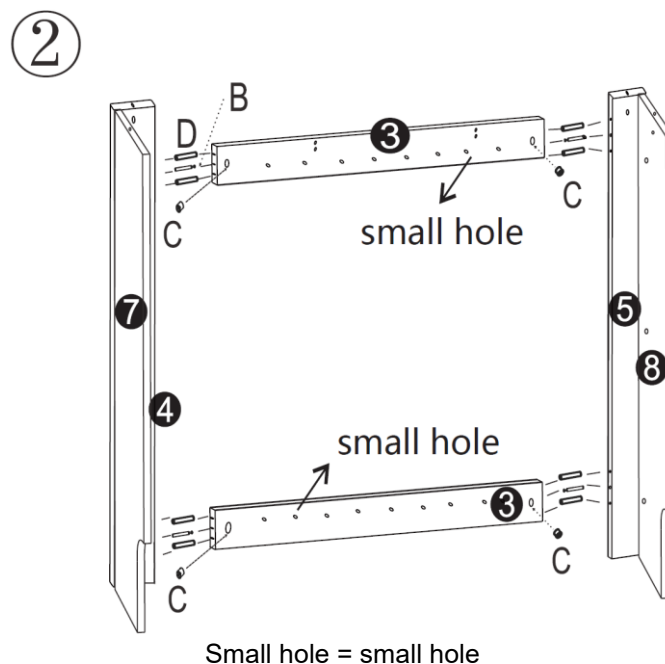
- Thoroughly read the assembly instructions and only assemble the radiator cover according to these instructions. If there are doubts, please contact an expert.
- Keep an eye on children that are near during the assembly. There are small parts that they could swallow.
- Make sure that the item is secured correctly.
- Only use the correct tools for assembling the cover.
- Make sure that the cover is securely fixed to the wall.
- Never stand or sit on the cover.

Assembly

Step 1

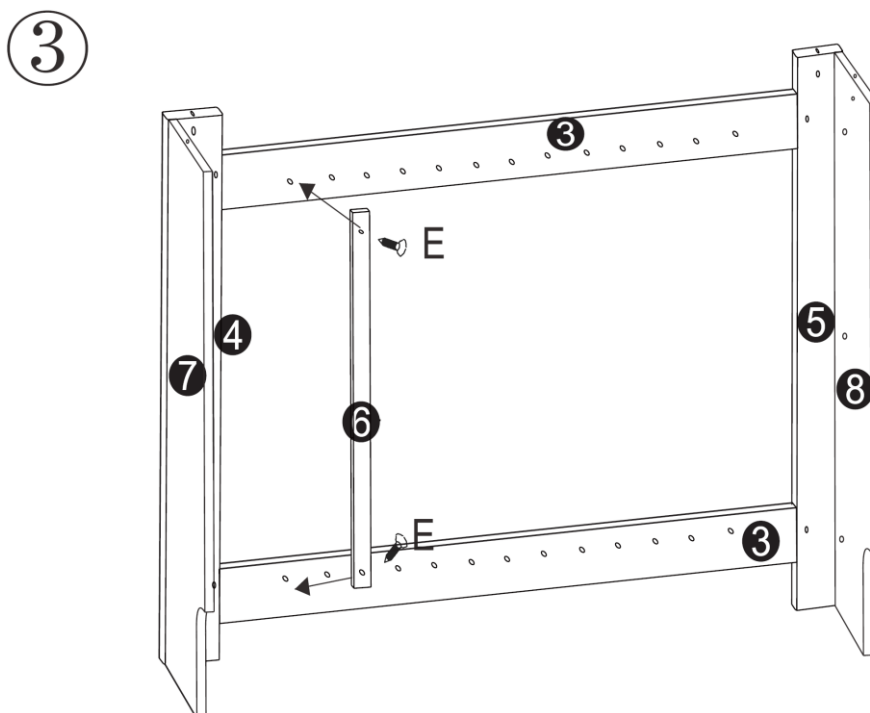


Step 2

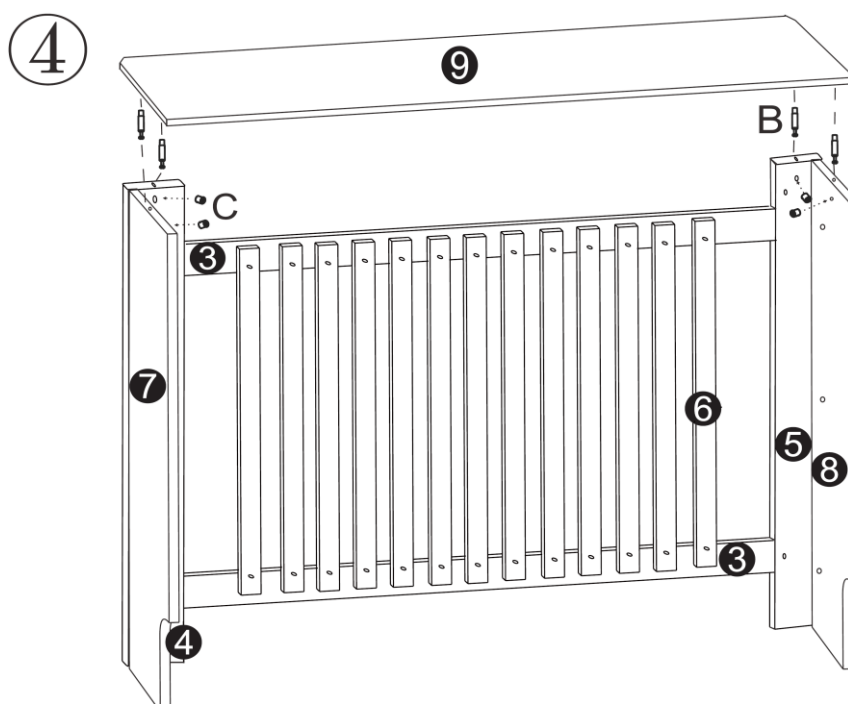




Step 3

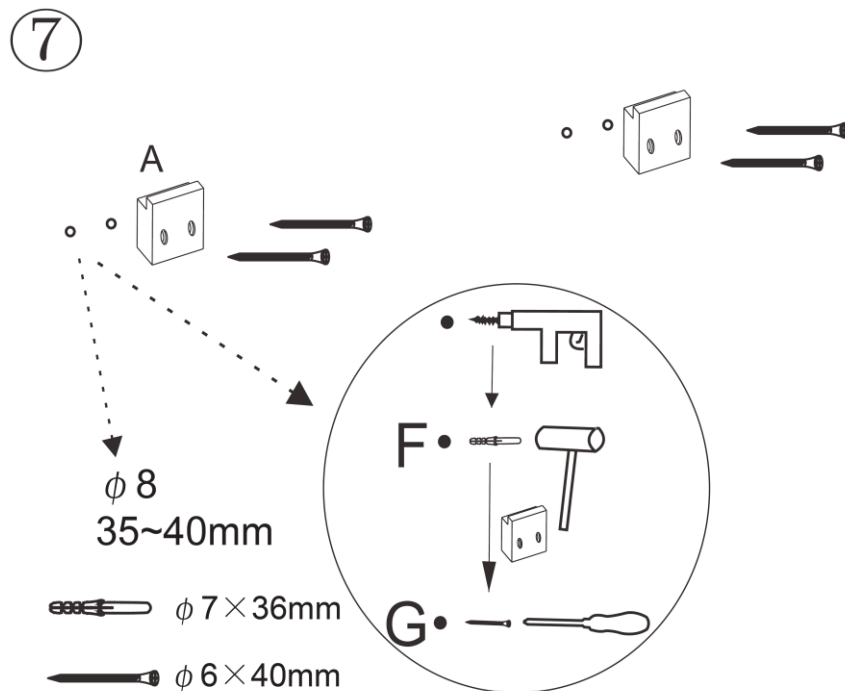


Step 4

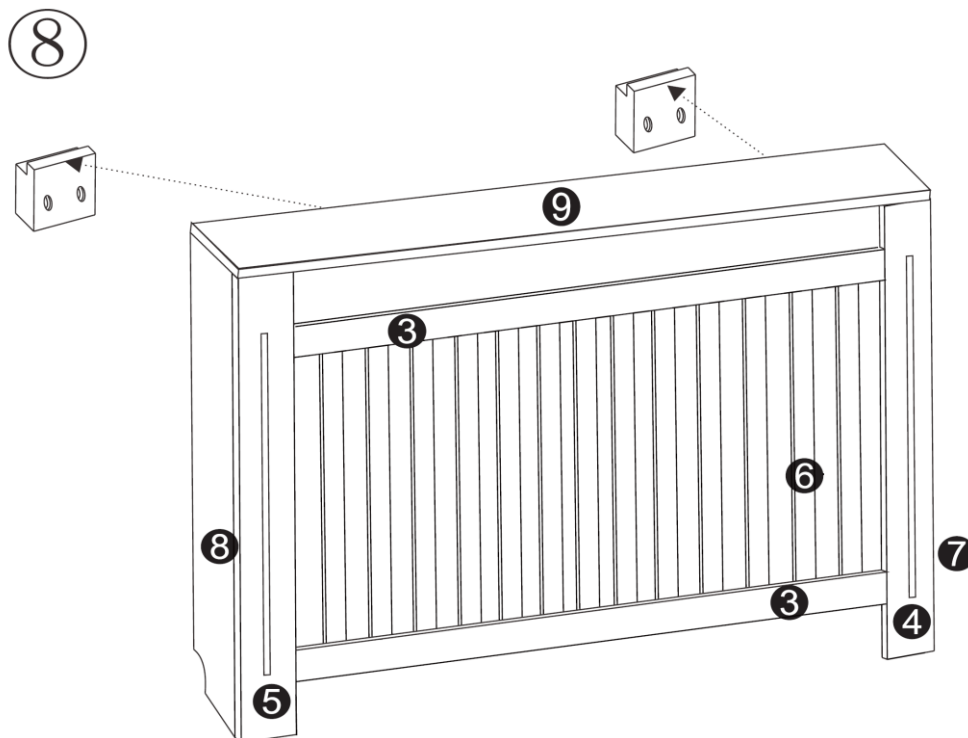




Step 7



Step 8



Important note:

Reproduction and any commercial use (of parts) of this operating manual, requires a written permission of WilTec Wildanger Technik GmbH.