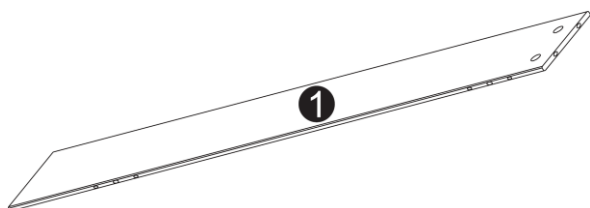
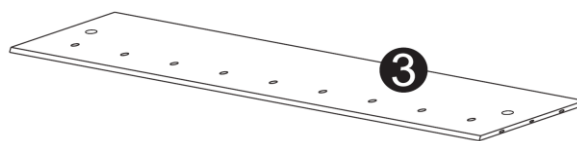




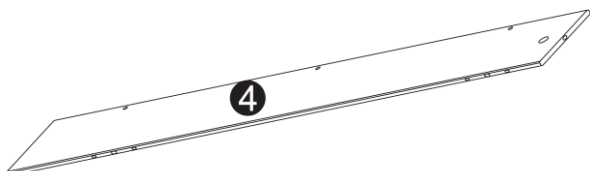
64262 – Radiator cover 152×19×82 cm



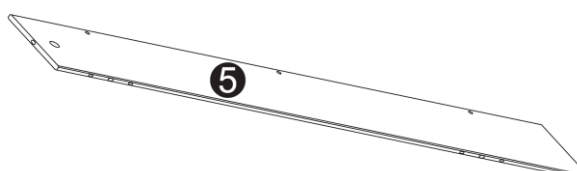
1 2× – 12 × 107 × 805 mm



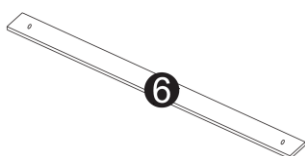
3 4× – 12 × 95 × 580 mm



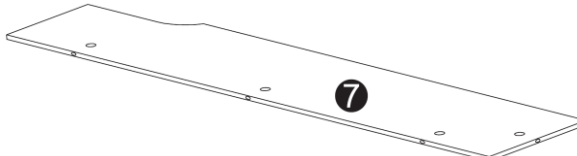
4 1× – 12 × 107 × 805 mm



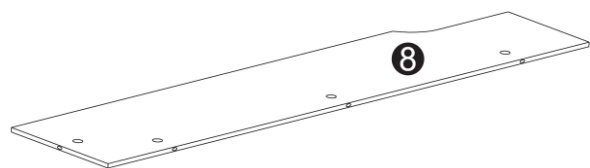
5 1× – 12 × 107 × 805 mm



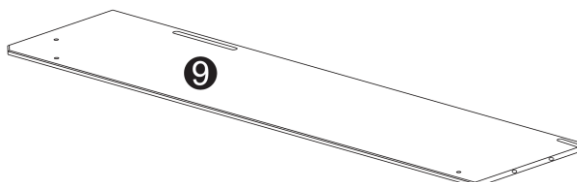
6 18× – 4 × 480 × 35 mm



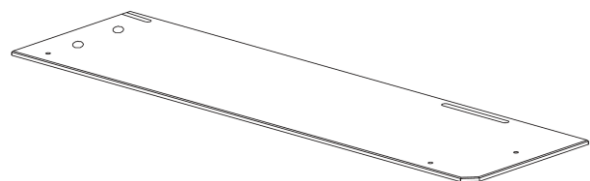
7 1× – 12 × 168 × 805 mm



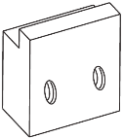






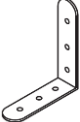
8 1× – 12 × 168 × 805 mm

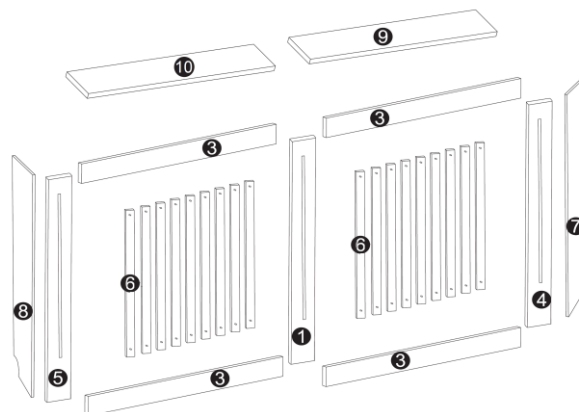


9 1× – 12 × 190 × 760 mm



10 1× – 12 × 190 × 760 mm

A		B	
3		22	
C		T	
22		16	
E		F	
44		6	
G		H	
6		2	



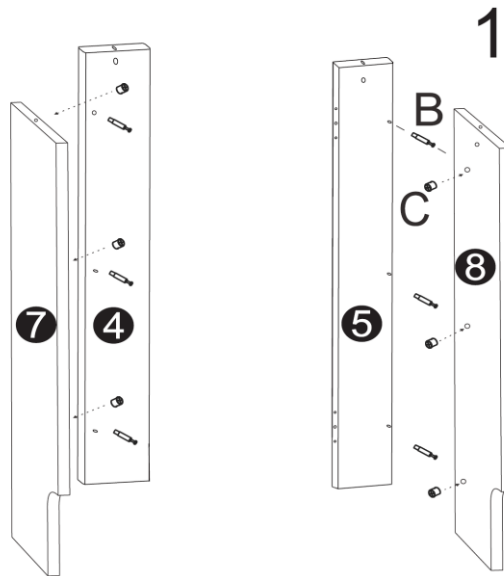


Safety instructions

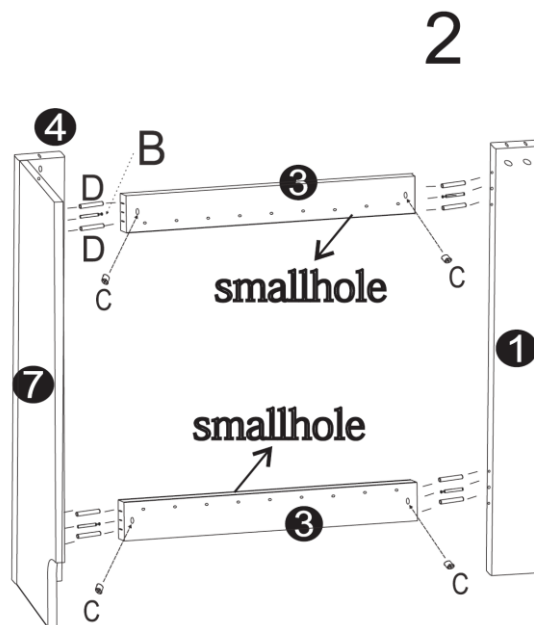
- Thoroughly read the assembly instructions and only assemble the radiator cover according to these instructions. If there are doubts, please contact an expert.
- Keep an eye on children that are near during the assembly. There are small parts that they could swallow.
- Make sure that the item is secured correctly.
- Only use the correct tools for assembling the cover.
- Make sure that the cover is securely fixed to the wall.
- Never stand or sit on the cover.

Assembly

Step 1



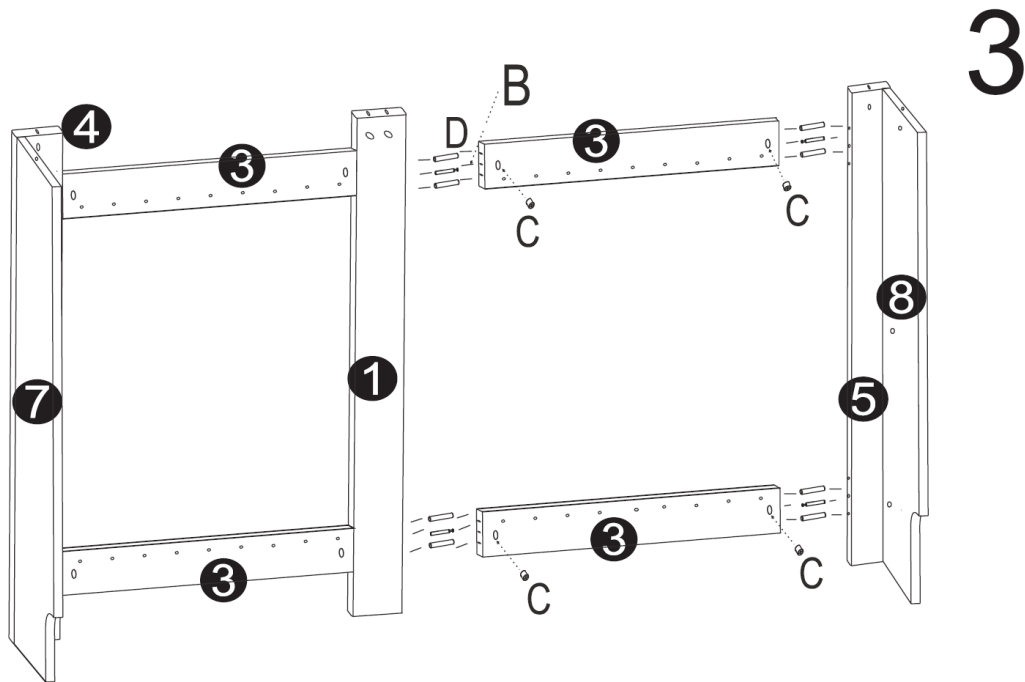
Step 2



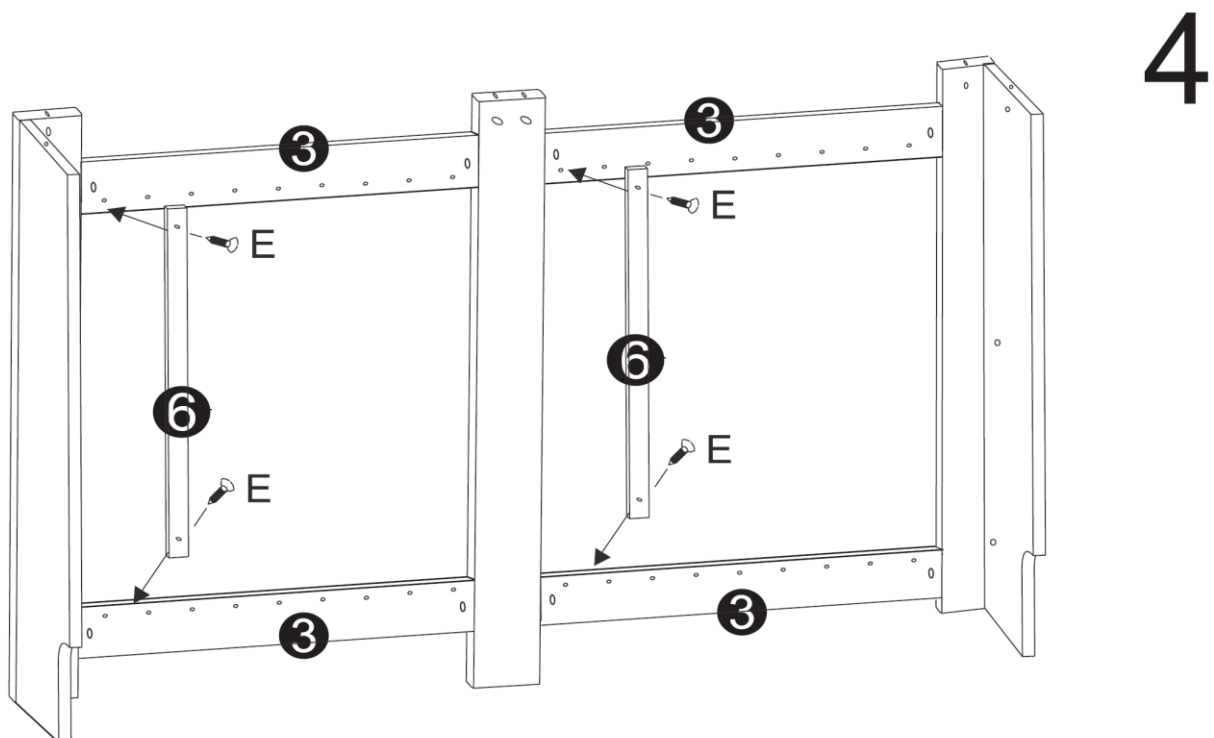
Small hole = small hole



Step 3

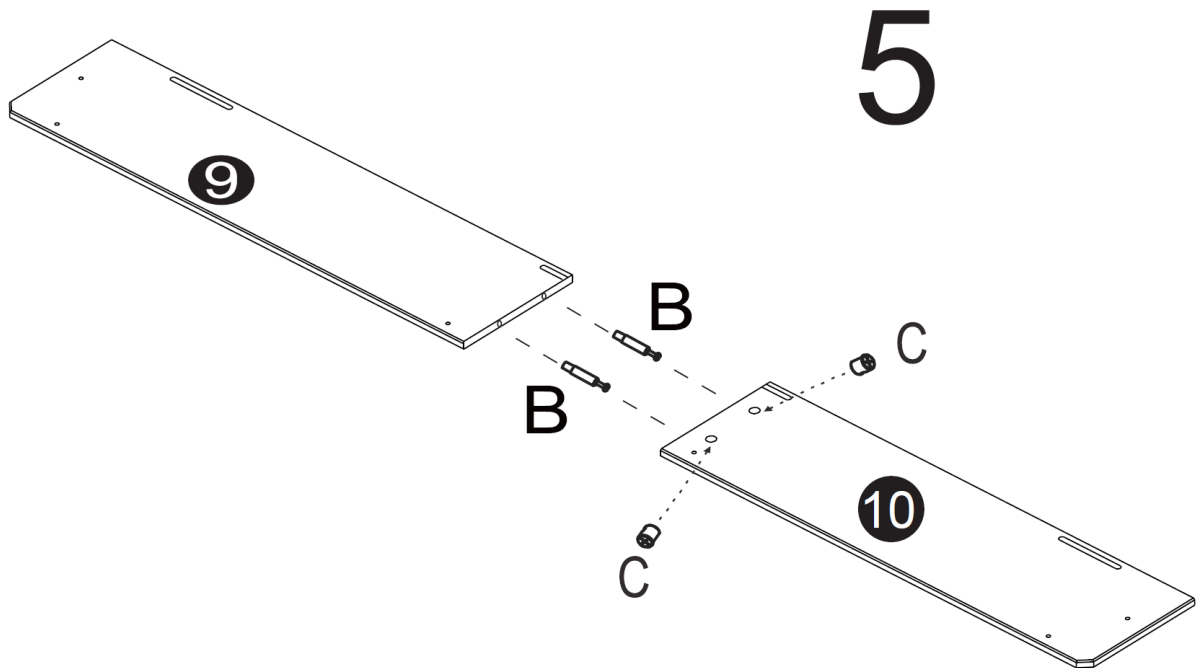


Step 4

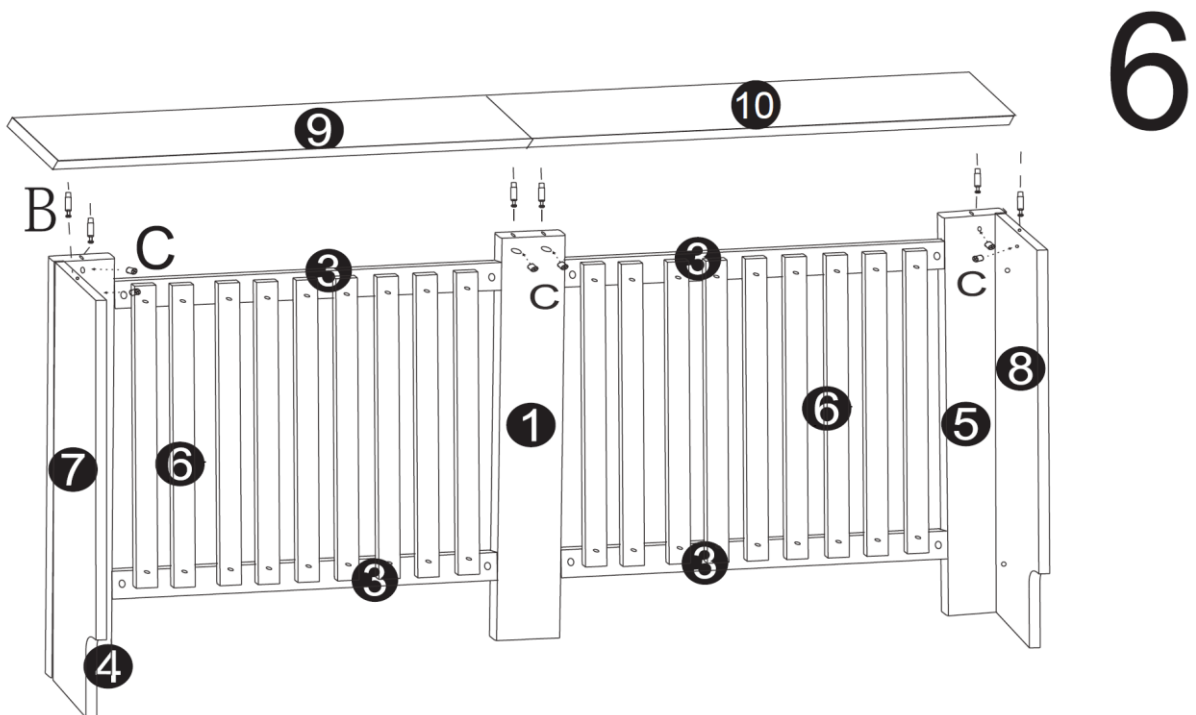




Step 5

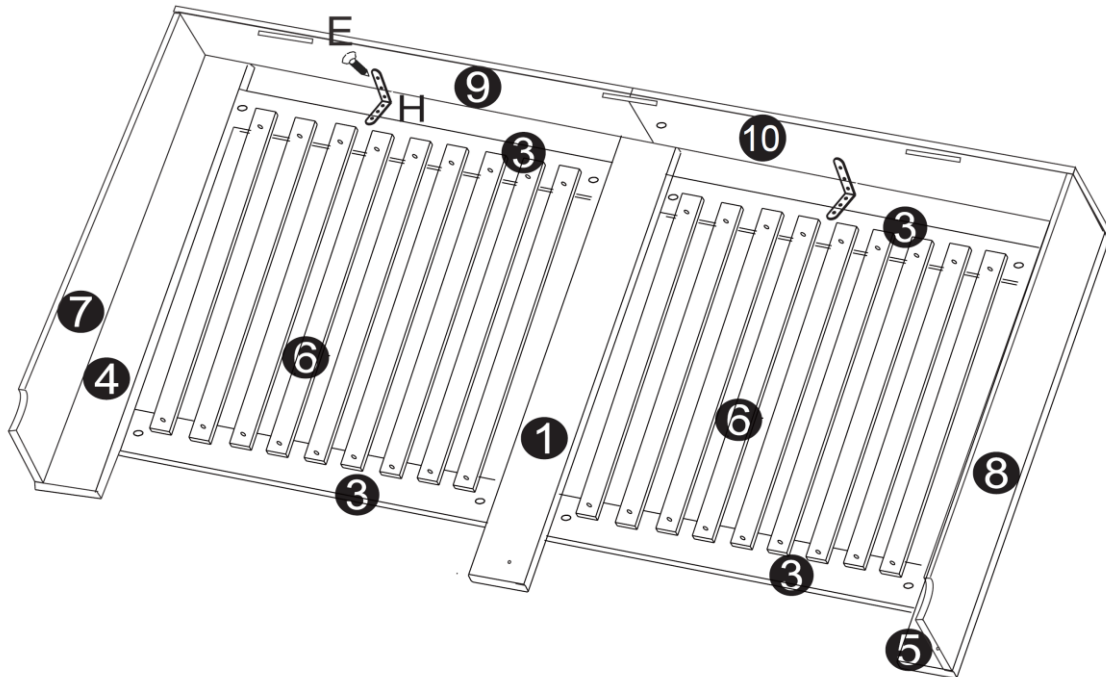


Step 6

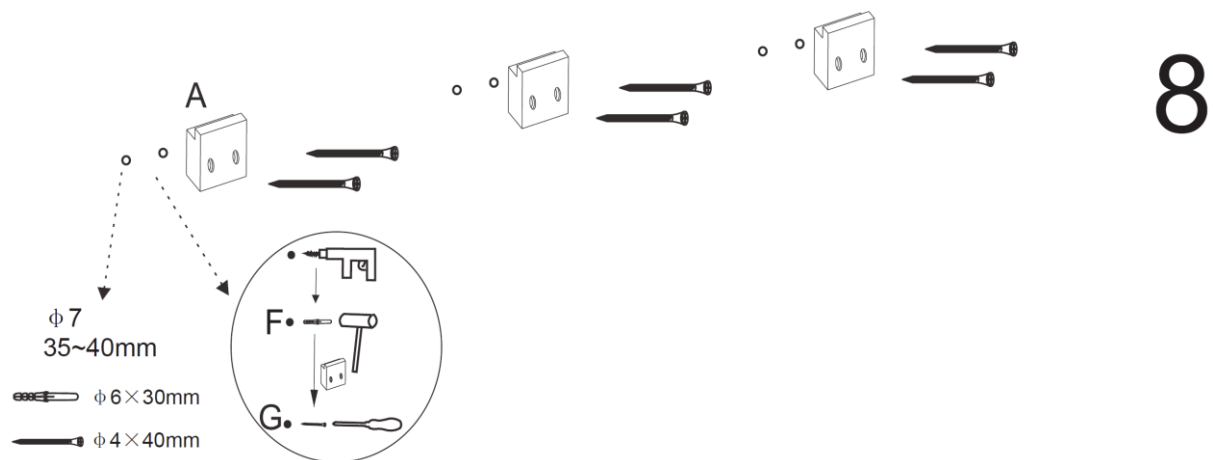




Step 7

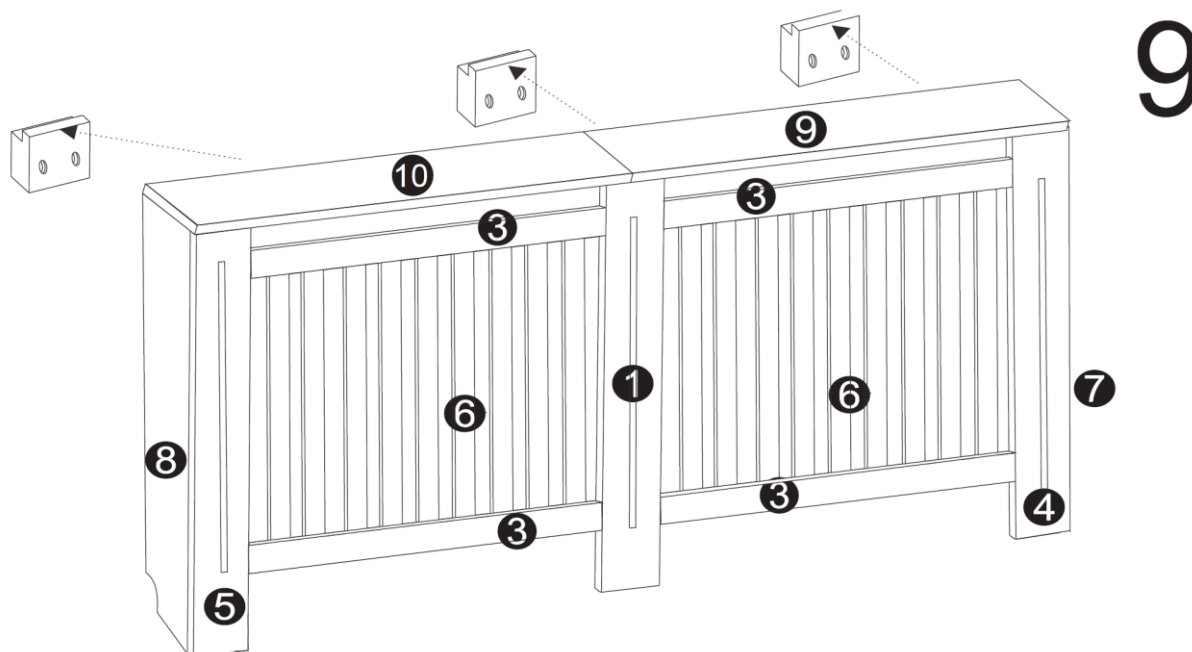


Step 8





Step 9



Important note:

Reproduction and any commercial use (of parts) of this operating manual, requires a written permission of WilTec Wildanger Technik GmbH.