

Operation Manual

Heavy-duty Shelving Unit

64367-64371

wiltec



Illustration similar, may vary depending on model

Read and follow the operating instructions and safety information before using for the first time.

Technical changes reserved!

Due to further developments, illustrations, functioning steps, and technical data can differ insignificantly.

Updating the documentation

If you have suggestions for improvement or have found any irregularities, please contact us.



The information contained in this document may alter at any time without previous notice. It is prohibited to copy or spread any parts of this document in any way without prior written allowance. All rights reserved.

The WilTec Wildanger Technik GmbH cannot be held accountable for any possible mistakes in this operating manual, nor in the diagrams and figures shown.

Even though, the WilTec Wildanger Technik GmbH has undergone biggest possible efforts to ensure that the operating manual is complete, faultless, and up to date, mistakes cannot be entirely avoided.

If you should find a mistake or wish to make a suggestion for improvement, we look forward to hearing from you.

Send an e-mail to:

service@wiltec.info

or use our contact form:

<https://www.wiltec.de/contacts/>

The most recent version of this manual in various languages can be found in our online shop via:

<https://www.wiltec.de/docsearch>

Our postal address is:

WilTec Wildanger Technik GmbH
Königsbenden 12
52249 Eschweiler
Germany

To return orders for exchange, repair, or other purposes, please use the following address. Attention! To allow for a smooth execution of your complaint or return, it is important to contact our customer service team before returning the goods.

Returns Department
WilTec Wildanger Technik GmbH
Königsbenden 28
52249 Eschweiler

E-mail: **service@wiltec.info**

Tel: +49 2403 55592-0

Fax: +49 2403 55592-15



Introduction

Thank you for purchasing this quality product. **To minimise the risk of injury we urge that our clients take some basic safety precautions when using this device. Please read the operation instructions carefully and make sure you have understood its content.**

Keep these operation instructions safe.



Warning!

Accident and fatal injury risk for infants and children!

- Never let children with the packaging materials unsupervised. There is a risk of suffocation.
- Keep the product away from children.
- It is not a toy.








Mortal danger!

Make sure that you do not hit any electricity, gas, or water lines when you drill into the wall. If necessary, check with a pipe/cable detector before you drill into a wall.

Risk of injury!

- Ensure that all parts are undamaged and properly assembled/fitted. In the event of incorrect assembly/fitting, there is a risk of injury. Damaged parts can affect safety and function.
- Do not let children unsupervised. The product is not a climbing frame or tool. Make sure that people, especially children, do not climb up onto the product and/or lean against it. Injuries and/or damage may result.
- Care was taken during the manufacture of the product to avoid any sharp edges. However, handle the individual parts carefully so that any accidents/injuries during set-up and use are avoided.
- When assembling/fitting the product, please be sure to wear protective gloves.
- Ensure that the product is assembled/fitted only by competent adults.
- Only set the product on a level surface.
- Before using the product, check its stability.
- Do not load the product with more than 175 kg per shelf. Otherwise, there is a risk of injury and/or damage to the product.
- Ensure that the unit loading is evenly spread – avoid any overloading.
- After assembly, check that all parts are firmly connected together.

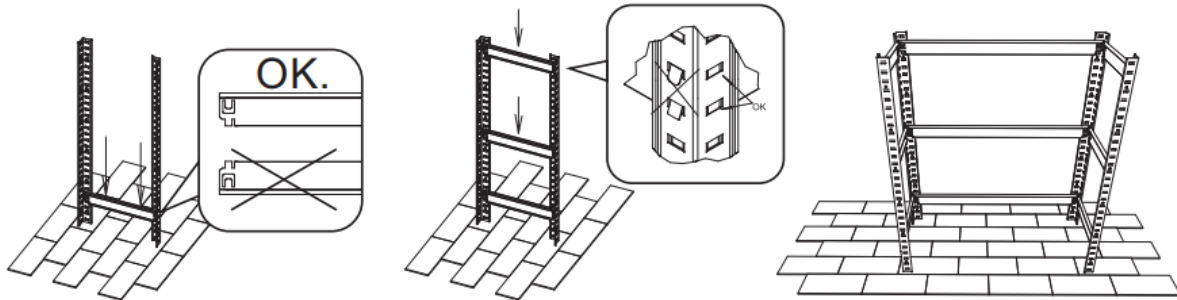
Parts list

x5 	x8 	x8 	x5 
x10 	x10 	x4 	

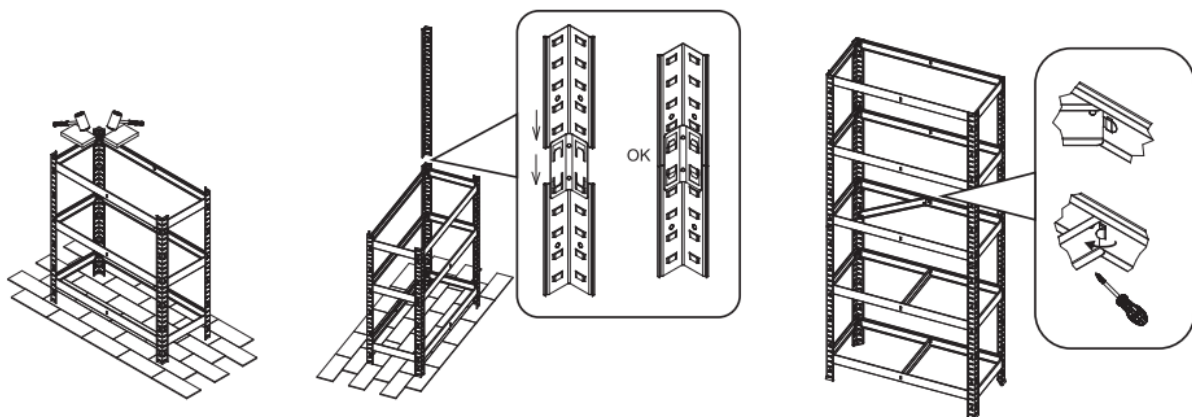
Assembly



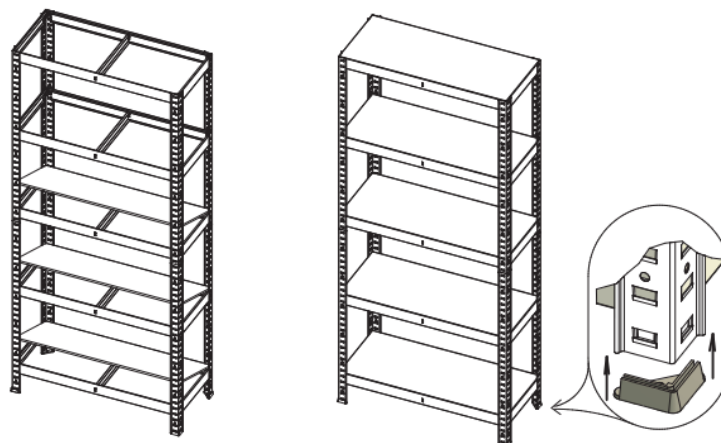
Step 1

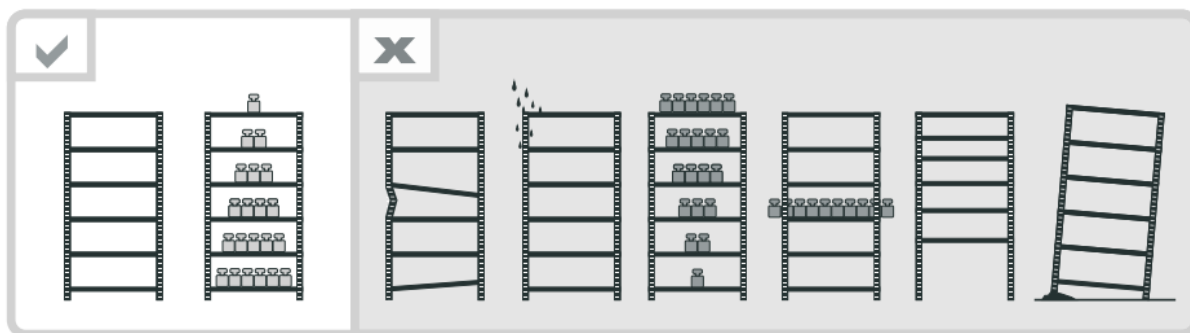


Step 2



Step 3





Important notice:

The reprint or reproduction, even of excerpts, and any commercial use, even in part, of this instruction manual require the written permission of WilTec Wildanger Technik GmbH.