

Operation Manual

Naturewater Below-table Water Filter

64417-64421



Illustration similar, may vary depending on model

Read and follow the operating instructions and safety information before using for the first time.

Technical changes reserved!

Due to further developments, illustrations, functioning steps, and technical data can differ insignificantly.

Updating the documentation

If you have suggestions for improvement or have found any irregularities, please contact us.



The information contained in this document may alter at any time without previous notice. It is prohibited to copy or spread any parts of this document in any way without prior written allowance. All rights reserved.

The WilTec Wildanger Technik GmbH cannot be held accountable for any possible mistakes in this operating manual, nor in the diagrams and figures shown.

Even though, the WilTec Wildanger Technik GmbH has undergone biggest possible efforts to ensure that the operating manual is complete, faultless, and up to date, mistakes cannot be entirely avoided.

If you should find a mistake or wish to make a suggestion for improvement, we look forward to hearing from you.

Send an e-mail to:

service@wiltec.info

or use our contact form:

<https://www.wiltec.de/contacts/>

The most recent version of this manual in various languages can be found in our online shop via:

<https://www.wiltec.de/docsearch>

Our postal address is:

WilTec Wildanger Technik GmbH
Königsbenden 12
52249 Eschweiler
Germany

To return orders for exchange, repair, or other purposes, please use the following address. Attention! To allow for a smooth execution of your complaint or return, it is important to contact our customer service team before returning the goods.

Returns Department
WilTec Wildanger Technik GmbH
Königsbenden 28
52249 Eschweiler

E-mail: **service@wiltec.info**

Tel: +49 2403 55592-0

Fax: +49 2403 55592-15



Introduction

Thank you for purchasing this quality product. **To minimise the risk of injury we urge that our clients take some basic safety precautions when using this device. Please read the operation instructions carefully and make sure you have understood its content.**

Keep these operation instructions safe.

Safety instructions

- This appliance is intended for use and operation in accordance with the instructions in this manual. It is not intended for operation outside the stated specifications and any attempt to do so or to tamper with the appliance may result in damage to the appliance and/or personal injury.
- This appliance is not a toy and must be kept out of the reach of small children.
- If the appliance requires maintenance or repair, please contact a service technician.
- Ensure that the temperature of the feed water is above 4 °C. If the water temperature is below 4 °C, ice may form and damage the appliance.
- This system contains filters that must be replaced at certain intervals. The replacement intervals vary depending on use.
- Please only install the system with drinking water. With non-potable water sources, the system will not function properly and additional pre-treatment may be required.
- Ensure that the water pressure is approx. 4 bar. If the source water pressure exceeds the maximum pressure, a pressure reducing valve may be required.
- Ensure that the temperature of the source water is between 5 °C and 45 °C. The system will not function properly if these temperatures are exceeded. Do not install on a hot water source.
- Do not use the system for noticeably contaminated water such as raw sewage or well water.
- The appliance must not be dismantled, opened or modified. Tampering with the appliance can lead to malfunctions or damage and will invalidate the warranty.
- Do not cover the appliance, as this impedes heat dissipation and can lead to damage or fire.
- Do not place any objects on the appliance, as this may damage the appliance and cause leaks.
- Observe all recommended values for operating pressures and temperatures, otherwise the appliance may be damaged.
- Avoid contact with corrosive materials.
- Protect from heat.

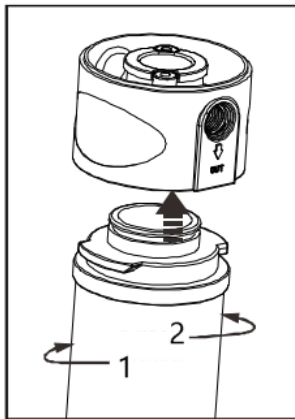
Filters and filter stages

Item №.	Filter stage 1	Filter stage 2
64417	PP sediment filter	–
64418	Activated carbon granulate filter (GAC)	–
64419	Activated carbon block filter (CTO)	–
64420	PP sediment filter	Activated carbon block filter (CTO)
64421	PP sediment filter	Ultrafilter water filter (UF)

Filter functions

Filter cartridge	Function
PP sediment filter	Removes larger suspended particles from the water.
CTO activated carbon filter Granular activated carbon filter (GAC)	Effectively removes chlorine, binds colour and odours and also filters the smallest impurities from the water to extend the service life of the reverse osmosis membrane.
Ultrafilter water filter (UF)	Removes suspended particles, turbidity, bacteria and other harmful substances with a filtration performance of up to 0.01 μ

Cartridge replacement



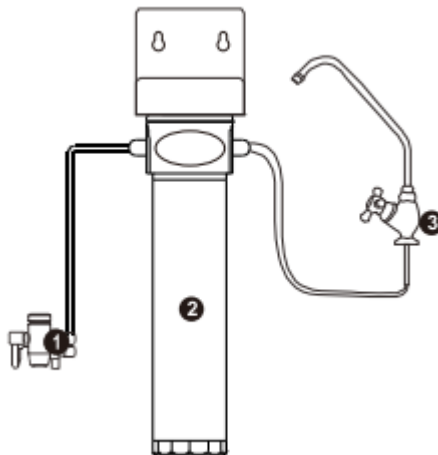
No	Name
1	Untighten
2	Tighten

1. Close the feed-water valve.
2. Open the faucet and drain any residual water from the system.
3. Turn the old cartridge clockwise and then remove it from the cap.
4. Align the new cartridge with the central cap and press it lightly into the opening.
5. Tighten the new cartridge anti-clockwise and open the valves.
6. Carry out a pre-filter rinse after changing the filter.

Technical data

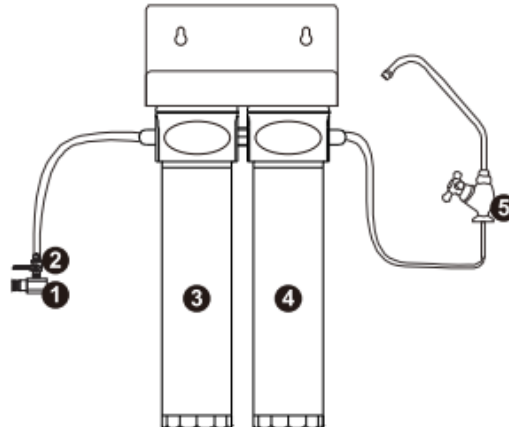
Feed water quality	Municipal tap water
Working pressure (bar)	4
Max. Pressure (bar)	10
Chlorine level (ppm)	$\leq 0,2$
Suitable temperature (°C)	5–38

Flow chart of the water treatment process



Nº	Name
1	Water inlet valve
2	PP sediment filter
3	Faucet

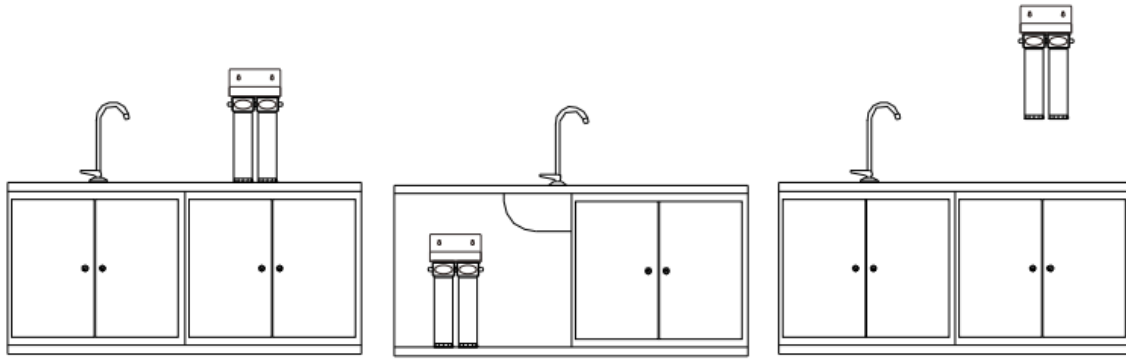
64420–64421



Nº	Name
1	Water inlet valve
2	T-piece
3	PP sediment filter
4	Activated carbon block filter or ultrafilter
5	Water tap

Positioning the device

- This device is designed to be placed under a sink or on a countertop. However, if there is not enough space or for other reasons, it can be installed in another suitable location.
- When choosing the location, make sure that the cold-water pipe, drain pipe, and socket are easily accessible and that there is enough space to change the filter.



On the countertop

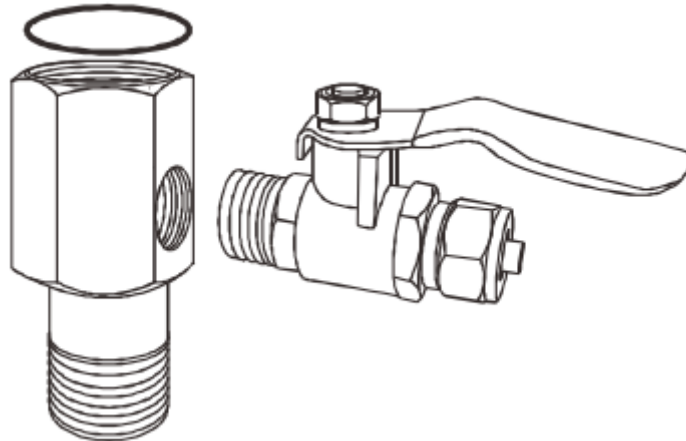
Under the sink

At the wall

Installing the feed water valve

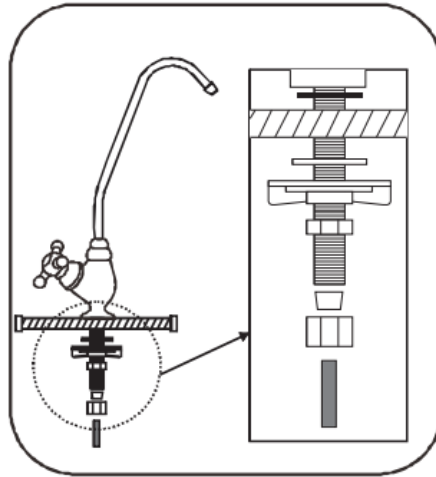
- The feed water connection should be as close as possible to the water filters in the series.
- Install the T-piece of the feed water valve and then connect it to the water source.

Caution! The water supply to your appliance must be via the cold-water pipe. Hot water can damage your appliance. Softened feed water extends the service life of the filter cartridges.



Installing the faucet

1. Choose a suitable place for the faucet near the sink.
2. Drill a hole with a diameter of 12 mm in the worktop.
3. Fit the washers, plates, gaskets, and nuts in the sequence shown in the illustration and screw them to the worktop.
4. Attach the clean water hose to the underside of the faucet and connect it to the appliance.
5. Install the faucet at the desired location as shown in the illustration. Either on the left or right side, depending on the faucet.



Maintenance

Regular maintenance is required to ensure optimum operation of the appliance. The frequency of maintenance depends on the quality of the feed water and the extent to which the system is used. You find some guidelines for scheduled filter changes below, although the frequency of filter changes may vary. If in doubt, contact a service technician.

- Change PP sediment filters **every 3–6 months** or as required.
- Replace bayonet filters **every 18–24 months** or as required.
- Replace carbon block filter **every 6–12 months** or as required.
- Change the activated carbon granulate filter **every 6–12 months** or as required.

Disconnect the device from the power supply if you will not be using it for a longer period of time or if you will be absent. If the device has been switched off and has not been used for a long time, carry out the same rinsing process as when it was first switched on.

Troubleshooting

Problem	Possible cause	Suggested solution
No water production	Filter cartridge clogged	Replace the cartridge.
	Feed water valve is closed	Open the feed water valve.
	Flowing water is shut off	Open the water supply.
Leakages	Pipe not tightly connected	Tighten the fitting.

Disposal regulations

EU guidelines regarding the disposal of scrap electric appliances (WEEE, 2012/19/EU) were implemented in the law related to electrical and electronic equipment and appliances.

All WiITec electric devices that fall under the WEEE regulations are labelled with the crossed-out wheeled waste bin logo. This logo indicates that this electric equipment must not be disposed with the domestic waste.

The company WiITec Technik GmbH has been registered in the German registry EAR under the WEEE-registration number DE45283704.

Disposal of used electrical and electronic appliances (intended for use in the countries of the European Union and other European countries with a separate collection system for these appliances).

The logo on the article or on its packaging points out that this article must not be treated as normal household waste but must be disposed to a recycling collection point for electronic and electrical waste equipment. By contributing to the correct disposal of this article you protect the environment and the health of your fellow men. Environment and health are threatened by inappropriate disposal.



Material recycling helps reduce the consumption of raw materials.

Additional information on recycling this article can be provided by your local community, municipal waste disposal facilities, or the store where you purchased the article.

Address:
WiITec Wildanger Technik GmbH
Königsbenden 12 / 28
D-52249 Eschweiler

Important notice:

The reprint or reproduction, even of excerpts, and any commercial use, even in part, of this instruction manual require the written permission of WiITec Wildanger Technik GmbH.