

Operation Manual

NW-3-1100 Counter-top Ultrafilter System 64441



Illustration similar, may vary depending on model

Read and follow the operating instructions and safety information before using for the first time.

Technical changes reserved!

Due to further developments, illustrations, functioning steps, and technical data can differ insignificantly.

Updating the documentation

If you have suggestions for improvement or have found any irregularities, please contact us.

The information contained in this document may alter at any time without previous notice. It is prohibited to copy or spread any parts of this document in any way without prior written allowance. All rights reserved.

The WilTec Wildanger Technik GmbH cannot be held accountable for any possible mistakes in this operating manual, nor in the diagrams and figures shown.

Even though, the WilTec Wildanger Technik GmbH has undergone biggest possible efforts to ensure that the operating manual is complete, faultless, and up to date, mistakes cannot be entirely avoided.

If you should find a mistake or wish to make a suggestion for improvement, we look forward to hearing from you.

Send an e-mail to:

service@wiltec.info

or use our contact form:

<https://www.wiltec.de/contacts/>

The most recent version of this manual in various languages can be found in our online shop via:

<https://www.wiltec.de/docsearch>

Our postal address is:

WilTec Wildanger Technik GmbH
Königsbenden 12
52249 Eschweiler
Germany

To return orders for exchange, repair, or other purposes, please use the following address. Attention! To allow for a smooth execution of your complaint or return, it is important to contact our customer service team before returning the goods.

Returns Department
WilTec Wildanger Technik GmbH
Königsbenden 28
52249 Eschweiler

E-mail: **service@wiltec.info**

Tel: +49 2403 55592-0

Fax: +49 2403 55592-15



Introduction

Thank you for purchasing this quality product. **To minimise the risk of injury we urge that our clients take some basic safety precautions when using this device. Please read the operation instructions carefully and make sure you have understood its content.**

Keep these operation instructions safe.

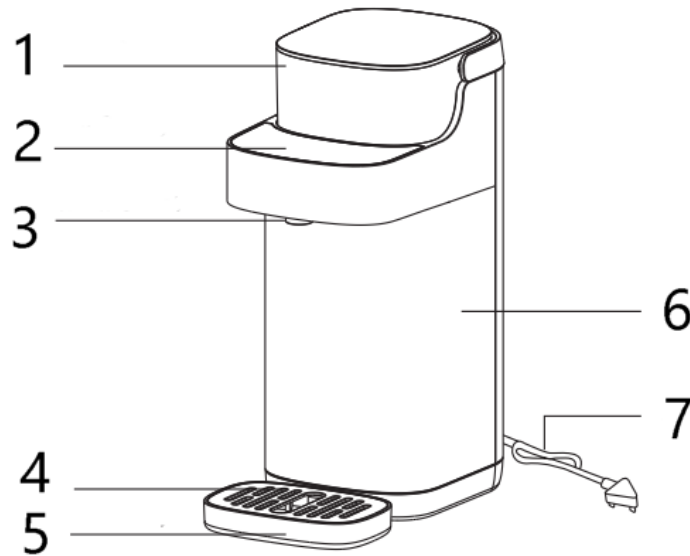
Safety instructions

- Use the water filter exclusively for filtering drinking water. Do not use it for other liquids or chemicals.
- Regularly replace the filter cartridge according to the instructions to ensure optimal water quality. Clogged or outdated filters can reduce filtration efficiency.
- Rinse the device and cartridges regularly.
- Ensure that the water pressure is within the allowable range. Excessive pressure can damage the device, while low pressure can impair filtration performance.
- Avoid using the water filter at temperatures below 4 °C, as this can damage the device.
- Make sure all connections are tight and properly installed to prevent leaks. Use sealing tape or similar sealing materials on the threads during installation.
- Do not attempt to disassemble or repair the device yourself. Contact a qualified professional if you encounter any problems.
- Keep the device out of the reach of children. Children could accidentally damage it or use it improperly.
- Regularly check the water filter and connections for leaks. If a leak is detected, immediately shut off the water supply and have the device inspected.
- This water filter is intended for indoor use only. Using it outdoors can damage the device and affect water quality.
- Prevent contamination by not allowing the filter outlet to come into contact with dirty surfaces. Keep the outlet clean and free from contaminants.
- Do not modify the water filter or its connections, as this can lead to malfunctions and damage.
- Disconnect the power plug from the electrical outlet if the device will not be used for an extended period.

Technical Data

Rated power (W)	1500 / 2200
Tank capacity (ℓ)	1.1
Filter permeability (µm)	0.01
Flow rate of purified water (ℓ_{min})	0.6
Temperature selection (°C)	25 / 45 / 85 / 100
Material	Plastic
Contaminant removal	Chlorine, lime particles, sediments
Dimensions (mm)	174 × 252 × 349

Parts overview



Nº	Name	Nº	Name
1	Feed water tank	5	Collection container
2	Control panel/display	6	Main housing
3	Water outlet	7	Power cord
4	Collection-container cover		

Installing power supply

Before plugging the cord into the outlet, ensure that the power supply is 230 V/50 Hz and that the rated current of the outlet exceeds 10 A. Keep the plug and your hands dry.

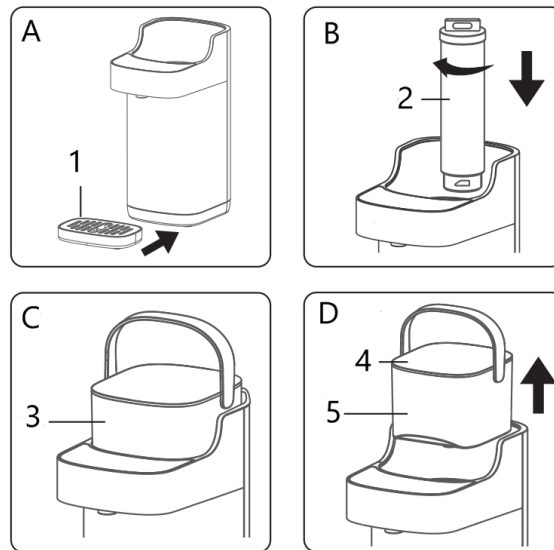
Caution! If the power cord is damaged, please contact a qualified electrician to replace it and avoid the risk of electric shock.

Installing the collection container and filter cartridge

Place the collection container in front of the main housing (Fig. A). Insert the filter cartridge into the end and turn the cartridge clockwise (Fig. B).

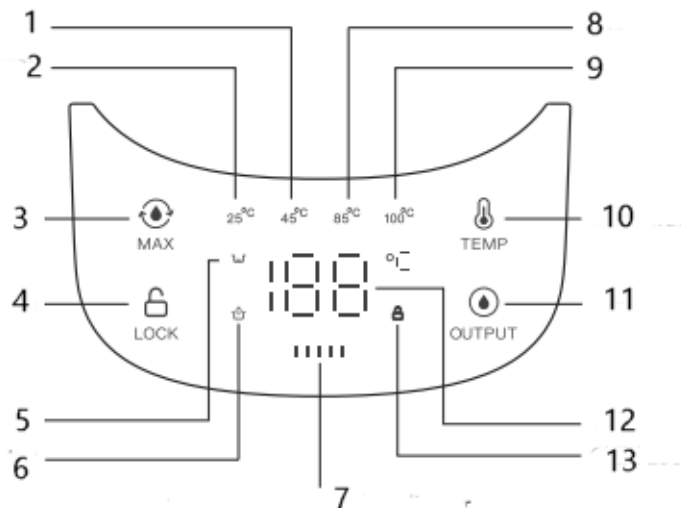
Installing the feed-water tank

Lift the handle of the feed water tank (Fig. C). Pull out the tank, open the tank cover, and fill it with water up to the maximum water level indicator. Then, place the water tank back into the device.



Nº	Name	Nº	Name
1	Collection container	4	Tank cover
2	Filter cartridge	5	Feed-water tank
3	Feed-water tank		

Operating instructions



Nº	Name	Nr.	Bezeichnung
1	Formula selection	8	Tea selection
2	Room-temperature selection	9	Boiling-water selection
3	Continuous-operation button	10	Temperature-selection button
4	Child-lock button	11	Dispense button
5	Water-shortage indicator	12	Temperature display
6	Water-production indicator	13	Child-lock indicator
7	Filter life indicator		



Button functions

Child-lock button

Press the child-lock button first when you want to use hot water for formula, tea, or boiling water.

Temperature selection button

Press the temperature-selection button to choose your desired temperature. There are four temperature levels available: room-temperature water (25 °C), water for formula (45 °C), water for tea (85 °C), and boiling water (100 °C). Once a selection is made, the symbol for the chosen mode will light up.

Dispense button

Press the dispense button to release water. The water flow will automatically stop after dispensing 250 ml of water or by pressing any button to stop the water.

Water-production indicator

When the light is on, it indicates that the device is currently producing feed water. If the feed water tank is full and no operation is performed for 2 min, the device will automatically switch to standby mode.

Water-shortage indicator

- When the light is on, it means that the purified water tank is not sufficiently filled.
- The device will emit three beeps in case of water shortage. In this mode, only room temperature water can be dispensed. The other three temperature levels will not be available.
- If the water temperature is set to a high level during a water shortage, the corresponding button will be locked and remain locked until the water level in the purified water tank is restored to the required level.
- If the feed water tank is missing, the indicator will light up, and the device will automatically shut off. If the feed water tank is empty, the pump will run for 15 s and then stop.

Cartridge replacement

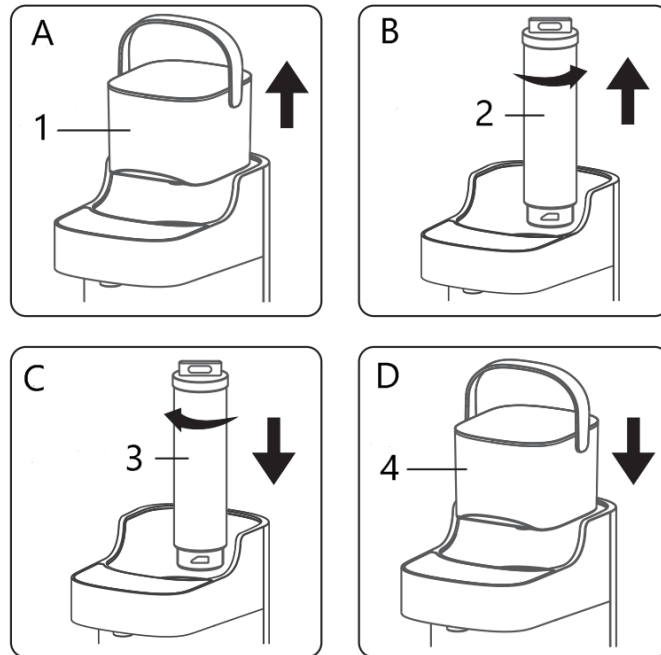
Cartridge lifespan

1. To ensure optimal performance of the device, regular maintenance is necessary. The frequency of maintenance depends on the quality of the feed water and the intensity of system use.
2. There are five bars that indicate the current lifespan of the filter cartridge. The number of illuminated bars gradually decreases as the cartridge's lifespan diminishes. When the lifespan is exhausted, all bars will blink simultaneously, indicating that it is time to replace the filter cartridge.

Cartridge components	Function
PP sediment filter	Removes suspended particles, colloids, etc.
Activated carbon filter	Removes odour, colour, and taste; absorbs chlorine, heavy metals, etc.
Ultrafiltration membrane	Removes suspended particles, colloids, viruses, bacteria, etc., with a filtration accuracy of up to 0.001 microns.
Recommended lifespan	3–6 months

Replacing the cartridges

1. Remove the feed water tank (Fig. A), turn the old filter cartridge 90° counterclockwise, and pull it out (Fig. B).
2. Insert a new filter cartridge and turn it 90° clockwise (Fig. C).
3. Reinsert the feed water tank into the device (Fig. D).

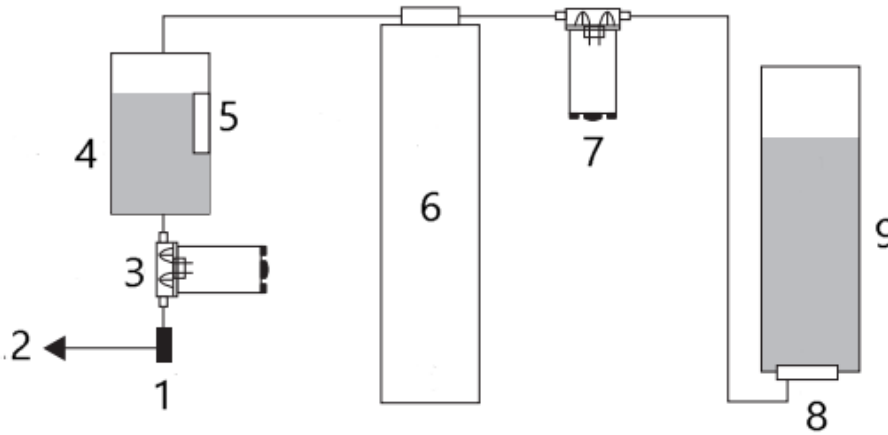


Nº	Name	Nr.	Bezeichnung
1	Feed water tank	3	Filter cartridge
2	Filter cartridge	4	Feed water tank

Resetting the cartridge

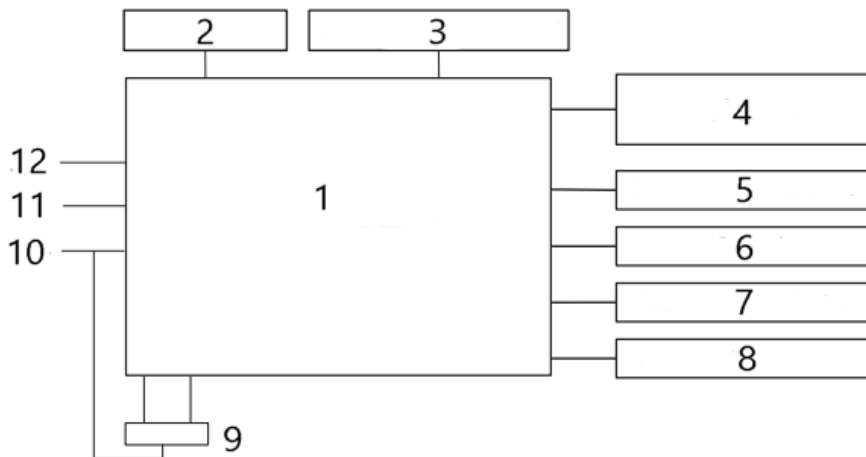
After turning on the device, press and hold the Continuous Operation button and the Dispense button simultaneously for 3 s. You will hear a beep, indicating that the reset is complete.

Water flow diagram



Nº	Name	Nº	Name
1	Heating element	6	Filter cartridge
2	Water outlet	7	Pump
3	Pump	8	Float Switch
4	Purified water tank	9	Feed water tank
5	Float switch		

Electrical-wiring diagram.



Nº	Name	Nº	Name
1	Main control board	7	Water-tank NTC probe
2	RGB-light panel	8	Water-outlet NTV probe
3	Water-level detection board	9	Heating element 1500 W / 2000 W
4	Control panel	10	Neutral wire
5	24-V water-production motor	11	Ground wire
6	12-V water-pump motor	12	Phase wire



Troubleshooting

Problem	Possible cause	Proposed solution
Device is giving an alarm, and water shortage indicator is on	Feed water tank or purified water tank empty	Refill feed-water tank and ensure that it is correctly positioned.
Device is in water-production mode, but no water is being dispensed	Filter cartridge clogged or not installed correctly	Replace filter cartridge or install it correctly.
Device is not heating	Circuit error	Contact a qualified electrician to replace circuit.
	Faulty hot-water tank	Contact a qualified electrician to replace hot-water tank.
	Faulty control board	Contact a qualified electrician to replace control board.
Display showing "E1"	Faulty temperature sensor (NTC probe)	Contact a qualified electrician to replace temperature sensor (NTC probe).

Disposal regulations

EU guidelines regarding the disposal of scrap electric appliances (WEEE, 2012/19/EU) were implemented in the law related to electrical and electronic equipment and appliances.

All WiTec electric devices that fall under the WEEE regulations are labelled with the crossed-out wheeled waste bin logo. This logo indicates that this electric equipment must not be disposed with the domestic waste.

The company WiTec Technik GmbH has been registered in the German registry EAR under the WEEE-registration number DE45283704.

Disposal of used electrical and electronic appliances (intended for use in the countries of the European Union and other European countries with a separate collection system for these appliances).

The logo on the article or on its packaging points out that this article must not be treated as normal household waste but must be disposed to a recycling collection point for electronic and electrical waste equipment. By contributing to the correct disposal of this article you protect the environment and the health of your fellow men. Environment and health are threatened by inappropriate disposal.



Material recycling helps reduce the consumption of raw materials.

Additional information on recycling this article can be provided by your local community, municipal waste disposal facilities, or the store where you purchased the article.

Address:
WiTec Wildanger Technik GmbH
Königsbenden 12 / 28
D-52249 Eschweiler

Important notice:

The reprint or reproduction, even of excerpts, and any commercial use, even in part, of this instruction manual require the written permission of WiTec Wildanger Technik GmbH.