

Operating instructions

Hoist Winch

64721-64723

wiltec



Illustration similar, may vary depending on model

Please read and follow the operating instructions and safety information prior to initial operation.

Technical changes reserved!

Illustrations, functional steps, and technical data may deviate insignificantly due to continuous further developments.



The information contained in this document may alter at any time without prior notice. No part of this document may be copied or otherwise duplicated without prior written consent. All rights reserved.

WilTec Wildanger Technik GmbH cannot be held liable for any possible mistakes in this operating manual, nor in the diagrams and illustrations shown.

Although WilTec Wildanger Technik GmbH has made every possible effort to ensure that this operating manual is complete, accurate, and up-to-date, errors cannot be ruled out entirely.

If you have found an error or wish to suggest an improvement, we look forward to hearing from you.

Send us an e-mail to:

service@wiltec.info

or use our contact form:

<https://www.wiltec.de/contacts/>

The most recent version of this manual in several languages can be found in our online shop:

<https://www.wiltec.de/docsearch>

Our postal address is:

WilTec Wildanger Technik GmbH
Königsbenden 12
52249 Eschweiler – Germany

To return your goods for exchange, repair, or other purposes, please use the following address. Attention! To allow for a trouble-free complaint or return, it is important to contact our customer service team before returning your goods.

Retourenabteilung
WilTec Wildanger Technik GmbH
Königsbenden 28
52249 Eschweiler – Germany

E-mail: **service@wiltec.info**

Tel: +49 2403 55592-0

Fax: +49 2403 55592-15

Introduction

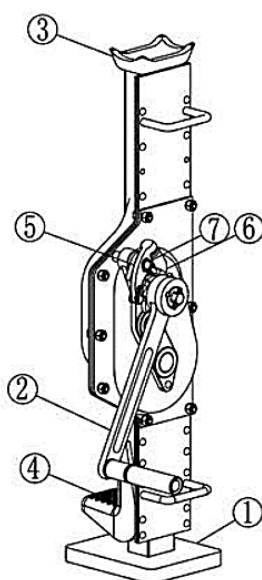
Thank you for choosing to purchase this quality product. To minimise the risk of injury, we ask you to always take some basic safety precautions when using this product. Please read this operating manual carefully and make sure that you understand it.

Keep these operation instructions in a safe place.

Information on the product

The hoist winch is designed according to the principle of mechanical transmission. It is one of the best lifting tools used for repairs, supporting, etc. The lifting or lowering speed is adjustable.

The high-quality all-steel construction makes the winch safe and durable. The compact design with foldable lever allows easy operation and maintenance.



No	Name	No	Name
1	Base	5	Upper pawl
2	Lever	6	Lower pawl
3	Upper carrier	7	Axle ring
4	Lower carrier		

Operation

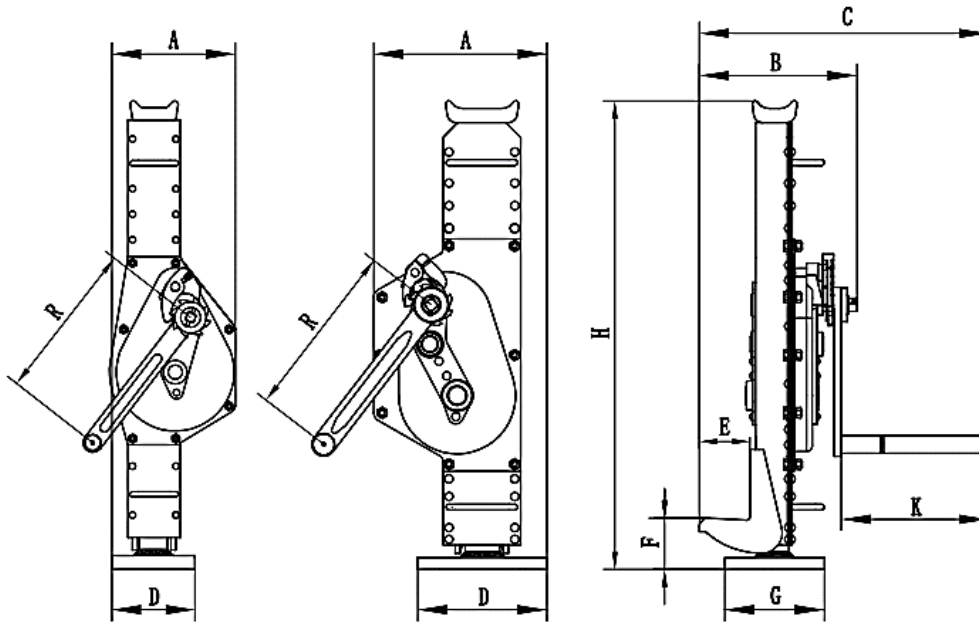
1. Set up the hoist on a level surface.
2. Place the load on the lower **(4)** or upper **(3)** carrier.
3. Turn the lever **(2)** clockwise to lift the load. Turn the lever **(2)** anticlockwise to lower the load.

Attention!

- Do not exceed the nominal load capacity. Overloading is forbidden.
- Before use, check the mobility of the pawls **(5, 6)**.
- Make sure that the hoist is fully balanced during operation. Do not place it on sloping, curved, or uneven surfaces. The winch must be placed on a solid surface.
- If several winches are used at the same time, make sure that they are the same height or depth. The whole process should be controlled.

- It is forbidden to bring body parts under the lifted load.
- If the load during operation is unusual, stop operation immediately to check all associated transmission elements.
- Lubricate the components regularly.
- The upper carrier (3) should be in the down position when the winch is not in use.

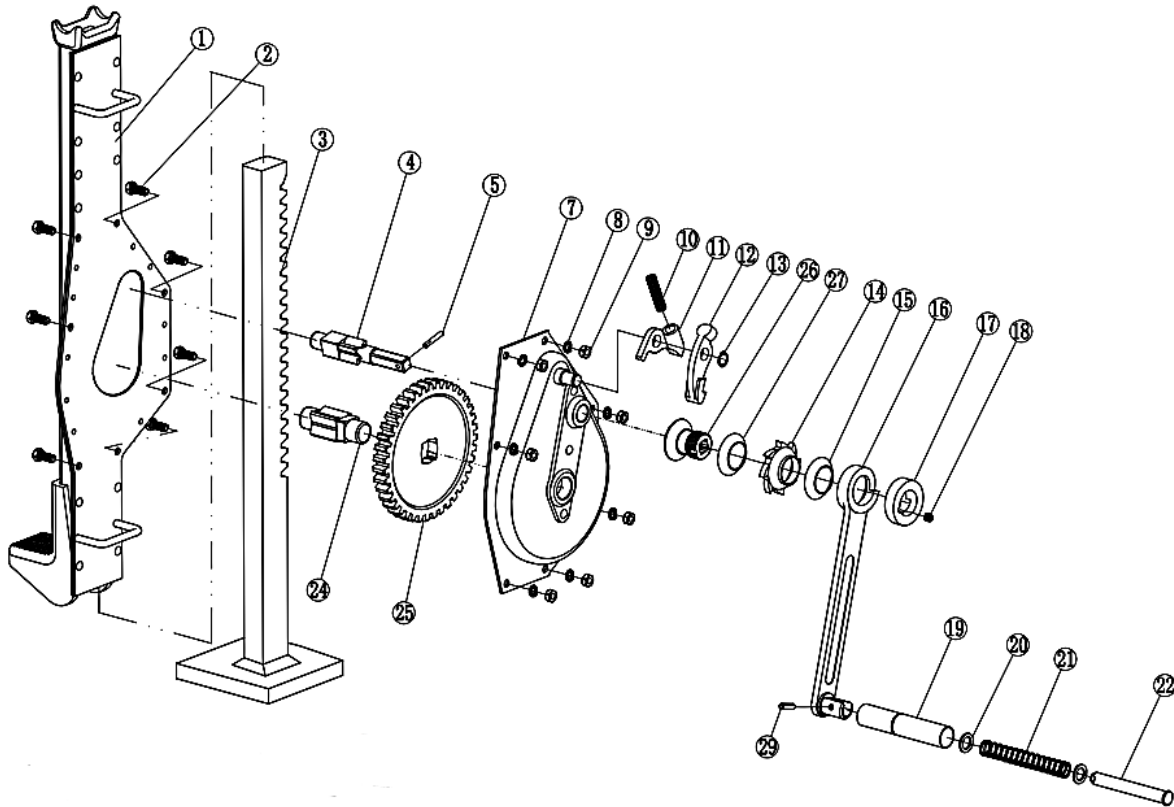
Technical specifications



		64721	64722	64723
Nominal capacity (kg)		1500	3000	5000
Test capacity (kN)		18.4	36.8	61.3
Max. load (N)		150	280	280
Lifting (mm)		300	350	350
Min. lifting height (mm)	F	60	70	80
	H	600	730	730
Size (mm)	A	163	197	189
	B	190	200	239
	C	273	296	335
	D	100	130	140
	E	55	60	71
	G	110	140	170
	K	113	127	127
	R	225	250	250

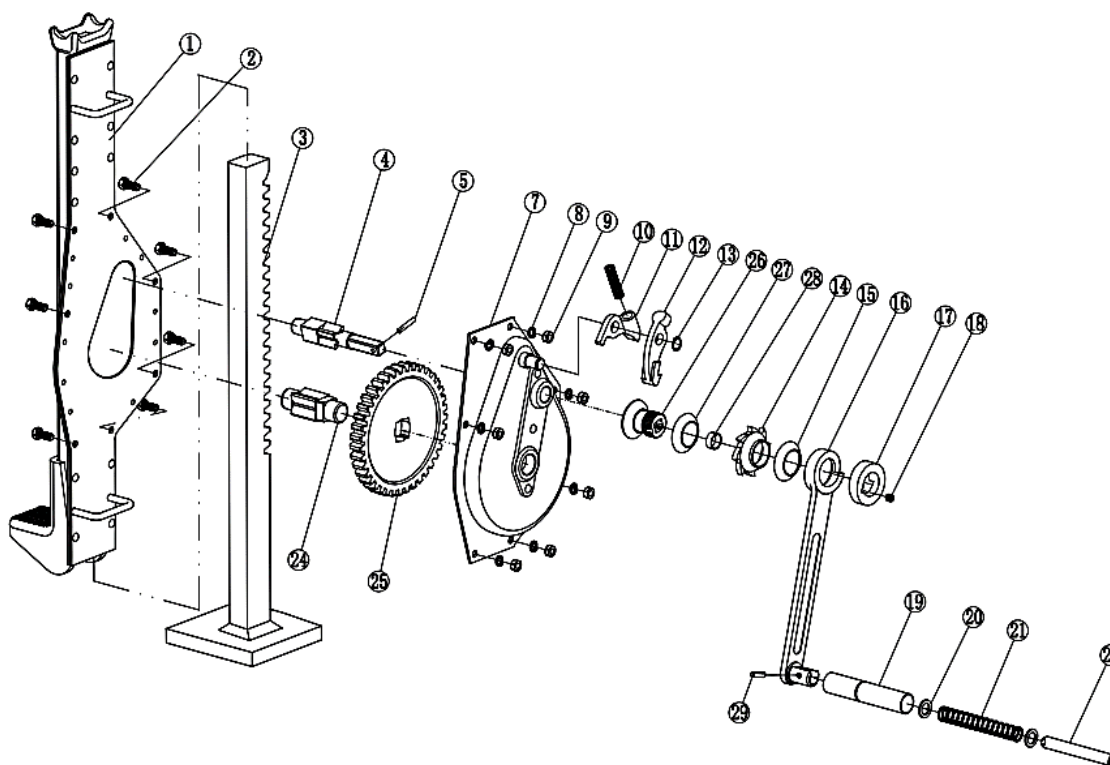
Exploded views

64721



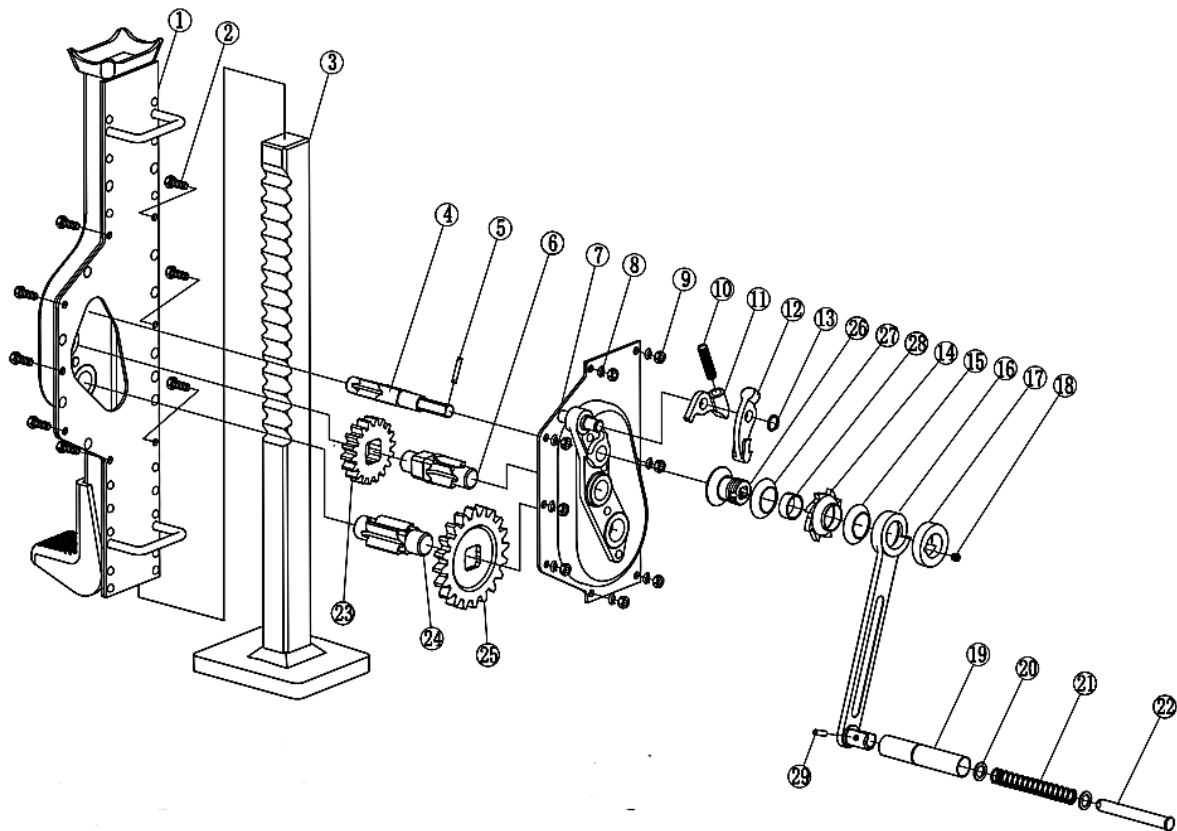
No	Name	No	Name
1	Winch body	16	Lever
2	Screw	17	Counter nut
3	Pinion	18	Screw
4	Axle	19	Handle sleeve
5	Elastic pen	20	Washer
6	—	21	Spring
7	Left holder	22	Spring pin
8	Washer	23	—
9	Nut	24	Axle
10	Pawl spring	25	Gear box
11	Lower pawl	26	Axle seat
12	Upper pawl	27	Washer
13	Axle ring	28	—
14	Ratchet and pawl	29	Locking spring
15	Pawl washer	30	—

64722



No	Name	No	Name
1	Winch body	16	Lever
2	Screw	17	Counter nut
3	Pinion	18	Screw
4	Axle	19	Handle sleeve
5	Elastic pen	20	Washer
6	—	21	Spring
7	Left holder	22	Spring pin
8	Washer	23	—
9	Nut	24	Axle
10	Pawl spring	25	Gear box
11	Lower pawl	26	Axle seat
12	Upper pawl	27	Washer
13	Axle ring	28	Sleeve
14	Ratchet and pawl	29	Locking spring
15	Pawl washer	30	—

64273



No	Name	No	Name
1	Winch body	16	Lever
2	Screw	17	Counter nut
3	Pinion	18	Screw
4	Axle	19	Handle sleeve
5	Elastic pen	20	Washer
6	Axle (1)	21	Spring
7	Left holder	22	Spring pin
8	Washer	23	Gear (1)
9	Nut	24	Axle (2)
10	Pawl spring	25	Gear (2)
11	Lower pawl	26	Axle seat
12	Upper pawl	27	Washer
13	Axle ring	28	Sleeve
14	Ratchet and pawl	29	Locking spring
15	Pawl washer	30	—

Important note: Reproduction and any commercial use (of parts) of this operating manual, requires a written permission of WilTec Wildanger Technik GmbH.